

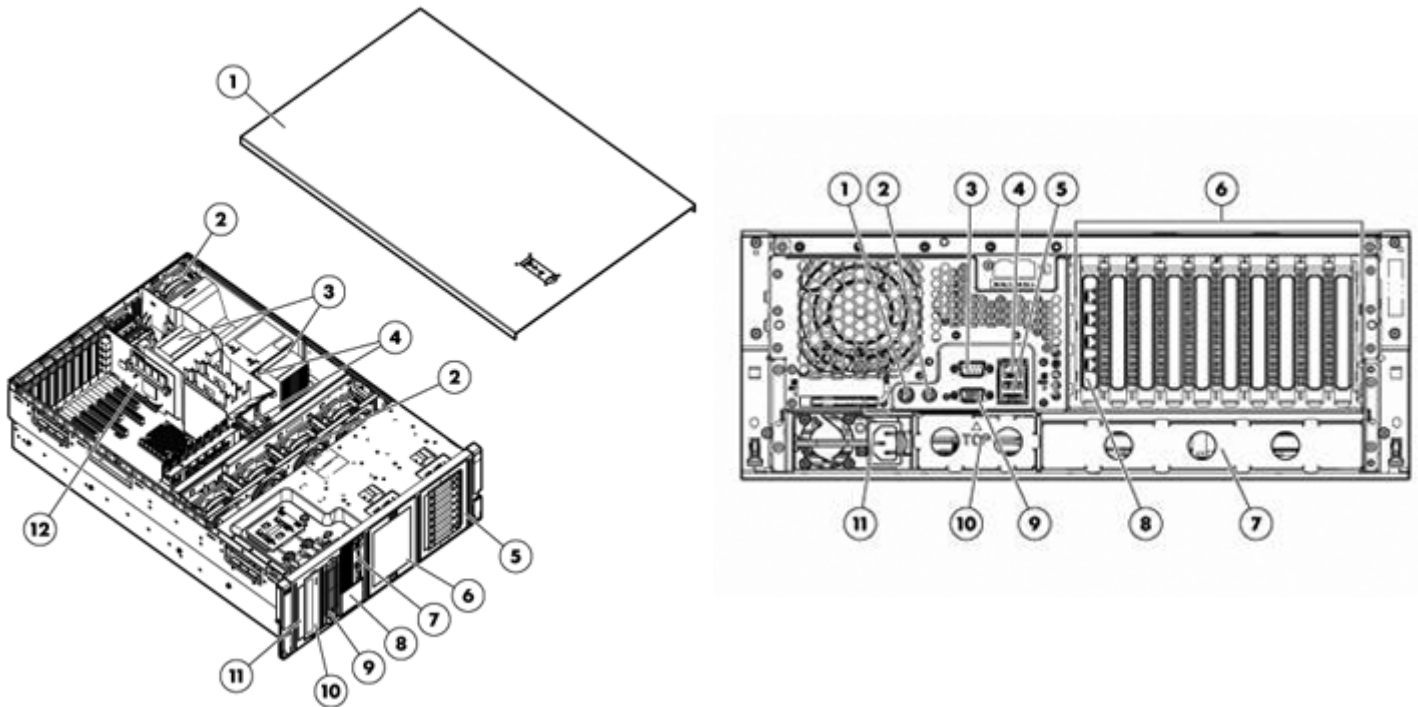
QuickSpecs

HP ProLiant DL370 Generation 6 (G6) HP ProLiant ML370 Generation 6 (G6)

Overview

The next generation of the HP ProLiant ML370 (expandable tower chassis) and the new HP ProLiant DL370 (4U rack optimized chassis) deliver Industry-leading management tools, leading performance, expandability, flexibility and the latest energy efficient technologies. These servers are well-suited for deployment in growing businesses, remote office sites, or datacenters and have been designed to bring you (our customer) the utmost confidence to run your business.

HP ProLiant DL370 G6 (Rack)



Front View:

1. Quick removal access panel
2. Three Hot-plug fans (standard) Five (optional)
3. Intel Six or Quad-Core Processor (Performance model includes two processors)
4. Eighteen slots for DDR3 Registered or Unbuffered Memory
5. SAS/SATA drive cage
6. Optional drive cage bay
7. Power on/standby button, video connector and two USB connectors
8. System Insight Display
9. Removal media bay
10. DVD-ROM drive
11. Optional slimline optical drive bay
12. 9 Available PCI-Express Gen2 slots; PCI-X (optional)

Rear View:

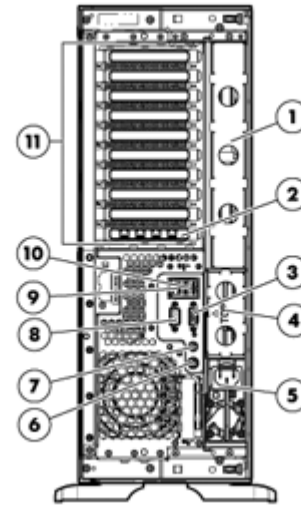
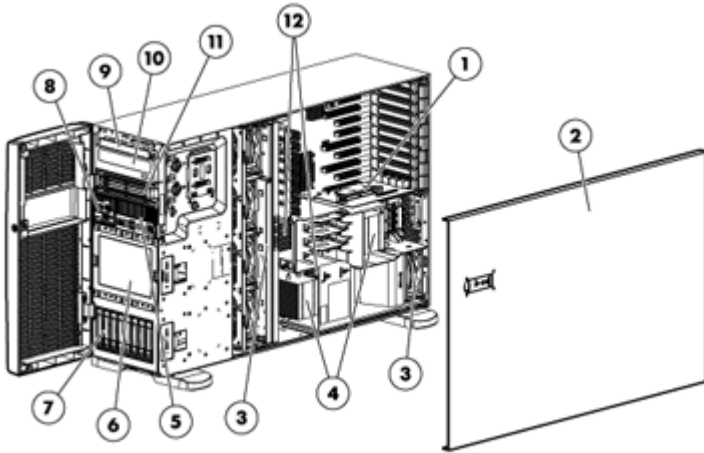
1. Mouse connector
2. Keyboard connector
3. Serial connector
4. iLO 2 connector
5. Two USB connectors
6. 9 Available PCI-Express Gen2 expansion slots; PCI-X (optional)
7. PCI-X Expansion slot riser bay
8. Four NIC connectors
9. Video connector
10. Power supply bay 2
11. Power supply bay 1 (populated)

QuickSpecs

HP ProLiant DL370 Generation 6 (G6) HP ProLiant ML370 Generation 6 (G6)

Overview

HP ProLiant ML370 G6 (Tower)



Front View:

1. 9 Available PCI-Express Gen2 slots; PCI-X (optional)
2. Quick removal access panel - Tool-less access to all system components for easy in rack serviceability
3. Three Hot-plug fans (standard) Five (optional)
4. Intel Six or Quad-Core Processor (Performance model includes two processors)
5. Power on/standby button
6. Optional drive cage bay
7. SAS/SATA drive cage
8. System Insight Display for quick and easy server diagnostics
9. Optional slimline optical drive bay
10. DVD-ROM drive
11. Removal media bay
12. Eighteen slots for DDR3 Registered or Unbuffered Memory

Rear View:

1. PCI-X Expansion slot riser bay
2. Four NIC connectors
3. Video connector
4. Power supply bay 2
5. Power supply bay 1 (populated)
6. Mouse connector
7. Keyboard connector
8. Serial connector
9. iLO 2 connector
10. Two USB connectors
11. 9 Available PCI-Express Gen2 expansion slots; PCI-X (optional)

What's New

- Support for new HP hard drives, UPS and NIC

QuickSpecs

HP ProLiant DL370 Generation 6 (G6) HP ProLiant ML370 Generation 6 (G6)

Standard Features

NOTE: For the Standard Features shipped in the "Factory Integrated Models", please see the "Configuration Information - Factory Integrated Models" section.

Processor

One of the following depending on Model

Six-Core Processors

Intel® Xeon® X5690 (3.46GHz/6-core/12MB/130W, DDR3-1333, HT, Turbo 1/1/1/1/2/2) Processor

Intel® Xeon® X5675 (3.06GHz/6-core/12MB/95W, DDR3-1333, HT, Turbo 2/2/2/2/3/3) Processor

Intel® Xeon® X5660 (2.80GHz/6-core/12MB/95W, DDR3-1333, HT, Turbo 2/2/2/2/3/3) Processor

Intel® Xeon® X5650 (2.66GHz/6-core/12MB/95W, DDR3-1333, HT, Turbo 2/2/2/2/3/3) Processor

Intel® Xeon® E5649 (2.53GHz/6-core/12MB/80W, DDR3-1333, HT, Turbo 1/1/1/1/2/2) Processor

Intel® Xeon® E5645 (2.40GHz/6-core/12MB/80W, DDR3-1333, HT, Turbo 1/1/1/1/2/2) Processor

Quad-Core Processors

Intel® Xeon® X5687 (3.60GHz/4-core/12MB/130W, DDR3-1333, HT, Turbo 1/1/2/2) Processor

Intel® Xeon® X5667 (3.06GHz/4-core/12MB/95W, DDR3-1333, HT, Turbo 2/2/3/3) Processor

Intel® Xeon® E5620 (2.40GHz/4-core/12MB/80W, DDR3-1066, HT, Turbo 1/1/2/2) Processor

Intel® Xeon® X5560 (2.80GHz/4-core/8MB/95W, DDR3-1333, HT, Turbo 2/2/3/3) Processor

Intel® Xeon® X5550 (2.66GHz/4-core/8MB/95W, DDR3-1333, HT, Turbo 2/2/3/3) Processor

Intel® Xeon® E5540 (2.53GHz/4-core/8MB/80W, DDR3-1066, HT, Turbo 1/1/2/2) Processor

Intel® Xeon® E5530 (2.40GHz/4-core/8MB/80W, DDR3-1066, HT, Turbo 1/1/2/2) Processor

Intel® Xeon® E5520 (2.26GHz/4-core/8MB/80W, DDR3-1066, HT, Turbo 1/1/2/2) Processor

Intel® Xeon® E5607 (2.26GHz/4-core/8MB/80W, DDR3-1066) Processor

Intel® Xeon® E5606 (2.13GHz/4-core/8MB/80W, DDR3-1066) Processor

Intel® Xeon® E5506 (2.13GHz/4-core/4MB/80W, DDR3-800) Processor

Intel® Xeon® E5504 (2.00GHz/4-core/4MB/80W, DDR3-800) Processor

Intel® Xeon® E5603 (1.60GHz/4-core/4MB/80W, DDR3-1066) Processor

Intel® Xeon® L5630 (2.13GHz/4-core/12MB/40W, DDR3-1066, HT, Turbo 1/1/2/2) Processor

Intel® Xeon® L5520 (2.26GHz/4-core/8MB/60W, DDR3-1066, HT, Turbo 1/1/2/2) Processor

Dual-Core Processors

Intel® Xeon® E5502 (1.86GHz/2-core/4MB/80W, DDR3-800) Processor

Intel® Xeon® E5603 (1.60GHz/4-core/4MB/80W) Processor

NOTE: Up to 2 processors supported. Performance configurations include two processors. Mixing different processor models is not supported.

NOTE: HT indicates that the processor model supports Intel® Hyper-Threading Technology.

NOTE: Turbo indicates the maximum potential frequency increment when using Intel® Turbo Boost Technology, with 4, 3, 2, and 1 cores active.

NOTE: DDR3 speed is the maximum memory speed of the processor. Actual memory speed may depend on the quantity and type of DIMMs installed.

NOTE: For the Intel 5600 and 5500 Series, the letter preceding the model number indicates the performance/wattage of the processor. "X" denotes High Performance/Wattage; "E" denotes Enterprise Performance/Wattage (Mainstream); and "L" denotes Lower Wattage.

QuickSpecs

HP ProLiant DL370 Generation 6 (G6) HP ProLiant ML370 Generation 6 (G6)

Standard Features

Cache Memory

One of the following
depending on Model

12MB (1 x 12MB) Level 3 cache

8MB (1 x 8MB) Level 3 cache

4MB (1 x 4MB) Level 3 cache

NOTE: Cache size is dependent on processor.

Chipset

Intel® 5520 chipset

NOTE: For more information regarding Intel chipsets, please see the following URL:
<http://www.intel.com/products/server/chipsets/>.

Upgradeability

Upgradeable to two processors

Memory Protection

Advanced ECC

Mirroring mode

Lockstep mode

Online Spare mode

Memory

One of the following
depending on Model

Type DDR3 Registered (RDIMM) or Unbuffered (UDIMM)

Standard (Performance Models) 12GB (6 x 2GB) RDIMM

Standard (Base Models) 6GB (3 x 2GB) RDIMM

Standard (Entry Model) 4GB (2 x 2GB) RDIMM

Maximum (RDIMM) 384GB (12 x 32GB) for Registered Memory configurations

Maximum (UDIMM) 48GB (12 x 4GB) for Unbuffered Memory configurations

NOTE: If only one processor is installed, only half the DIMM slots are available.

NOTE: when populating with the 16GB and 32GB Memory Kits (Quad-Rank), only 12 DIMMs can be populated.

NOTE: Depending on the memory configuration and processor model, the memory speed may run at 1333MHz, 1066MHz, or 800MHz. Please see the Online Memory Configuration Tool at:
www.hp.com/go/ddr3memory-configurator.

NOTE: Kits described as LP include Low Power DIMMs. For more information on ProLiant Energy Efficient Features, see: www.hp.com/go/proliant-energy-efficient.

Network Controller

HP NC375i Integrated Quad Port Gigabit Server Adapter

QuickSpecs

HP ProLiant DL370 Generation 6 (G6) HP ProLiant ML370 Generation 6 (G6)

Standard Features

Expansion Slots

NOTE: Nine (9) available PCI-Express Gen2 expansion slots to provide you with the latest I/O performance; PCI-X (optional).

Expansion Slots #	Technology	Bus Width	Connector Width	Form Factor	Notes
1	PCIe	x4	x8	Half length, full height	
2	PCIe2	x4	x8	Full Length/Full Height	
3	PCIe2	x16	x16	Full Length/Full Height	
4	PCIe2	x4	x8	Full Length/Full Height	
5	PCIe2	x4	x8	Full Length/Full Height	
6	PCIe2	x8	x16	Full Length/Full Height	
7	PCIe2	x4	x8	Full Length/Full Height	
8	PCIe2	x16	x16	Full Length/Full Height	
9	PCIe2	x4	x8	Full Length/Full Height	
10	PCIe2	X8	X8	Half length, full height	Utilized by NIC controller "Use the correct model number for the NIC"
11	PCI-X	See note	See note	Full Length/Full Height	(optional) *Up to 64bits/133Mhz speed when only one device install in slot 11 and 12 *up to 64bits/100Mhz speed when both slot 11 and 12 are utilized.
12	PCI-X	See note	See note	Full Length/Full Height	(optional)

*Default bus assignment. Inserting cards with PCI bridges may alter the actual bus assignment number.

*Only PCI-X support is available in slot 4, supporting PCI-X cards. PCI legacy cards are not supported.



QuickSpecs

HP ProLiant DL370 Generation 6 (G6) HP ProLiant ML370 Generation 6 (G6)

Standard Features

Storage Controller

One of the following depending on Model

Entry Models	HP Smart Array P410i/256 MB Controller (RAID 0/1/1+0/5/5+0) NOTE: Entry Models available for ML370 G6 models only.
Base Models	HP Smart Array P410i/256 MB Controller (RAID 0/1/1+0/5/5+0)
Performance Models (487790-xx1 and 576411-xx1 Models)	HP Smart Array P410i/512 MB BBWC Controller (RAID 0/1/1+0/5/5+0/6)
Performance Model (595166-xx1 Model)	HP Smart Array P410i/1G FBWC Controller (RAID 0/1/1+0/5/5+0/6)

Available upgrades: 256MB, 512MB with BBWC, 512MB with FBWC, 1G with FBWC, Battery kit upgrade (for the 256MB cache), and Smart Array Advanced Pack (SAAP).

Internal Storage Devices

Diskette Drive	None Standard
Optical Drive	SATA DVD ROM (standard in all models)
Hard Drives	None Standard
Hard Drive Bays	(8) SFF SAS/SATA Hard Drive Bays Standard Up to (24) SFF SAS/SATA with optional drive cages (up to three 8 SFF drive cage can be installed)

NOTE: Two open half-height media bays available for tape drives, optical media, optional SAS HDD cage.

Maximum Internal Storage

Hot Plug SFF SAS	24TB	24 x 1TB
Hot Plug LFF SAS	42TB	14 x 3TB
Hot Plug SFF SAS SSD	19.2TB	24 x 800GB
Hot Plug SFF SATA SSD	9.6TB	24 x 400GB
Hot Plug LFF SATA SSD	5.6TB	14 x 400GB

NOTE: Up to 24 small form factor (SFF) or 14 large form factor (LFF) hot-plug drive bays to support Serial-attached SCSI (SAS) and Serial ATA (SATA) drives.

Interfaces

Serial	1 (rear)
Video	1 (+1 front video on rack models)
Network RJ-45 (Ethernet)	4 (rear)
ILO 2.0 remote management port	1
Keyboard	1
Pointing Device (Mouse)	1
SD slot	1
USB 2.0 Ports	5 (2 on the rear, 2 on the front, 1 internal)
Dedicated USB 2.0 Port	1 (available for DAT USB tape connectivity) NOTE: Internal USB ports are optimal for the attachment of HP DAT USB Internal Tape Drives

QuickSpecs

HP ProLiant DL370 Generation 6 (G6) HP ProLiant ML370 Generation 6 (G6)

Standard Features

Industry Standard Compliance	ACPI V2.0 Compliant PCI-Express Gen2 PXE Support WOL Support Microsoft® Logo certifications USB 2.0 Support SMBIOS 2.6.1
-------------------------------------	--

Server Power Cords

High voltage power cord ships standard with all part numbers. Localized cables included with geographic specific models in other world regions.

NOTE: ProLiant DL servers no longer ship standard with NEMA power cords (187335-001) that allow connection to 110V US wall outlets in a home or office. ProLiant DL servers are primarily connected to PDU's in data center racks so they now ship standard with only a PDU power cord (416151-B21). If a user wishes to power a ProLiant DL server using a 110V receptacle (NEMA-15), the above NEMA power cord must be ordered separately.

Common Slot Power Supplies

The Common Slot (CS) Power Supply provides the customer with commonality in power supplies across multiple platforms to save on the cost of spares and allows HP to offer multiple power solutions to fit the customers' needs. Many HP ProLiant Servers come with or are compatible with high-efficiency HP CS Power Supplies. These power supplies are designed to provide high-efficiency power without degrading performance of the ProLiant server. All HP Common Slot power supplies are hot-plug and meet the requirements for UL and CE Mark Compliance.

It is highly recommended that you use the HP Power Advisor in defining the "Right-Size" power supply for your needs.

HP's ProLiant Common Slot Power supplies (460W & 750W) meet multiple Energy Efficiency Initiatives including Climate Savers Computing Initiative (CSCI) GOLD and ECOS Consulting/80PLUS GOLD certifications.

The HP 1200W CS Power Supply meets multiple Energy Efficiency Initiatives including CSCI Silver and ECOS Consulting/80PLUS Silver certifications.

Redundant Power: Optional (1 + 1 redundant) power supplies can be purchased through power supply option kits (see Redundant Options for part numbers).

System Fans

(3) Hot Plug fans ship standard

NOTE: For full redundancy you can purchase the HP ML370 G6 and DL370 G6 Redundant Fan Kit; PN: 508107-B21. Under the redundant fan configuration, only a single hot-pluggable fan can be replaced without having to power down the server.

QuickSpecs

HP ProLiant DL370 Generation 6 (G6) HP ProLiant ML370 Generation 6 (G6)

Standard Features

Operating Systems and Virtualization Software Support for ProLiant Servers

[Microsoft Windows Server](#)
[Red Hat Enterprise Linux \(RHEL\)](#)
[SUSE Linux Enterprise Server \(SLES\)](#)
[Oracle Solaris](#)
[VMware](#)
[HP Citrix Essentials for XenServer](#)

NOTE: For more information on HP's Certified and Supported ProLiant Servers for OS and Virtualization Software and latest listing of software drivers available for your server including how to purchase from HP, please visit our OS Support Site at: <http://www.hp.com/go/ossupport> and our driver download page: <http://www.hp.com/support/DL370G6>

Required Cabling

For storage device cabling information, refer to the HP ProLiant ML/DL370 G6 Server User Guide: http://www.hp.com/support/DL_ML370G6_UG_en

Graphics

Integrated ATI RN50, 64 MB video standard

- 16 bit color: maximum resolution of 1600 x 1200
- 32 bit color: maximum resolution of 1280 x 1024

NOTE: Maximum resolution available via iLO 2 remote console is 1280 x 1024.

Graphics Cards: Supports up to 2 x 225W Graphic Cards via HP ML370 G6 and DL370 G6 Graphic Card Cable Kit, 537721-B21

NOTE: Supports HP Quadro 4000 PCIe Graphics Kit (655933-B21) and HP Quadro 6000 PCIe Graphics Kit (655935-B21), selection of which requires HP 1200W CS Slvr Ht Plg Pwr Supply Kit

NOTE: HP Quadro 6000 PCIe Graphics Kit (655935-B21) is a dual slot graphics kit and occupies 2 slot

NOTE: Please see the HP Power Advisor for estimated power consumption of your individual system configuration prior to installing GPUs. The HP Power Advisor is located at:

www.hp.com/go/hppoweradvisor.

NOTE: 2 PCIe Gen2 x16 (mechanical/electrical); 1 PCIe Gen2 x16 (mechanical) x8 (electrical)

Form Factor

4U Tower Chassis and 4U Rack Optimized Chassis (7 in, 17.8 cm)

NOTE: Redesigned 4U Tower Chassis and the new 4U Rack Optimized Chassis to better meet our customer's density requirements.

HP Insight Software

HP Service Pack for ProLiant

HP Service Pack for ProLiant (SPP) and HP Smart Update Manager (HP SUM) version 5 provide a new, comprehensive approach to firmware and system software maintenance. Together they provide better operating stability and ensure maximum uptime. The SPP will be updated at a predictable cadence, typically coinciding with new HP server hardware launches. By enabling firmware to be updated online and integrating firmware and system software updates in one operation HP SUM and the SPP offer faster updates of individual servers and dramatically faster updates of entire BladeSystem enclosures. Further improving system uptime and stability is the fact that HP provides 12 months of support on each Service Pack for ProLiant.

The user experience around HP SUM and the SPP has been improved in several



QuickSpecs

HP ProLiant DL370 Generation 6 (G6) HP ProLiant ML370 Generation 6 (G6)

Standard Features

ways, starting with the web download. A single web page provides access to a single download containing both the latest version of HP SUM version 5 and the latest SPP. Optional smaller subsets with only specific types of servers or specific operating systems are offered to save on download time. The HP SUM application has been re-written to provide a more straightforward, intuitive user interface that guides the user through the steps of discovery, analyses and update, providing comprehensive information on available updates, criticality and interdependencies. This information is also available in reports. By providing the option of multiple local or shared repositories which can be easily updated from hp.com, HP SUM provides the tools to optimize stability and consistency throughout the company. While HP SUM and the SPP will recommend the combinations of firmware and system software that HP has found to be the best practice, the application gives customers the flexibility to set their own specific baseline.

The Service Pack for ProLiant has been rigorously tested with specific attention for interaction between firmware, drivers and agents both within the server as well as in interaction with the BladeSystem enclosure components (Onboard Administrator and Virtual Connect). This testing ensures the highest quality as well as providing the input for HP SUM to deploy updates taking into account all interdependencies, when determining the correct updates and order of update deployment.

The Service Pack for ProLiant (which includes HP SUM 5) can be downloaded from: www.hp.com/go/spp/download. More information can be found: <http://www.hp.com/go/spp> and <http://www.hp.com/go/hpsum>

HP Insight Foundation

Insight Foundation is being baselined at version v8.70 which means the following:

- Its Media Kit (contains 2 SmartStart CDs, the Firmware DVD, and the Management DVD) will continue to ship with all supported ProLiant G7 or earlier BTO servers until the last supported server is no longer shipping.
- The Media Kit will not be updated past version 8.70.
- ProLiant G7 or earlier CTO servers are able to order the Media Kit with the understanding that the media is not updated. Please check specific server QuickSpecs for availability of CTO Kit.
- PSP and Firmware DVD downloads will be updated through 2Q 2012 at the HP Insight Foundation Suite for ProLiant downloads tab:

<http://www.hp.com/go/foundation>

Customers are urged to use the replacement product, HP Service Pack for ProLiant, instead of Insight Foundation Suite which is found at these location:

www.hp.com/go/spp

www.hp.com/go/spp/download

HP Integrated Lights-Out (iLO)

HP Integrated Lights-Out (iLO) simplifies server setup, health monitoring, power and thermal control, and lights-out remote administration of ProLiant ML, DL, and BL servers. HP iLO functions without additional software and can be accessed from any location via a web browser. HP iLO works hand-in-hand with HP Systems Insight Manager, Insight Control suites, and Insight Dynamics for ProLiant, helping customers unleash the value of the ProLiant platform



QuickSpecs

HP ProLiant DL370 Generation 6 (G6) HP ProLiant ML370 Generation 6 (G6)

Standard Features

and deliver the highest possible quality of IT service. For more information, visit: www.hp.com/go/iLO

Security

Power-on password
Keyboard password
Diskette drive control
Diskette boot control
QuickLock, Network Server Mode
Serial interface control
Administrator's password

Warranty

This product is covered by a global limited warranty and supported by HP Services and a worldwide network of HP Authorized Channel Partners resellers. Hardware diagnostic support and repair is available for three years from date of purchase. Support for software and initial setup is available for 90 days from date of purchase. Enhancements to warranty services are available through HP Care Pack services or customized service agreements. Hard drives have either a one year or three year warranty; refer to the specific hard drive QuickSpecs for details.

NOTE: Server Warranty includes 3-Year Parts, 3-Year Labor, 3-Year Onsite support with next business day response. Warranty repairs may be accomplished through the use of Customer Self Repair (CSR) parts. These parts fall into two categories: 1) Mandatory CSR parts are designed for easy replacement. A travel and labor charge will result when customers decline to replace a Mandatory CSR part; 2) Optional CSR parts are also designed for easy replacement but may involve added complexity. Customers may choose to have HP replace Optional CSR parts at no charge. Additional information regarding worldwide limited warranty and technical support is available at:

<http://h18004.www1.hp.com/products/servers/platforms/warranty/index.html>

QuickSpecs

HP ProLiant DL370 Generation 6 (G6) HP ProLiant ML370 Generation 6 (G6)

Optional Features

HP Insight management software

HP Insight Control

HP Insight Control, a product option, delivers essential infrastructure management that can help save time and money by making it easy to deploy, migrate, monitor, remote control, and optimize your IT infrastructure through a single, simple management console.

Two versions of Insight Control are available, to serve environments requiring either a Linux-based or a Windows-based central management server: HP Insight Control for Linux, and HP Insight Control. See

www.hp.com/go/insightcontrol

HP Insight Control includes one year of 24 x 7 HP Software Technical Support and Update Service ensuring rapid access to HP support staff and proactive delivery of software updates. For more information about this service, please visit: <http://www.hp.com/services/insight>.

HP Insight Dynamics for ProLiant

HP Insight Dynamics for ProLiant, a product option, is advanced infrastructure management software that enables IT staff to instantly adjust their environments to meet dynamic business demands by provisioning, optimizing and protecting complex infrastructure in minutes. It's a powerful toolkit, integrated-by-design, that accelerates complex technology projects and simplifies daily operations, transforming data center economics. With Insight Dynamics IT professionals can plan capacity and power continuously, balance workloads across physical and virtual resources, and ensure cost-effective high availability. It also enables IT organizations to provision infrastructure consistently and automatically from pools of shared resources using a self-service portal. Resources provisioned can range from a single virtual machine to complex multi-tier environments and their associated physical and virtual resource requirements. In addition to the previous functional benefits, it also provides a cost-effective disaster recovery for physical and virtual environments that works with HP Continuous Access software for both the Enterprise Virtual Array and the XP storage array allowing application environments to be reactivated in minutes with the touch of a button to a remote location.

NOTE: For more information, visit: <http://www.hp.com/go/insightdynamics>

QuickSpecs

HP ProLiant DL370 Generation 6 (G6) HP ProLiant ML370 Generation 6 (G6)

Optional Features

High Performance Clusters

HP Cluster Platforms

HP Cluster Platforms are specifically engineered, factory-integrated large-scale ProLiant clusters optimized for High Performance Computing, with a choice of servers, networks and software. Operating system options include specially priced offerings for Red Hat Enterprise Linux and SUSE Linux Enterprise Server, as well as Microsoft Windows HPC Server. A Cluster Platform Configurator simplifies ordering. <http://www.hp.com/go/clusters>

HP HPC Interconnects

High Performance Computing (HPC) interconnect technologies are available for this server as part of the HP Cluster Platform portfolio. These high-speed InfiniBand and Gigabit interconnects are fully supported by HP when integrated within an HP cluster. Flexible, validated solutions can be defined with the help of configuration tools. <http://www.hp.com/techservers/clusters/ucp/index.html>

HP Cluster Management Utility

HP Cluster Management Utility (CMU) is an HP-licensed and HP-supported suite of tools that are used to manage large-scale Linux ProLiant systems. CMU includes software for the centralized provisioning, management and monitoring of nodes. CMU makes the administration of clusters user friendly, efficient, and effective. <http://www.hp.com/go/cmu>

HP HPC Linux Value Pack

HP HPC Linux Value Pack (Value Pack) is an HP-licensed and HP-supported specially priced software bundle for the development and deployment of applications on HPC Cluster Platforms. Value Pack includes the Platform HPC Enterprise Edition suite of tools including the LSF workload scheduler, the HP-MPI parallelization library. Also included are the HP Unified Parallel C compiler and the HP Shmem library, as well as the execution environments for the libraries and compiler. [HP HPC Linux Value Pack](#)

HP Insight Online

HP Insight Online is a new capability available through the HP Support Center portal for one stop, secure access to product and HP support information specific to your IT environment. Insight Online can automatically display devices remotely monitored by HP Insight Remote Support. With Insight Online's easy navigation you can efficiently track your IT support contracts and device status from anywhere and at anytime. www.hp.com/go/insightonline

HP Proactive Insight experience

Prevent problems with innovative, automated monitoring tools and proactive services. The HP Proactive Insight experience consist of using Insight Online, Insight Remote Support, and Proactive Care Support Service as one integrated solution. The Proactive Insight experience provides you with expert advice and personalized, cloud-based automated IT support, helping to prevent unplanned down time and solve problems quickly. For more information, visit: www.hp.com/go/proactiveinsightexperience

QuickSpecs

HP ProLiant DL370 Generation 6 (G6) HP ProLiant ML370 Generation 6 (G6)

Optional Features

Factory Express Portfolio for Servers and Storage HP Factory Express offers configuration, customization, integration and deployment services for HP servers and storage products. Customers can choose how their factory solutions are built, tested, integrated, shipped and deployed.

Factory Express offers service packages for simple configuration, racking, installation, complex configuration and design services as well as individual factory services, such as image loading, asset tagging, and custom packaging. HP products supported through Factory Express include a wide array of servers and storage: HP Integrity, HP ProLiant, HP ProLiant Server Blades, HP BladeSystem, HP 9000 servers as well as the MSAxxxx, VA7xxx, EVA, XP, rackable tape libraries and configurable network switches.

For more information on Factory Express services for your specific server model please contact your sales representative or go to: <http://www.hp.com/go/factory-express>.

HP Simple Configurator SCE is a guided self service tool to help sales and non technical people provide customers with initial configurations in 3 to 5 minutes. You may then send the configuration on for configuration help, or use in your existing ordering processes. If you require "custom" rack configuration or configuration for products not available in SCE, please contact HP's Customer Business Center or an Authorized Partner for assistance. <http://www.hp.com/products/configurator>

Service and Support

Service and Support

HP Technology Services for Industry Standard Servers and BladeSystem

Capitalizing on HP ProLiant server and HP BladeSystem capabilities requires a service partner who understands your increasingly complex business technology environment. That's why it makes sense to team up with the people who know HP infrastructure hardware and software best - the experienced professionals at HP Services.

What HP ProLiant and BladeSystem Services can do for you

HP ProLiant and BladeSystem Services can help you design, deploy, test, integrate, support, and manage IT and infrastructure solutions. This way, HP proposes services solutions that include more than just uplift of base warranty. You can get the support you need by choosing from one of a number of service packaged solutions we have designed to address wider set of customer support needs:

HP Technology Services meets business challenges with services offered in three packages - **Optimized Care Package, Standard Care Package, and Basic Care Package** - available for each product group. Such packaged solutions enable customers to optimize technology operations, minimize risk and drive better business outcomes with easy-to-buy, easy-to-use scalable support packages for servers, storage, networking and software.

Optimized Care

Optimized Care Package: Supports maintaining servers at optimum performance availability

HP ProLiant Server Hardware Installation

Provides for the basic hardware installation of HP branded servers, storage devices and networking options to assist you in bringing your new hardware into operation in a timely and professional manner <http://h20195.www2.hp.com/V2/GetPDF.aspx/5981-9356EN>

HP Installation and Startup for Insight Control Software

Provides for the deployment and basic configuration of HP Insight Control on HP ProLiant ML and DL series servers or HP BladeSystem servers <http://h20195.www2.hp.com/v2/GetPDF.aspx/4AA0-9972ENW.pdf>

3-Year HP Critical Advantage

Provides end-to-end infrastructure support solution for business critical applications running on virtualized/x86 infrastructures, enabling the customers to cost effectively build, operate, and continuously improve their IT environment <http://h20195.www2.hp.com/V2/GetDocument.aspx?docname=4AA3-1772ENW>

Additional Services: Microsoft or Linux or VMware education courses + Facility & technology environmental assessment services + Energy Efficiency Design, Factory Express

QuickSpecs

HP ProLiant DL370 Generation 6 (G6) HP ProLiant ML370 Generation 6 (G6)

Service and Support

Standard Care

Standard Care Package: Package that maintains high level of server availability

HP ProLiant Server Hardware Installation

Provides for the basic hardware installation of HP branded servers, storage devices and networking options to assist you in bringing your new hardware into operation in a timely and professional manner
<http://h20195.www2.hp.com/V2/GetPDF.aspx/5981-9356EN>

HP Installation and Startup for Insight Control Software

Provides for the deployment and basic configuration of HP Insight Control on HP ProLiant ML and DL series servers or HP BladeSystem servers <http://h20195.www2.hp.com/v2/GetPDF.aspx/4AA0-9972ENW.pdf>

3-Year HP 6 hour Hardware Support Onsite Call-to-Repair Service

Provides an IT manager with a team of support specialists who will quickly begin troubleshooting the system to help return the hardware to operating condition within 6 hours of the initial service request to the HP Global Solution Center
<http://h20195.www2.hp.com/V2/GetPDF.aspx/5982-6547EN.pdf>

3-Year , HP 24x7 Software Support for Insight Control

Provides for the deployment and basic configuration of HP Insight Control on HP ProLiant ML and DL series servers or HP BladeSystem servers
<http://h20195.www2.hp.com/V2/GetPDF.aspx/5981-6645EEE.pdf>

Additional Services: Software OS (Microsoft, Linux (SUSE/Red Hat) & VMware Installation & Start Up, and Software Support; Install and Startup Services for Insight Control; Microsoft or Linux or VMware education courses; +30 Proactive Select Credits, Factory Express

Basic Care

Basic Care Package: delivers minimum recommended support service level

HP ProLiant Server Hardware Installation

Provides for the basic hardware installation of HP branded servers, storage devices and networking options to assist you in bringing your new hardware into operation in a timely and professional manner
<http://h20195.www2.hp.com/V2/GetPDF.aspx/5981-9356EN>

3-Year HP 24x7 4 hour Response, Hardware Support Onsite Service

Provides for the deployment and basic configuration of HP Insight Control on HP ProLiant ML and DL series servers or HP BladeSystem servers
<http://h20195.www2.hp.com/v2/GetPDF.aspx/4AA0-9972ENW.pdf>

Additional Services: Software OS (Microsoft, Linux (SUSE/Red Hat) & VMware Installation & Start Up and Software Support); +10 Proactive Select Credits, Factory Express

Insight Remote Support

The packages include HP Insight Remote Support that uses proven technology to deliver secure, reliable 24x7 remote monitoring, diagnoses, and problem resolution. It is available at no additional cost to all warranty, HP Care Pack Service, and service agreement customers.

For more information

To learn more on HP ProLiant servers and HP BladeSystem servers, please contact your HP sales representative or HP Authorized Channel Partner. Or visit: <http://www.hp.com/services/proliant>



QuickSpecs

HP ProLiant DL370 Generation 6 (G6) HP ProLiant ML370 Generation 6 (G6)

Pre-configured Models

NOTE: For the Standard Features shipped in the "Factory Integrated Models", please see the "Configuration Information - Factory Integrated Models" section.

NOTE: Pre-configured models ship with the configurations below. Options can be selected from the Core or Additional options section of this QuickSpecs.

NOTE: HP does not allow factory integration of options into pre-configured models. Any additional options purchased will be shipped separately.

NOTE: If you desire a custom configuration please see "Configuration Information - Factory Integrated Models" section of this QuickSpecs.

NOTE: Not all models are available in all regions. Check with your local country HP offices for availability.

Base Rack Models

HP ProLiant DL370 G6 E5645 1P 6GB-R P410i/512 BBWC 8 SFF 750W PS Base Server 625590-xx1	Processor	(1) Intel® Xeon® E5645 (2.40GHz/6-core/12MB/80W, DDR3-1333, HT, Turbo 1/1/1/1/2/2) Processor
	Cache Memory	12MB (1 x 12MB) L3 cache
	Memory	6GB (3 x 2GB) PC3-10600 (DDR3-1333) Registered DIMMs NOTE: Total of 18 DIMM slots.
	Network Controller	HP NC375i Integrated Quad Port Gigabit Server Adapter
	Storage Controller	HP Smart Array P410i/512MB BBWC Controller
	Hard Drive	None ship standard
	Internal Storage	(8) SFF SAS/SATA HD Bays (Standard); Up to (24) SFF SAS/SATA with optional drive cage (up to three 8 SFF drive cage can be installed)
	Optical Drive	SATA DVD ROM
	Power Supply	(1) HP 750W Common Slot High Efficiency Power Supply Kit (hot plug, redundancy optional)
	Fans	(3) Hot Plug Fans
	Form Factor	4U Rack
	Warranty	Server Warranty includes 3-Year Parts, 3-Year Labor, 3-Year Onsite support with next business day response

Performance Rack Models

HP ProLiant DL370 G6 X5650 2P 12GB-R P410i/1GB FBWC 8 SFF 750W RPS Perf IC Svr 595166-xx1	Processor	(2) Intel® Xeon® X5650 (2.66GHz/6-core/12MB/95W, DDR3-1333, HT, Turbo 2/2/2/2/3/3) Processors
	Cache Memory	12MB L3 cache
	Memory	12GB (6 x 2GB) PC3-10600 (DDR3-1333) Registered DIMMs NOTE: Total of 18 DIMM slots.
	Network Controller	HP NC375i Integrated Quad Port Gigabit Server Adapter
	Storage Controller	HP Smart Array P410i/1GB FBWC Controller
	Hard Drive	None ship standard
	Internal Storage	(8) SFF SAS/SATA HD Bays (Standard); Up to (24) SFF SAS/SATA with optional drive cage (up to three 8 SFF drive cage can be installed)
	Optical Drive	SATA DVD ROM
	Power Supply	(2) HP 750W Common Slot High Efficiency Power Supply Kits (hot plug, redundant)



QuickSpecs

HP ProLiant DL370 Generation 6 (G6) HP ProLiant ML370 Generation 6 (G6)

Pre-configured Models

Insight Control	HP Insight Control No Media single server license, including 1 year of 24x7 Technical Support and Updates
Fans	(5) Fully Redundant Hot Plug Fans
Form Factor	4U Rack
Warranty	Server Warranty includes 3-Year Parts, 3-Year Labor, 3-Year Onsite support with next business day response

Base Tower Models

HP ProLiant ML370 G6 E5649 1P 6GB-R P410i/512 BBWC 8 SFF 750W PS Base Server 625589-xx1	Processor	(1) Intel® Xeon® E5649 (2.53GHz/6-core/12MB/80W, DDR3-1333, HT, Turbo 1/1/1/1/2/2) Processor
	Cache Memory	12MB (1 x 12MB) L3 cache
	Memory	6GB (3 x 2GB) PC3-10600 (DDR3-1333) Registered DIMMs NOTE: Total of 18 DIMM slots.
	Network Controller	HP NC375i Integrated Quad Port Gigabit Server Adapter
	Storage Controller	HP Smart Array P410i/512MB BBWC Controller
	Hard Drive	None ship standard
	Internal Storage	(8) SFF SAS/SATA HD Bays (Standard); Up to (24) SFF SAS/SATA with optional drive cage (up to three 8 SFF drive cage can be installed)
	Optical Drive	SATA DVD ROM
	Power Supply	(1) HP 750W Common Slot High Efficiency Power Supply Kit (hot plug, redundancy optional)
	Fans	(3) Hot Plug Fans
	Form Factor	4U Tower
	Warranty	Server Warranty includes 3-Year Parts, 3-Year Labor, 3-Year Onsite support with next business day response

Entry Tower Models

HP ProLiant ML370 G6 E5620 1P 4GB-R P410i/256 8 SFF 460W PS Entry Server 625591-xx1	Processor	(1) Intel® Xeon® E5620 (2.40GHz/4-core/12MB/80W, DDR3-1066, HT, Turbo 1/1/2/2) Processor
	Cache Memory	12MB (1 x 12MB) L3 cache
	Memory	4 GB (2 x 2 GB) PC3-10600 (DDR3-1333) Registered DIMMs NOTE: Total of 18 DIMM slots.
	Network Controller	HP NC375i Integrated Quad Port Gigabit Server Adapter
	Storage Controller	HP Smart Array P410i/256MB Controller
	Hard Drive	None ship standard
	Internal Storage	(8) SFF SAS/SATA HD Bays (Standard); Up to (24) SFF SAS/SATA with optional drive cage (up to three 8 SFF drive cage can be installed)
	Optical Drive	SATA DVD ROM
	Power Supply	(1) HP 460W HE 12V Hot Plug AC Power Supply Kit (hot plug, redundancy optional)
	Fans	(3) Hot Plug Fans



QuickSpecs

HP ProLiant DL370 Generation 6 (G6) HP ProLiant ML370 Generation 6 (G6)

Pre-configured Models

Form Factor	4U Tower
Warranty	Server Warranty includes 3-Year Parts, 3-Year Labor, 3-Year Onsite support with next business day response

Country Code Key

xx=00
xx=01
xx=03
xx=04
xx=05
xx=20
xx=29
xx=37
xx=42
xx=AA

Tower Code Key

U.S.
Australia
UK
Germany
France
Brazil
Japan
A/P
Europe
PRC

Rack Code Key

U.S.
N/A
N/A
N/A
N/A
Brazil
Japan
A/P
Europe
PRC

QuickSpecs

HP ProLiant DL370 Generation 6 (G6) HP ProLiant ML370 Generation 6 (G6)

Configuration Information - Factory Integrated Models

NOTE: This section lists some of the steps required to configure a Factory Integrated Model. To ensure only valid configurations are ordered, HP recommends the use of an HP approved configurator. Contact your local sales representative for information on configurable product offerings and requirements.

NOTE: Configure-to-order (CTO) servers must start with a CTO Chassis.

NOTE: FIO indicates that this option is only available as a factory installable option.

Step 1: Base Configuration (choose one of the following configurable models)

HP Models

HP ProLiant ML370 G6 Tower Models

HP ProLiant ML370 G6 SFF Configure-to-order Tower Server

483880-B21

NOTE: Supports Small Form Factor (SFF) - 2.5" Drives

Factory Integrated Model ships with:

HP NC375i Integrated Quad Port Gigabit Server Adapter
Integrated Lights-Out embedded
HP Smart Array P410i/Zero Memory Controller
(8) Hot-Plug (SFF) SAS/SATA Drive Bays
(9) available PCI-e Gen2 slots
(5) USB ports
(3) Hot Plug Fans
Tower Form Factor

HP ProLiant ML370 G6 Tower CTO Chassis

HP ProLiant ML370 G6 LFF Configure-to-order Tower Server

483879-B21

NOTE: Supports Large Form Factor (LFF) - 3.5" Drives

Factory Integrated Model ships with:

HP NC375i Integrated Quad Port Gigabit Server Adapter
Integrated Lights-Out embedded
HP Smart Array P410i/Zero Memory Controller
(6) Hot-Plug (LFF) SAS/SATA Drive Bays
(9) available PCI-e Gen2 slots
(5) USB ports
(3) Hot Plug Fans
Tower Form Factor

HP ProLiant DL370 G6 Rack Models

HP ProLiant DL370 G6 SFF Configure-to-order Rack Server

483874-B21

NOTE: Supports Small Form Factor (SFF) - 2.5" Drives

Factory Integrated Model ships with:

HP NC375i Integrated Quad Port Gigabit Server Adapter
Integrated Lights-Out embedded
HP Smart Array P410i/Zero Memory Controller
(8) Hot-Plug (SFF) SAS/SATA Drive Bays
(9) available PCI-e Gen2 slots
(5) USB ports
(3) Hot Plug Fans
4U Rack Form Factor

HP ProLiant DL370 G6 LFF Configure-to-order Rack Server

483873-B21

NOTE: Supports Large Form Factor (LFF) - 3.5" Drives

Factory Integrated Model ships with:



QuickSpecs

HP ProLiant DL370 Generation 6 (G6) HP ProLiant ML370 Generation 6 (G6)

Configuration Information - Factory Integrated Models

HP NC375i Integrated Quad Port Gigabit Server Adapter
Integrated Lights-Out embedded
HP Smart Array P410i/Zero Memory Controller
(6) Hot-Plug (LFF) SAS/SATA Drive Bays
(9) available PCI-e Gen2 slots
(5) USB ports
(3) Hot Plug Fans
4U Rack Form Factor

Step 2: Choose Required Options (only one of the following from each list)

HP Processors

NOTE: If High Performance Model features are desired, 2nd processor is included in the Performance Pack part numbers in Step 3 below.

Six-Core Processors

HP ML/DL370 G6 Intel® Xeon® X5690 (3.46GHz/6-core/12MB/130W) FIO Processor Kit	625071-L21
HP ML/DL370 G6 Intel® Xeon® X5675 (3.06GHz/6-core/12MB/95W) FIO Processor Kit	625073-L21
HP ML/DL370 G6 Intel® Xeon® X5660 (2.80GHz/6-core/12MB/95W) FIO Processor Kit	601322-L21
HP ML/DL370 G6 Intel® Xeon® X5650 (2.66GHz/6-core/12MB/95W) FIO Processor Kit	601323-L21
HP ML/DL370 G6 Intel® Xeon® E5649 (2.53GHz/6-core/12MB/80W) FIO Processor Kit	625075-L21
HP ML/DL370 G6 Intel® Xeon® E5645 (2.40GHz/6-core/12MB/80W) FIO Processor Kit	625077-L21

Quad-Core Processors

HP ML/DL370 G6 Intel® Xeon® X5687 (3.60GHz/4-core/12MB/130W) FIO Processor Kit	625072-L21
HP ML/DL370 G6 Intel® Xeon® X5672 (3.20GHz/4-core/12MB/95W) FIO Processor Kit	625074-L21
HP ML/DL370 G6 Intel® Xeon® E5620 (2.40GHz/4-core/12MB/80W) FIO Processor Kit	601326-L21
HP ML/DL370 G6 Intel® Xeon® E5607 (2.26GHz/4-core/8MB/80W) FIO Processor Kit	625078-L21
HP ML/DL370 G6 Intel® Xeon® E5606 (2.13GHz/4-core/8MB/80W) FIO Processor Kit	625079-L21
HP ML/DL370 G6 Intel® Xeon® L5630 (2.13GHz/4-core/12MB/40W) FIO Processor Kit	601328-L21
HP ML/DL370 G6 Intel® Xeon® E5603 (1.60GHz/4-core/4MB/80W) FIO Processor Kit	625080-L21

HP Memory

Registered DIMMs (RDIMMs)

HP 2GB (1x2GB) Dual Rank x8 PC3-10600 (DDR3-1333) Registered CAS-9 Memory Kit	500656-B21
HP 4GB (1x4GB) Dual Rank x4 PC3-10600 (DDR3-1333) Registered CAS-9 Memory Kit	500658-B21
HP 4GB (1x4GB) Single Rank x4 PC3-10600 (DDR3-1333) Registered CAS-9 Memory Kit	593339-B21
HP 4GB (1x4GB) Single Rank x4 PC3L-10600 (DDR3-1333) Registered CAS-9 Low Power Memory Kit	604504-B21

NOTE: Low Voltage DIMMs can only be used with Intel® Xeon® processor 5600 series processors.

HP 8GB (1x8GB) Dual Rank x4 PC3-10600 (DDR3-1333) Registered CAS-9 Memory Kit	500662-B21
HP 8GB (1x8GB) Dual Rank x4 PC3L-10600 (DDR3-1333) Registered CAS-9 Low Power Memory Kit	604506-B21

NOTE: Low Voltage DIMMs can only be used with Intel® Xeon® processor 5600 series processors.

HP 16GB (1x16GB) Quad Rank x4 PC3-8500 (DDR3-1066) Registered CAS-7 Memory Kit	500666-B21
HP 16GB (1x16GB) Dual Rank x4 PC3L-10600 (DDR3-1333) Registered CAS-9 LP Memory Kit	627812-B21



QuickSpecs

HP ProLiant DL370 Generation 6 (G6) HP ProLiant ML370 Generation 6 (G6)

Configuration Information - Factory Integrated Models

HP 32GB (1x32GB) Quad Rank x4 PC3L-8500 (DDR3-1066) Registered CAS-7 LP Memory Kit 627814-B21

Unbuffered with ECC DIMMs (UDIMMs)

HP 1GB (1x1GB) Single Rank x8 PC3-10600 (DDR3-1333) Unbuffered CAS-9 Memory Kit 500668-B21

HP 2GB (1x2GB) Dual Rank x8 PC3-10600 (DDR3-1333) Unbuffered CAS-9 Memory Kit 500670-B21

HP 4GB (1x4GB) Dual Rank x8 PC3-10600 (DDR3-1333) Unbuffered CAS-9 Memory Kit 500672-B21

HP 4GB (1x4GB) Dual Rank x8 PC3L-10600 (DDR3-1333) Unbuffered CAS-9 Low Power Memory Kit 619488-B21

NOTE: All DDR3 memory option kits consist of one DIMM per kit. For detailed memory configuration rules and guidelines, please use the Online DDR3 Memory Configuration Tool: www.hp.com/go/ddr3memory-configurator.

NOTE: Kits described as LP include Low Power DIMMs. For more information on ProLiant Energy Efficient Features, see: www.hp.com/go/proliant-energy-efficient

NOTE: PC3L is a low voltage memory.

HP Power Supplies

NOTE: Prior to making a power supply selection it is highly recommended that the HP Power Advisor is run to determine the right size power supply for your server configuration. The HP Power Advisor is located at: www.hp.com/go/hppoweradvisor.

HP 460W Common Slot Gold Hot Plug Power Supply Kit 503296-B21

HP 750W Common Slot Gold Hot Plug Power Supply Kit 512327-B21

HP 1200W Common Slot Silver Hot Plug Power Supply Kit 500172-B21

NOTE: Option Kits contain optional power supply, an IEC power cable and PDU IEC cables.

Step 3: Choose Additional Factory Integratable Options

HP Performance Packs

Performance Packs are necessary to configure a HP ProLiant DL370 G6 or a HP ProLiant ML370 G6 to a High Performance Model which includes the latest performance technologies and enterprise class availability features pre-installed for convenience and value. The Performance Pack includes a 2nd processor, 750W power supply, redundant fan, 1GB FBWC, Insight Control license

NOTE: Must also select 447326-B21 to achieve parity to DL370 G6 or ML370 G6 High Performance Models (Including the DL370 G6 Performance Model with ICE).

HP ML370 G6 X5650 High Performance Model FIO Performance Pack 605555-B21

HP Insight Software

HP Insight Control for Linux including 1yr 24x7 Support ML/DL Bundle 1 Server FIO License TC203A

Step 4: Choose Additional Options for Factory Integration

NOTE: For additional options, please refer to the "Core Options" and "Additional Options" section below.



QuickSpecs

HP ProLiant DL370 Generation 6 (G6) HP ProLiant ML370 Generation 6 (G6)

Core Options

NOTE: Some options may not be integrated at the factory. To ensure only valid configurations are ordered, HP recommends the use of an HP approved configurator. Contact your local sales representative for additional information.

HP Unique Options	HP ML350/370 G6 8 Small Form Factor (SFF) 2nd Drive Cage Kit	507803-B21
	HP ML/DL370G6 6 Large Form Factor Backplane Kit	507810-B21
	HP ML350/ML/DL370G6 2 Large Form Factor Drive Kit	487936-B21
	HP ML370G6 Tower to Rack Conversion Kit	515031-B21
	HP ML/DL370G6 Redundant Fan Kit	508107-B21
	NOTE: Under the redundant fan configuration, only a single hot-pluggable fan can be replaced without having to power down the server	
	HP 350/370G6 Graphic Card Cable Kit	537721-B21
	NOTE: An option kit will be required per Graphic Card)	
	NOTE: Please see the HP Power Advisor for estimated power consumption of your individual system configuration prior to installing GPUs. The HP Power Advisor is located at: www.hp.com/go/hppoweradvisor .	
	NOTE: 2 PCIe Gen2 x16 (mechanical/electrical); 1 PCIe Gen2 x16 (mechanical) x8 (electrical)	
	HP ML/DL370 G6 2 Slot PCI-X Riser Kit	516434-B21
	NOTE: Customers purchasing the PCI-X Riser Kit, must also purchase the Redundant Fan kit (508107-B21)	
	NOTE: PCI-X support is limited to PCI-X cards only	

HP Processors

Six-Core Processors

HP ML/DL370 G6 Intel® Xeon® X5690 (3.46GHz/6-core/12MB/130W) Processor Kit	625071-B21
HP ML/DL370 G6 Intel® Xeon® X5675 (3.06GHz/6-core/12MB/95W) Processor Kit	625073-B21
HP ML/DL370 G6 Intel® Xeon® X5660 (2.80GHz/6-core/12MB/95W) Processor Kit	601322-B21
HP ML/DL370 G6 Intel® Xeon® X5650 (2.66GHz/6-core/12MB/95W) Processor Kit	601323-B21
HP ML/DL370 G6 Intel® Xeon® E5649 (2.53GHz/6-core/12MB/80W) Processor Kit	625075-B21
HP ML/DL370 G6 Intel® Xeon® E5645 (2.40GHz/6-core/12MB/80W) Processor Kit	625077-B21

Quad-Core Processors

HP ML/DL370 G6 Intel® Xeon® X5687 (3.60GHz/4-core/12MB/130W) Processor Kit	625072-B21
HP ML/DL370 G6 Intel® Xeon® X5672 (3.20GHz/4-core/12MB/95W) Processor Kit	625074-B21
HP ML/DL370 G6 Intel® Xeon® E5620 (2.40GHz/4-core/12MB/80W) Processor Kit	601326-B21
HP ML/DL370 G6 Intel® Xeon® E5607 (2.26GHz/4-core/8MB/80W) Processor Kit	625078-B21
HP ML/DL370 G6 Intel® Xeon® E5606 (2.13GHz/4-core/8MB/80W) Processor Kit	625079-B21
HP ML/DL370 G6 Intel® Xeon® L5630 (2.13GHz/4-core/12MB/40W) Processor Kit	601328-B21

Dual-Core Processors

HP ML/DL370 G6 Intel® Xeon® E5603 (1.60GHz/4-core/4MB/80W) Processor Kit	625080-B21
--	------------



QuickSpecs

HP ProLiant DL370 Generation 6 (G6) HP ProLiant ML370 Generation 6 (G6)

Core Options

HP Memory

Registered DIMMs (RDIMMs)

HP 2GB (1x2GB) Dual Rank x8 PC3-10600 (DDR3-1333) Registered CAS-9 Memory Kit	500656-B21
HP 4GB (1x4GB) Dual Rank x4 PC3-10600 (DDR3-1333) Registered CAS-9 Memory Kit	500658-B21
HP 4GB (1x4GB) Single Rank x4 PC3-10600 (DDR3-1333) Registered CAS-9 Memory Kit	593339-B21
HP 4GB (1x4GB) Single Rank x4 PC3L-10600 (DDR3-1333) Registered CAS-9 Low Power Memory Kit	604504-B21

NOTE: Low Voltage DIMMs can only be used with Intel® Xeon® processor 5600 series processors.

HP 8GB (1x8GB) Dual Rank x4 PC3-10600 (DDR3-1333) Registered CAS-9 Memory Kit	500662-B21
HP 8GB (1x8GB) Dual Rank x4 PC3L-10600 (DDR3-1333) Registered CAS-9 Low Power Memory Kit	604506-B21

NOTE: Low Voltage DIMMs can only be used with Intel® Xeon® processor 5600 series processors.

HP 16GB (1x16GB) Quad Rank x4 PC3-8500 (DDR3-1066) Registered CAS-7 Memory Kit	500666-B21
HP 16GB (1x16GB) Dual Rank x4 PC3L-10600 (DDR3-1333) Registered CAS-9 LP Memory Kit	627812-B21

HP 32GB (1x32GB) Quad Rank x4 PC3L-8500 (DDR3-1066) Registered CAS-7 LP Memory Kit	627814-B21
--	------------

Unbuffered with ECC DIMMs (UDIMMs)

HP 1GB (1x1GB) Single Rank x8 PC3-10600 (DDR3-1333) Unbuffered CAS-9 Memory Kit	500668-B21
HP 2GB (1x2GB) Dual Rank x8 PC3-10600 (DDR3-1333) Unbuffered CAS-9 Memory Kit	500670-B21
HP 4GB (1x4GB) Dual Rank x8 PC3-10600 (DDR3-1333) Unbuffered CAS-9 Memory Kit	500672-B21
HP 4GB (1x4GB) Dual Rank x8 PC3L-10600 (DDR3-1333) Unbuffered CAS-9 Low Power Memory Kit	619488-B21

NOTE: All DDR3 memory option kits consist of one DIMM per kit. For detailed memory configuration rules and guidelines, please use the Online DDR3 Memory Configuration Tool: www.hp.com/go/ddr3memory-configurator

NOTE: Kits described as LP include Low Power DIMMs. For more information on ProLiant Energy Efficient Features, see: www.hp.com/go/proliant-energy-efficient

HP Drive Cage Options

HP ML350/370 G6 8 Small Form Factor (SFF) 2nd Drive Cage Kit	507803-B21
HP ML/DL370G6 6 Large Form Factor Backplane Kit	507810-B21
HP ML350/ML/DL370G6 2 Large Form Factor Drive Kit	487936-B21

HP Optical Drives

HP Half-Height SATA DVD-ROM Optical Drive	447326-B21
HP Half-Height SATA DVD-RW Optical Drive	447328-B21
HP Slim 12.7mm SATA DVD-ROM Optical Drive	481041-B21
HP Slim 12.7mm SATA DVD-RW Optical Drive	481043-B21

HP Hard Drives

NOTE: The components of a storage subsystem (e.g. the drive, the HBA/controller, firmware, and the server backplane) should operate at the same data transfer rate or the system bandwidth will be negotiated down to an acceptable level for all



QuickSpecs

HP ProLiant DL370 Generation 6 (G6) HP ProLiant ML370 Generation 6 (G6)

Core Options

components.

NOTE: Hard drives have either a one year or three year warranty; refer to the specific hard drive QuickSpecs for details.

SAS Hot Plug SFF (2.5-inch) Enterprise (ENT) Drives

HP 900GB 6G SAS 10K rpm SFF (2.5-inch) Dual Port Enterprise 3yr Warranty Hard Drive	619291-B21
HP 600GB 6G SAS 10K rpm SFF (2.5-inch) Dual Port Enterprise 3yr Warranty Hard Drive	581286-B21
HP 450GB 6G SAS 10K rpm SFF (2.5-inch) Dual Port Enterprise 3yr Warranty Hard Drive	581284-B21
HP 300GB 6G SAS 10K rpm SFF (2.5-inch) Dual Port Enterprise 3yr Warranty Hard Drive	507127-B21
HP 300GB 6G SAS 15K rpm SFF (2.5-inch) Hot Plug Enterprise 3 yr Warranty Hard Drive	627117-B21
HP 146GB 6G SAS 15K rpm SFF (2.5-inch) Dual Port Enterprise 3yr Warranty Hard Drive	512547-B21

SAS Hot Plug LFF (3.5-inch) Enterprise (ENT) Drives

HP 600GB 6G SAS 15K rpm LFF (3.5-inch) Dual Port Enterprise 3yr Warranty Hard Drive	516828-B21
HP 450GB 6G SAS 15K rpm LFF (3.5-inch) Dual Port Enterprise 3yr Warranty Hard Drive	516816-B21
HP 300GB 6G SAS 15K rpm LFF (3.5-inch) Dual Port Enterprise 3yr Warranty Hard Drive	516814-B21

SAS Hot Plug SFF (2.5-inch) Midline (MDL) Drives

HP 1TB 6G SAS 7.2K rpm SFF (2.5-inch) Dual Port Midline 1yr Warranty Hard Drive	605835-B21
HP 500GB 6G SAS 7.2K rpm SFF (2.5-inch) Dual Port Midline 1yr Warranty Hard Drive	507610-B21

SAS Hot Plug LFF (3.5-inch) Midline (MDL) Drives

HP 3TB 6G SAS 7.2K rpm LFF (3.5-inch) Midline 1yr Warranty Hard Drive	625031-B21
HP 2TB 6G SAS 7.2K rpm LFF (3.5-inch) Dual Port Midline 1yr Warranty Hard Drive	507616-B21
HP 1TB 6G SAS 7.2K rpm LFF (3.5-inch) Dual Port Midline 1yr Warranty Hard Drive	507614-B21

NOTE: Please see the QuickSpecs for Technical Specifications and additional information:

http://h18000.www1.hp.com/products/quickspecs/12244_div/12244_div.html
(Worldwide)

SATA Hot Plug SFF (2.5-inch) Midline (MDL) Drives

HP 1TB 3G SATA 7.2K rpm SFF (2.5-inch) Hot Plug Midline 1yr Warranty Hard Drive	625609-B21
HP 500GB 3G SATA 7.2K rpm SFF (2.5-inch) Midline 1yr Warranty Hard Drive	507750-B21

SATA Hot Plug LFF (3.5-inch) Midline (MDL) Drives

HP 3TB 3G SATA 7.2K rpm LFF (3.5-inch) Midline 1yr Warranty Hard Drive	628059-B21
HP 2TB 3G SATA 7.2K rpm LFF (3.5-inch) Midline 1yr Warranty Hard Drive	507632-B21
HP 1TB 3G SATA 7.2K rpm LFF (3.5-inch) Midline 1yr Warranty Hard Drive	454146-B21
HP 500GB 3G SATA 7.2K rpm LFF (3.5-inch) Midline 1yr Warranty Hard Drive	458928-B21

SATA Hot Plug LFF (3.5-inch) Entry (ETY) Drives

HP 250GB 3G SATA 7.2K rpm LFF (3.5-inch) Entry 1yr Warranty Hard Drive	571230-B21
--	------------

NOTE: Please see the QuickSpecs for Technical Specifications and additional information:

http://h18000.www1.hp.com/products/quickspecs/13021_div/13021_div.html
(Worldwide)

SATA Hot Plug 2.5" Enterprise Mainstream Solid State Drives

HP 400GB 3G SATA MLC SFF (2.5-inch) Enterprise Mainstream 3yr Warranty Solid State Drive	636597-B21
--	------------



QuickSpecs

HP ProLiant DL370 Generation 6 (G6) HP ProLiant ML370 Generation 6 (G6)

Core Options

HP 200GB 3G SATA MLC SFF (2.5-inch) Enterprise Mainstream 3yr Warranty Solid State Drive 636595-B21

HP 100GB 3G SATA MLC SFF (2.5-inch) Enterprise Mainstream 3yr Warranty Solid State Drive 636593-B21

SATA Hot Plug 3.5" Midline (MDL) Solid State Drives

HP 400GB 3G SATA MLC LFF (3.5-inch) Enterprise Mainstream 3yr Warranty Solid State Drive 636611-B21

HP 200GB 3G SATA MLC LFF (3.5-inch) Enterprise Mainstream 3yr Warranty Solid State Drive 636609-B21

HP 100GB 3G SATA MLC LFF (3.5-inch) Enterprise Mainstream 3yr Warranty Solid State Drive 636607-B21

NOTE: Please see the QuickSpecs for Technical Specifications and additional information:

http://h18000.www1.hp.com/products/quickspecs/14038_div/14038_div.html
(Worldwide)

6G SAS Hot Plug Enterprise Performance Solid State Drives

HP 400GB 6G SAS SLC SFF (2.5-inch) Enterprise Performance 3yr Warranty Solid State Drive 632494-B21

HP 200GB 6G SAS SLC SFF (2.5-inch) Enterprise Performance 3yr Warranty Solid State Drive 632492-B21

6G SAS Hot Plug Enterprise Mainstream Solid State Drives

HP 800GB 6G SAS MLC SFF (2.5-inch) Enterprise Mainstream 3yr Warranty Solid State Drive 632506-B21

HP 400GB 6G SAS MLC SFF (2.5-inch) Enterprise Mainstream 3yr Warranty Solid State Drive 632504-B21

HP 200GB 6G SAS MLC SFF (2.5-inch) Enterprise Mainstream 3yr Warranty Solid State Drive 632502-B21

NOTE: Please see the QuickSpecs for Technical Specifications and additional information:

http://h18000.www1.hp.com/products/quickspecs/14038_div/14038_div.html
(Worldwide)

QuickSpecs

HP ProLiant DL370 Generation 6 (G6) HP ProLiant ML370 Generation 6 (G6)

Core Options

HP Networking

Gigabit Ethernet adapters

HP NC112T PCI Express Gigabit Server Adapter	503746-B21
HP NC360T PCI-E Dual Port Gigabit Server Adapter	412648-B21
HP NC364T PCI-E Quad Port Gigabit Server Adapter	435508-B21
NOTE: There is a maximum of five NC364T PCI Express Quad Port Gigabit Server Adapters allowed in this server.	
HP NC365T 4-port Ethernet Server Adapter	593722-B21
HP NC373F PCI-E Multifunction 1000SX Gigabit Svr Adapter	394793-B21
HP NC373T PCI-E Multifunction Gigabit Server Adapter	394791-B21
HP NC375T PCI Express Quad Port Gigabit Server Adapter	538696-B21
HP NC382T PCI Express Dual Port Multifunction Gigabit Server Adapter	458492-B21

10 Gigabit Ethernet adapters

NOTE: A minimum of two Gigabytes (2 GB) of server memory is required per each adapter.

NOTE: Direct Attach Cable (DAC) for copper environments or fiber transceivers and cables for fiber-optic environments must be purchased separately.

HP NC522SFP Dual Port 10GbE Gigabit Server Adapter	468332-B21
HP NC523SFP 10Gb 2-port Server Adapter	593717-B21
HP NC524SFP Dual Port 10GbE Module	489892-B21
HP NC550SFP Dual Port 10GbE Server Adapter	581201-B21
HP NC552SFP 10Gb 2-port Ethernet Server Adapter	614203-B21

NOTE: Please see the QuickSpecs for Technical Specifications and additional information: www.hp.com/go/ProLiantNICs.

HP InfiniBand

HP InfiniBand 4X DDR PCI-E 0 Memory Dual Port HCA	483513-B21
QLogic InfiniBand 4X QDR PCI-E G2 Dual Port HCA	583211-B21
HP InfiniBand 4X DDR ConnectX-2 PCIe G2 Dual Port HCA	592521-B21
HP InfiniBand 4X QDR ConnectX-2 PCIe G2 Dual Port HCA	592520-B21

HP I/O Expansion Options

HP ML/DL370 G6 2 Slot PCI-X Riser Kit	516434-B21
---------------------------------------	------------

NOTE: Customers purchasing the PCI-X Riser Kit, must also purchase the Redundant Fan kit (508107-B21)

NOTE: PCI-X support is limited to PCI-X cards only



QuickSpecs

HP ProLiant DL370 Generation 6 (G6) HP ProLiant ML370 Generation 6 (G6)

Core Options

HP Power Supplies

NOTE: Prior to making a power supply selection it is highly recommended that the HP Power Advisor is run to determine the right size power supply for your server configuration. The HP Power Advisor is located at: www.hp.com/go/hppoweradvisor.

HP 460W Common Slot Gold Hot Plug Power Supply Kit 503296-B21

HP 750W Common Slot Gold Hot Plug Power Supply Kit 512327-B21

HP 1200W Common Slot Silver Hot Plug Power Supply Kit 500172-B21

NOTE: Option Kits contain optional power supply, an IEC power cable and PDU IEC cables.

HP Cooling Options

HP ML/DL370G6 Redundant Fan Kit 508107-B21

QuickSpecs

HP ProLiant DL370 Generation 6 (G6) HP ProLiant ML370 Generation 6 (G6)

Additional Options

NOTE: Some options may not be integrated at the factory. To ensure only valid configurations are ordered, HP recommends the use of an HP approved configurator. Contact your local sales representative for additional information.

HP Insight Software

HP Insight Control

NOTE: Electronic and Flexible-Quantity licenses can be used to purchase multiple licenses with a single activation key.

NOTE: Customer will receive a license entitlement certificate. The license entitlement certificate must be redeemed online or via fax in order to obtain the license activation key(s). Includes one year of 24 x 7 HP Software Technical Support and Update Service.

NOTE: Licenses ship without media. The HP Insight Control Media Kit can be ordered separately, or can be downloaded at: <http://www.hp.com/go/insightupdates>.

NOTE: For additional license options please see the Insight Control QuickSpecs at: http://h18000.www1.hp.com/products/quickspecs/12631_div/12631_div.html

HP Insight Control for Linux

HP Insight Control for Linux including 1yr 24x7 Support Electronic License

TC213AAE

HP Insight Control for Linux including 1yr 24x7 Support Single Server License

TC209A

HP Insight Control for Linux Media Kit

TC208A

NOTE: Media pack DVD contains the ISO image for HP Insight Control for Linux, HP Systems Insight Manager, HP Insight Control power management, HP Insight Control virtual machine management, and an integrated installer. Servers must be acquired separately.

NOTE: Licenses ship without media. The Media Kit for Insight Control for Linux can be ordered separately, or can be downloaded at: <http://www.hp.com/go/ic-linux> (click on Download button).

NOTE: Electronic and Flexible-Quantity licenses can be used to purchase multiple licenses with a single set of activation keys.

NOTE: For additional License Kits, including electronic licensing options, please see the QuickSpecs at:

http://h18000.www1.hp.com/products/quickspecs/13019_div/13019_div.html

HP Integrated Lights-Out (iLO) Advanced

HP iLO Advanced Pack Electronic License with 3yr 24x7 Tech Support and Updates

BD506AAE

HP iLO Advanced 1 Server License with 3yr 24x7 Tech Support and Updates

BD505A

HP iLO Advanced including 1yr 24x7 Technical Support and Updates Electronic License

TA850AAE

HP iLO Advanced including 1yr 24x7 Technical Support and Updates Single Server License

512485-B21

NOTE: This license allows 1 server to be deployed and managed via HP iLO Advanced. Customer will receive a printed license entitlement certificate via physical shipment. The license entitlement certificate must be redeemed online or via fax in order to obtain the license activation key(s). Includes one year of 24 x 7 HP Software Technical Support Service

NOTE: For additional license kits, including electronic delivery options, please see the QuickSpecs at:

http://h18000.www1.hp.com/products/quickspecs/12362_div/12362_div.html

HP Insight Control server deployment

HP Insight Control Server Deployment including 1yr 24x7 Support Electronic License

T9082AAE

HP Insight Control Server Deployment including 1yr 24x7 Support Single Server License

452151-B21



QuickSpecs

HP ProLiant DL370 Generation 6 (G6) HP ProLiant ML370 Generation 6 (G6)

Additional Options

NOTE: Licenses ship without media. The Insight Control Media Kit can be ordered separately, or can be downloaded at: <http://www.hp.com/go/insightupdates>.

NOTE: Customer will receive a license entitlement certificate, which must be redeemed online or via fax in order to obtain the license activation key(s). Includes one year of 24 x 7 HP Software Technical Support Service.

NOTE: For additional license kits please see the Insight Control QuickSpecs at: http://h18004.www1.hp.com/products/quickspecs/12631_div/12631_div.html

High Performance Clusters

HP Cluster Management Utility

HP Insight Cluster Management Utility 1yr 24x7 Flexible License

QL803B

NOTE: This part number can be used to purchase one certificate for multiple licenses with a single activation key. Each license is for one node (server). Customer will receive a printed end user license agreement and license entitlement certificate via physical shipment. The license entitlement certificate must be redeemed online in order to obtain a license key.

HP Insight Cluster Management Utility 3yr 24x7 Flexible License

BD476A

NOTE: These part numbers can be used to purchase one certificate for multiple licenses and support with a single activation key. Each license is for one node (server). Customer will receive a printed end user license agreement and license entitlement certificate via physical shipment. The license entitlement certificate must be redeemed online in order to obtain a license key. Customer also will receive a support agreement.

HP Insight Cluster Management Utility Media

BD477A

NOTE: For additional license kits please see the QuickSpecs at:

http://h18004.www1.hp.com/products/quickspecs/12612_div/12612_div.html

HP HPC Linux Value Pack

HP High Performance Computing Linux Value Pack 1 Processor Flexible License for ProLiant Servers

TC293B

NOTE: This part number can be used to purchase one certificate for multiple licenses with a single activation key. Each license is for one socket (a.k.a. processor). Customer will receive a printed end user license agreement and license entitlement certificate via physical shipment. The license entitlement certificate must be redeemed online in order to obtain a license key.

HP High Performance Computing Linux Value Pack Media Kit for ProLiant Servers

TC294A

NOTE: This part number can be used to purchase media including software and documentation, which will be delivered to the customer.

NOTE: For additional license kits please see the QuickSpecs at:

http://h18004.www1.hp.com/products/quickspecs/13485_div/13485_div.html

HP Drive Cage Options

HP ML350/370 G6 8 Small Form Factor (SFF) 2nd Drive Cage Kit

507803-B21

HP ML/DL370G6 6 Large Form Factor Backplane Kit

507810-B21

HP ML350/ML/DL370G6 2 Large Form Factor Drive Kit

487936-B21



QuickSpecs

HP ProLiant DL370 Generation 6 (G6) HP ProLiant ML370 Generation 6 (G6)

Additional Options

HP Graphic Options	HP 350/370G6 Graphic Card Cable Kit NOTE: An option kit will be required per Graphic Card. NOTE: Please see the HP Power Advisor for estimated power consumption of your individual system configuration prior to installing GPUs. The HP Power Advisor is located at: www.hp.com/go/hppoweradvisor . NOTE: 2 PCIe Gen2 x16 (mechanical/electrical); 1 PCIe Gen2 x16 (mechanical) x8 (electrical)	537721-B21
	NVIDIA Quadro 4000 2GB PCI-E Adapter	655933-B21
	NVIDIA Quadro 6000 6GB PCI-E Adapter	655935-B21

HP I/O Accelerator Options

Second Generation Accelerators

HP 365GB Multi Level Cell G2 PCIe ioDrive2 for ProLiant Servers	673642-B21
HP 785GB Multi Level Cell G2 PCIe ioDrive2 for ProLiant Servers	673644-B21
HP 1205GB Multi Level Cell G2 PCIe ioDrive2 for ProLiant Servers	673646-B21
HP 2410GB Multi Level Cell G2 PCIe ioDrive2 Duo for ProLiant Servers	673648-B21

First Generation Accelerators

HP 160GB Single Level Cell PCIe ioDrive for ProLiant Servers NOTE: A low-profile PCI bracket is included for use in low-profile slots.	600278-B21
HP 320GB Multi Level Cell PCIe ioDrive for ProLiant Servers NOTE: A low-profile PCI bracket is included for use in low-profile slots.	600279-B21
HP 320GB Single Level Cell PCIe ioDrive Duo for ProLiant Servers	600281-B21
HP 640GB Multi Level Cell PCIe ioDrive Duo for ProLiant Servers	600282-B21
HP 1.28TB Multi Level Cell PCIe ioDrive Duo for ProLiant Servers NOTE: Please see the QuickSpecs for Technical Specifications and additional information: http://h18000.www1.hp.com/products/quickspecs/13587_div/13587_div.html (Worldwide)	641027-B21

HP Security

HP Trusted Platform Module Option	488069-B21
NOTE: The TPM (Trusted Platform Module) is a microcontroller chip that can securely store artifacts used to authenticate the server platform. These artifacts can include passwords, certificates and encryption keys. Windows® BitLocker™ Drive Encryption (BitLocker) is a data protection feature available in Windows Server® 2008. BitLocker leverages the enhanced security capabilities of a Trusted Platform Module (TPM) version 1.2. The TPM works with BitLocker to help protect user data and to ensure that a server running Windows Server 2008 has not been tampered with while the system was offline. For more information about TPM, including a white paper, go to: www.hp.com/go/TPM . NOTE: ProLiant OS pre-installed units will come with the partition required for TPM deployment. NOTE: The TPM key is unique to every TPM deployed server and must be retained. Misplacing or losing the key could result in data loss.	



QuickSpecs

HP ProLiant DL370 Generation 6 (G6) HP ProLiant ML370 Generation 6 (G6)

Additional Options

HP Storage Controllers

SAS Controllers

HP Smart Array P212 Controller

HP Smart Array P212/ZM 1-ports Int/1-ports Ext PCIe x8 SAS Controller	462828-B21
HP Smart Array P212/256 1-ports Int/1-ports Ext PCIe x8 SAS Controller	462834-B21

HP Smart Array P410 Controller

HP Smart Array P410/256 2-ports Int PCIe x8 SAS Controller	462862-B21
HP Smart Array P410/512 BBWC 2-ports Int PCIe x8 SAS Controller	462864-B21
HP Smart Array P410/512 FBWC 2-ports Int PCIe x8 SAS Controller	578230-B21
HP Smart Array P410/1G FBWC 2-ports Int PCIe x8 SAS Controller	572532-B21

HP Smart Array P411 Controller

HP Smart Array P411/256 2-ports Ext PCIe x8 SAS Controller	462830-B21
HP Smart Array P411/512 BBWC 2-ports Ext PCIe x8 SAS Controller	462832-B21
HP Smart Array P411/512 FBWC 2-ports Ext PCIe x8 SAS Controller	578229-B21
HP Smart Array P411/1G FBWC 2-ports Ext PCIe x8 SAS Controller	572531-B21

Smart Array P812 Controller

HP Smart Array P812/1G FBWC 2-ports Int/4-ports Ext PCIe x8 SAS Controller	487204-B21
--	------------

Optional Upgrades

NOTE: These Optional Upgrades are Supported on the Smart Array P410i Controller only.

HP 256MB P-series Cache Upgrade	462968-B21
HP 512MB P-Series Battery Backed Write Cache Upgrade	462967-B21
HP 512MB Flash Backed Write Cache	534916-B21
HP 1GB Flash Backed Cache	534562-B21
HP 8484 to Mini SAS 33in Cable Assembly	591734-B21

NOTE: Cable for use connecting the Smart Array P800 Controller to internal hard disk drives on select HP ProLiant G6 Servers.

HP Smart Array Advanced Pack including 1yr 24x7 Technical Support and Updates Single Server License	516471-B21
---	------------

NOTE: This part number can be used to purchase a single license or to order multiple licenses with a single activation key. Customers will receive a license entitlement certificate via e-mail. The license entitlement certificate must be redeemed online or via fax in order to obtain the license activation key(s). Include one year of 24x7 HP Software Technical Support Services.

NOTE: Please see the QuickSpecs for Technical Specifications and additional information:

http://h18000.www1.hp.com/products/quickspecs/13203_div/13203_div.html
(Smart Array P212 Controller)

http://h18000.www1.hp.com/products/quickspecs/13201_div/13201_div.html
(Smart Array P410 Controller)

http://h18000.www1.hp.com/products/quickspecs/13202_div/13202_div.html
(Smart Array P411 Controller)

http://h18000.www1.hp.com/products/quickspecs/13558_div/13558_div.html
(Smart Array P812 Controller)

SAS Controller Options



QuickSpecs

HP ProLiant DL370 Generation 6 (G6) HP ProLiant ML370 Generation 6 (G6)

Additional Options

HP 24 Bay SAS Expander Card	468406-B21
NOTE: For use with the additional 8 SFF drive cage (507803-B21).	
NOTE: Please see the QuickSpecs for Technical Specifications and additional information: http://h18004.www1.hp.com/products/quickspecs/13232_div/13232_div.html (SAS Expander Card)	
SAS HBA	
HP Modular Smart Array SC08e 2-ports Ext PCIe x8 SAS Host Bus Adapter	614988-B21
NOTE: This is a 2 x4 External Port HBA	
NOTE: This is only approved for the HP P2000 G3 SAS Modular Smart Array.	
NOTE: Please see the QuickSpecs for Technical Specifications and additional information: http://h18004.www1.hp.com/products/quickspecs/13651_div/13651_div.html (SC08e 6Gb HBA)	
SCSI HBA	
HP SC11Xe Ultra320 Single Channel/ PCIe x4 SCSI Host Bus Adapter	412911-B21
NOTE: Recommended HBA for SCSI tape drive connect.	
NOTE: Please see the following QuickSpecs for additional information: http://h18000.www1.hp.com/products/quickspecs/12566_div/12566_div.html (SC11Xe HBA)	

HP Power Cords

NOTE: HP ProLiant servers ships with an IEC-IEC power cord used for rack mounting with Power Distribution Units (PDUs).

HP C13 - Nema 5-15P US/CA 110V 10Amp 1.83m Power Cord	AF556A
HP C13 - CEE-VII EU 250V 10Amp 1.83m Power Cord	AF568A
HP C13 - BS-1363A UK/HK/SG 250V 10Amp 1.83m Power Cord	AF570A
HP C13 - DK-2.5A DK 250V 10Amp 1.83m Power Cord	AF566A
HP C13 - SEV 1011 CH 250V 10Amp 1.83m Power Cord	AF565A
HP C13 - CEI-23-50 IT/CL 250V 10Amp 1.83m Power Cord	AF571A
HP C13 - SABS-164 ZA 250V 10Amp 2.5m Power Cord	AF567A
HP C13 - Nema 6-15P US 250V 15A JP 3.6m Power Cord	AON33A

HP Backup & Recovery Software

HP Data Protector Express

HP Data Protector Express V5.0 for 1 Server E-LTU	TC330AAE
HP Data Protector Express V5.0 for 3 Servers E-LTU	TC331AAE
HP Data Protector Express V5.0 for 10 Servers E-LTU	TC332AAE
HP Basic Upgrade to Data Protector Express V5 for 1 Server E-LTU	TC333AAE
NOTE: One of these Data Protector Express base products is required. To see available options: http://www.hp.com/go/dataprotectorexpress	

HP Tape Backup

NOTE: For the complete range of tape drives, autoloaders, libraries and media see: <http://www.hp.com/go/tape>. For hardware and software compatibility of HP tape



QuickSpecs

HP ProLiant DL370 Generation 6 (G6) HP ProLiant ML370 Generation 6 (G6)

Additional Options

backup products see: <http://www.hp.com/storage/SPOCK>.

HP DAT160 USB Internal Tape Drive Q1580B

HP DAT160 SAS Internal Tape Drive Q1587B

NOTE: For installation into 1U SAS Rack-Mount Kit (AE459B) or 3U SAS Rack-Mount Kit (AG576B). No peripheral bay available for installation into the server. Connection using HP P212 SAS Smart Array Controller (462828-B21) recommended.

HP LTO-5 Ultrium 3000 SAS External Tape Drive EH958B

NOTE: Connection using HP P212 SAS Smart Array Controller (462828-B21) recommended.

HP 1/8 G2 LTO-4 Ultrium 1760 SAS Tape Autoloader AK377A

NOTE: Requires HP 1U Tape Autoloader Rack Kit (AH166A) for rack installation. Connection using HP P212 SAS Smart Array Controller (462828-B21) recommended.

HP DAT 320 USB Internal Tape Drive AJ825A

HP DAT 320 SAS Internal Tape Drive AJ830A

NOTE: Connection using HP P212 SAS Smart Array Controller (462828-B21) recommended.

HP Ultrium 448 SAS Internal Tape Drive DW085B

HP Ultrium 920 SAS Internal Tape Drive EH847B

NOTE: Connection using HP P212 SAS Smart Array Controller (462828-B21) recommended.

HP LTO-4 Ultrium 1760 SAS Internal WW Tape Drive EH919B

NOTE: Connection using HP P212 SAS Smart Array Controller (462828-B21) recommended.

HP LTO-4 Ultrium 1840 SAS External Tape Drive EH861B

NOTE: Connection using HP P212 SAS Smart Array Controller (462828-B21) recommended.

HP LTO-5 Ultrium 3280 SAS Internal Tape Drive EH899B

NOTE: For installation into 3U SAS rack kit (AG576B). No peripheral bay available for installation into the server. Connection using HP P212 SAS Smart Array Controller (462828-B21) recommended.

HP LTO-5 Ultrium 3000 SAS Internal Tape Drive EH957B

NOTE: Connection using HP P212 SAS Smart Array Controller (462828-B21) recommended.

HP 1/8 G2 LTO-5 Ultrium 3000 SAS Tape Autoloader BL536A

NOTE: Requires HP 1U Tape Autoloader Rack Kit (AH166A) for rack installation. Connection using HP P212 SAS Smart Array Controller (462828-B21) recommended.

HP MSL2024 1 LTO-5 Ultrium 3000 SAS Tape Library BL537A

NOTE: Connection using HP P212 SAS Smart Array Controller (462828-B21) recommended.

HP MSL2024 1 LTO-4 Ultrium 1760 SAS Tape Library AK378A

HP MSL4048 2 LTO-5 Ultrium 3000 SAS Tape Library BL538A

NOTE: Connection using HP P212 SAS Smart Array Controller (462828-B21) recommended.

HP MSL4048 2 LTO-4 Ultrium 1760 SAS Tape Library AK380A



QuickSpecs

HP ProLiant DL370 Generation 6 (G6) HP ProLiant ML370 Generation 6 (G6)

Additional Options

HP Disk Backup

NOTE: For the complete range of D2D Backup Systems see: <http://www.hp.com/go/d2d>. For the complete range of RDX drives and media see: <http://www.hp.com/go/rdx>. For hardware and software compatibility of HP disk backup products see: <http://www.hp.com/storage/SPOCK>.

HP D2D Backup Systems with Backup Data Deduplication

HP D2D2502i Backup System	EJ001C
HP D2D2504i Backup System	EJ002C
HP D2D4112 Backup System	EH993C

HP RDX Removable Disk Backup Systems USB

HP RDX160 Internal Removable Disk Backup System	AJ765A
HP RDX320 Internal Removable Disk Backup System	AJ767A
NOTE: For installation into 1U USB Rack-Mount Kit (A8007A). No peripheral bay available for drive installation into the server. 320GB of disk capacity per data cartridge.	
HP RDX500 Internal Removable Disk Backup System	AJ934A
NOTE: For installation into 1U USB Rack-Mount Kit (A8007A). No peripheral bay available for drive installation into the server. 500GB of disk capacity per data cartridge.	
HP RDX1000 Internal Removable Disk Backup System	BV847A
NOTE: For installation into 1U USB Rack-Mount Kit (A8007A). No peripheral bay available for drive installation into the server. 1 TB of disk capacity per data cartridge.	
HP RDX1000 USB3.0 Internal Disk Backup System	B7B67A
HP RDX320 USB3.0 Internal Disk Backup System	B7B62A
HP RDX500 USB3.0 Internal Disk Backup System	B7B64A

HP Storage Options

Fibre Channel HBA

NOTE: The following is a list of all Fibre Channel Host Bus Adapters for Windows and Linux. For detailed compatibility information please see: <http://h18006.www1.hp.com/storage/saninfrastructure/hba.html>

Brocade Fibre Channel HBAs

HP 81B 8Gb 1-port PCIe Fibre Channel Host Bus Adapter	AP769B
HP 82B 8Gb 2-port PCIe Fibre Channel Host Bus Adapter	AP770B
HP 41B 4Gb 1-port PCIe Fibre Channel Host Bus Adapter	AP767B
HP 42B 4Gb 2-port PCIe Fibre Channel Host Bus Adapter	AP768B

Emulex Fibre Channel HBAs

HP 81E 8Gb 1-port PCIe Fibre Channel Host Bus Adapter	AJ762B
HP 82E 8Gb 2-port PCIe Fibre Channel Host Bus Adapter	AJ763B
HP FC2142SR 4Gb 1-port PCIe Fibre Channel Host Bus Adapter	A8002B
HP FC2242SR 4Gb 2-port PCIe Fibre Channel Host Bus Adapter	A8003B

QLogic Fibre Channel HBAs

HP 81Q 8Gb 1-port PCIe Fibre Channel Host Bus Adapter	AK344A
HP 82Q 8Gb 2-port PCIe Fibre Channel Host Bus Adapter	AJ764A
HP FC1142SR 4Gb 1-port PCIe Fibre Channel Host Bus Adapter	AE311A
HP FC1242SR 4Gb 2-port PCIe Fibre Channel Host Bus Adapter	AE312A



QuickSpecs

HP ProLiant DL370 Generation 6 (G6) HP ProLiant ML370 Generation 6 (G6)

Additional Options

Converged Network Adapter

HP CN1100E Dual Port Converged Network Adapter	BK835A
HP CN1000Q Dual Port Converged Network Adapter	BS668A
HP CN1000E Dual Port Converged Network Adapter	AW520B

HP Disk Storage Systems Disk Enclosures

HP D2600 Disk Enclosure	AJ940A
HP D2700 Disk Enclosure	AJ941A

NOTE: Please see the QuickSpecs for additional information including configuration steps and additional options needed for a complete solution at:
http://h18000.www1.hp.com/products/quickspecs/13404_div/13404_div.html
(Worldwide)

HP Uninterruptible Power Systems HP Tower UPS

HP T1000 G3 UPS Models

HP T1000 G3 1000VA NA Tower Uninterruptible Power System	AF448A
HP T1000 G3 1000VA INTL Tower Uninterruptible Power System	AF449A
HP T1000J JP Uninterruptible Power System	AF457A

HP T1500 G3 UPS Models

HP T1500 G3 1400VA NA Tower Uninterruptible Power System	AF450A
HP T1500 G3 1400VA INTL Tower Uninterruptible Power System	AF451A
HP T1500J JP Uninterruptible Power System	AF458A

NOTE: Please see the QuickSpecs for additional information:
http://h18000.www1.hp.com/products/quickspecs/13160_div/13160_div.html
(Worldwide)

HP Rack-mountable UPS

HP R1500 G3 Uninterruptible Power Supply (UPS)

HP R1.5kVA G3 1U NA Uninterruptible Power System	AF469A
HP R1.5kVA G3 1U JP/TW Uninterruptible Power System	AF470A
HP R1.5kVA G3 1U INTL Uninterruptible Power System	AF471A

NOTE: Please see the QuickSpecs for additional information:
http://h18000.www1.hp.com/products/quickspecs/14059_div/14059_div.html
(Worldwide)

HP R/T3000 G2 Uninterruptible Power System (UPS)

HP R/T3000 G2 2U L530 Low Voltage NA/JP Uninterruptible Power System	AF466A
HP R/T3000 G2 2U L620 High Voltage NA/JP Uninterruptible Power System	AF467A
HP R/T3000 G2 2U Detachable Cord High Voltage INTL Uninterruptible Power System	AF468A

NOTE: Please see the QuickSpecs for additional information:
http://h18000.www1.hp.com/products/quickspecs/14058_div/14058_div.html
(Worldwide)



QuickSpecs

HP ProLiant DL370 Generation 6 (G6) HP ProLiant ML370 Generation 6 (G6)

Additional Options

NOTE: For additional information on HP Uninterruptible Power Systems please go to: www.hp.com/servers/rackups.

NOTE: For additional information on sizing your server, please reference: <http://www.upssizer.com>.

Please see the UPS and PDU cable matrix's on the HP Power Protection and Management page. Under Power Cords, click on the "HP Power Cord Matrix" link. That link will list cable descriptions, requirements, and specifications for UPS and PDU units. Please see the following link: www.hp.com/products/powercords.

HP Power Distribution Units

Modular Power Distribution Units 1U/0U (Up to 32 outlets)

NOTE: 1U/0U mounting brackets shipped with the unit (optimized for 10000 and 9000 series racks).

HP 4.9kVA 24A High Voltage NA/JP Modular Power Distribution Unit	252663-D72
HP 8.3kVA 40A High Voltage NA/JP Modular Power Distribution Unit	252663-D73
HP 7.3kVA 32A High Voltage INTL Modular Power Distribution Unit	252663-B31
HP 3.6kVA 16A High Voltage INTL Modular Power Distribution Unit	252663-B24

NOTE: This PDU has a detachable input power cord and allows for adaptability to country specific power requirements.

NOTE: Please see the following QuickSpecs for additional information: http://h18000.www1.hp.com/products/quickspecs/11041_div/11041_div.html (Worldwide)

NOTE: For additional information on HP Power Distribution Units including accessories please go to: www.hp.com/go/pdu.

Please see the UPS and PDU cable matrix's on the HP Power Protection and Management page. Under Power Cords, click on the "HP Power Cord Matrix" link. That link will list cable descriptions, requirements, and specifications for UPS and PDU units. Please see the following link: www.hp.com/products/powercords.

HP Rack Options

Keyboards and Monitors

HP TFT7600 G2 KVM Console and Monitor (TFT7600 G2)

HP TFT7600 G2 KVM Console Rackmount Keyboard US Monitor	AZ870A
HP TFT7600 G2 KVM Console Rackmount Keyboard UK Monitor	AZ871A
HP TFT7600 G2 KVM Console Rackmount Keyboard DE Monitor	AZ872A
HP TFT7600 G2 KVM Console Rackmount Keyboard FR Monitor	AZ873A
HP TFT7600 G2 KVM Console Rackmount Keyboard IT Monitor	AZ874A
HP TFT7600 G2 KVM Console Rackmount Keyboard ES Monitor	AZ875A
HP TFT7600 G2 KVM Console Rackmount Keyboard DK Monitor	AZ876A
HP TFT7600 G2 KVM Console Rackmount Keyboard NO Monitor	AZ877A
HP TFT7600 G2 KVM Console Rackmount Keyboard SE/FI Monitor	AZ878A
HP TFT7600 G2 KVM Console Rackmount Keyboard CH Monitor	AZ879A
HP TFT7600 G2 KVM Console Rackmount Keyboard PT Monitor	AZ880A
HP TFT7600 G2 KVM Console Rackmount Keyboard BE Monitor	AZ881A
HP TFT7600 G2 KVM Console Rackmount Keyboard JP Monitor	AZ882A



QuickSpecs

HP ProLiant DL370 Generation 6 (G6) HP ProLiant ML370 Generation 6 (G6)

Additional Options

HP TFT7600 G2 KVM Console Rackmount Keyboard RU Monitor	AZ883A
HP TFT7600 G2 KVM Console Rackmount Keyboard Intl Monitor	AZ884A
HP TFT7600 G2 KVM Console Rackmount Keyboard US TAA Monitor	AZ885A

NOTE: Please see the QuickSpecs for additional information:

http://h18000.www1.hp.com/products/quickspecs/13731_div/13731_div.html
(Worldwide)

HP 1U Rackmount Keyboard with USB

HP 1U US Rackmount Keyboard with USB	AG072A
HP 1U UK Rackmount Keyboard with USB	AG073A
HP 1U DE Rackmount Keyboard with USB	AG074A
HP 1U FR Rackmount Keyboard with USB	AG075A
HP 1U IT Rackmount Keyboard with USB	AG076A
HP 1U ES Rackmount Keyboard with USB	AG077A
HP 1U DK Rackmount Keyboard with USB	AG078A
HP 1U NO Rackmount Keyboard with USB	AG079A
HP 1U SE/FI Rackmount Keyboard with USB	AG080A
HP 1U Rackmount Keyboard with USB	AG081A
HP 1U PT Rackmount Keyboard with USB	AG082A
HP 1U BE Rackmount Keyboard with USB	AG083A
HP 1U JP Rackmount Keyboard with USB	AG084A
HP 1U RU Rackmount Keyboard with USB	AG085A
HP 1U INT Rackmount Keyboard with USB	AG086A

NOTE: Please see the QuickSpecs for additional information:

http://h18000.www1.hp.com/products/quickspecs/12465_div/12465_div.html
(Worldwide)

HP USB Keyboard and Mouse

HP USB BFR with PVC Free IN Keyboard/Mouse Kit	672097-D63
--	------------

NOTE: Please see the QuickSpecs for Technical Specifications and additional information:

http://h18000.www1.hp.com/products/quickspecs/13972_div/13972_div.html
(Worldwide)

HP Server Console Switches

HP Server Console 0x2x8 Port Analog Switch	AF616A
HP Server Console 0x2x16 Port Analog Switch	AF617A

NOTE: Please see the QuickSpecs for additional information:

http://h18000.www1.hp.com/products/quickspecs/11834_div/11834_div.html
(Worldwide)

HP Server Console Switch G2 with Virtual Media & CAC

HP 0x2x16 KVM Server Console Switch G2 with Virtual Media CAC Software	AF618A
HP 0x2x32 KVM Server Console Switch G2 with Virtual Media CAC Software	AF619A

NOTE: Please see the QuickSpecs for additional information:

http://h18000.www1.hp.com/products/quickspecs/13475_div/13475_div.html
(Worldwide)



QuickSpecs

HP ProLiant DL370 Generation 6 (G6) HP ProLiant ML370 Generation 6 (G6)

Additional Options

HP IP Console Switch G2 with Virtual Media & CAC

HP 1x1Ex8 KVM IP Console Switch G2 with Virtual Media CAC Software AF620A

HP 2x1Ex16 KVM IP Console Switch G2 with Virtual Media CAC Software AF621A

HP 4x1Ex32 KVM IP Console Switch G2 with Virtual Media CAC Software AF622A

NOTE: Please see the [QuickSpecs](#) for additional information:

http://h18000.www1.hp.com/products/quickspecs/13474_div/13474_div.html
(Worldwide)

Rack Kits

HP ML370G6 Tower to Rack Conversion Kit 515031-B21

HP USB and SD Options

HP USB 2-Button Optical Scroll Mouse DC172B

HP Standard USB Keyboard US DT528A#ABA

HP 4GB Secure Digital High Capacity Flash Media Kit 580387-B21

NOTE: Blank SD media device is supported for use with VMware and Citrix. SD media must be installed in the internal slot of the ProLiant server. Learn more at:

<http://www.hp.com/go/proliantvirtualization>.

HP 2GB USB Flash Media Drive Key Kit 608447-B21

NOTE: HP qualified blank USB key for use with HP ProLiant servers that support the VMware virtualization environment and other HP value-add software like SmartStart. HP recommends this industry standard USB flash device for use with VMware ESXi. USB device must be installed in the internal slot of the ProLiant server for use with VMware ESXi. Refer to [HP VMware Getting Started Guide](#) for installation instructions.

HP Care Pack Services

HP ProLiant ML370 G6 Service & Support Offerings

Hardware Services On-site Service

HP 3 year 4 hour 13x5 ProLiant ML370/DL370 Hardware Support U4528E

HP 3 year 4 hour 24x7 ProLiant ML370/DL370 Hardware Support U4529E

Hardware Services 6-Hour Call to Repair On-site Service

HP 3 year 6 hour 24x7 Call to Repair ProLiant ML370/DL370 Hardware Support U4530E

Installation & Start-up Services

HP Install ProLiant ML370/DL370 Service U4538E

HP Startup ProLiant ML370/DL370 Service U4539E

HP Installation of ProLiant Add On/In Options Service UH745E

HP Installation and Startup for Insight Control Server Deployment - previously Rapid Deployment Pack U5683E

Support Plus 24

HP 3 year Support Plus 24 Microsoft ProLiant ML370/DL370 Service U4541E

HP 3 year Support Plus 24 SuSE ProLiant ML370/DL370 Service U6311E

NOTE: For more information, customer/resellers can contact:

<http://www.hp.com/services/carepack>.



QuickSpecs

HP ProLiant DL370 Generation 6 (G6) HP ProLiant ML370 Generation 6 (G6)

Memory

NOTE: Memory configurations listed do not apply to "Factory Integrated Models".

HP ProLiant DL370 G6 Models

HP ProLiant ML370 G6 Models

DDR3 memory population guidelines

For detailed memory configuration rules and guidelines, please use the Online DDR3 Memory Configuration Tool:

www.hp.com/go/ddr3memory-configurator

Some DIMM installation guidelines are summarized below:

- For servers with eighteen (18) memory slots:
 - There are three (3) channels per processor; six (6) channels per server
 - There are three (3) DIMM slots for each memory channel; eighteen (18) total slots
 - Memory channel 1 consists of the three (3) DIMMs that are closest to the processor
 - Memory channel 3 consists of the three (3) DIMMs that are furthest from the processor
- DIMM slots that are white should be populated first
- Do not mix Unbuffered memory (UDIMMs) with Registered memory (RDIMMs)
- Do not install DIMMs if the corresponding processor is not installed
- If only one processor is installed in a 2CPU system, only half of the DIMM slots are available
- To maximize performance, balance the total memory capacity between all installed processors
- It is not required, but it is recommended to load the channels similarly if possible
- If any Quad rank DIMMs are installed, all channels are limited to only 2 DIMMs per channel.
- You can only install two quad-rank DIMMs per channel
- You can only install two UDIMMs per channel; if available, the third slot in the channel must remain empty
- Populate DIMMs from heaviest load (quad-rank) to lightest load (single-rank) within a channel
- Heaviest load (DIMM with most ranks) within a channel goes furthest from the chipset
- For memory mirroring mode, channel 3 must be unpopulated. Channels 1 and 2 are populated identically
- For lock-step mode, channel 3 must be unpopulated. DIMMs in channels 1 and 2 will be installed in pairs. The paired slots will be 1,4; 2,5; 3,6 on a 3DPC system or 1,4; 2,5; on a 2DPC system
- Low Voltage DIMMs can only be used with the Intel® Xeon® processors 5600 series
- If mixing DIMM voltage is a requirement, please note that the DIMMs will run at 1.5V since all 1.35V are capable of supporting 1.5V operations

DIMM slot/capacity/populated speed table												
DIMM Type	Registered DIMMS (RDIMMs)									Unbuffered with ECC DIMMs (UDIMMs)		
DIMM Rank	Single Rank (1R)	Dual Rank (2R)					Quad Rank (4R)			Single Rank (1R)	Dual Rank (2R)	
DIMM Capacity	4G	2GB	4GB	8GB	8GB	16GB	4GB	16GB	32GB	1GB	2GB	4GB
DIMM Native Speed (MHz)	1333	1333	1333	1066	1333	1333	1066	1066	1066	1333	1333	1333
Voltage	LV/Std	Std	Std	Std	LV/Std	LV/Std	Std	Std	LV/Std	Std	Std	Std
SLOTS THAT CAN BE POPULATED												
18 slot servers	18	18	18	18	18	18	12	12	12	12	12	12
MAXIMUM CAPACITY (GB)												
	72	36	72	144	144	288	48	192	384	12	24	48



QuickSpecs

HP ProLiant DL370 Generation 6 (G6) HP ProLiant ML370 Generation 6 (G6)

Memory

	POPULATED DIMM SPEED (MHz)											
1 DIMM Per Channel	1333	1333	1333	1066	1333	1333	1066	1066	1066	1333	1333	1333
2 DIMM Per Channel	1333*	1333*	1333*	1066	1333*	1066/ 1033**	800	800	800	1066	1066	1066
3 DIMM Per Channel	800	800	800	800	800	800***	n/a	n/a	n/a	n/a	n/a	n/a

* Supported with ROM update via ROM Based Setup Utility (RBSU)
 **2DPC: LV runs at 1066, Std voltage runs at 1333
 ***3DPC: LV/Std voltage runs at 800

NOTES:

- PC3-10600 DIMMs have a maximum speed of 1333MHz. PC3-8500 DIMMs have a maximum speed of 1066MHz
- Mixing DIMM speeds is allowed, but the system processor speed rules always override the DIMM capabilities
- If you do mix DIMM speeds, the memory bus will default to the minimum clock rate of all DIMMs in the system - even if the slower DIMM is on the other processor
- If you install 1x 1066MHz DIMM in channel 1 and 1x 1333MHz DIMM in channel 2, the maximum speed will be 1066MHz
- If you install 1x 1066MHz DIMM in channel 1 and 5x 1333MHz DIMMs with 1 DIMM Per Channel (DPC) in each of the other channels, the maximum speed will be 1066MHz
- If you install 3DPC in one channel (if applicable) and 1DPC in all other channels, you run at 800MHz
- Maximum memory speed will also depend on the processor
- References to the above MHz speeds are for the various speeds of DDR3 DIMMs; 1333 refers to DDR3-1333, etc.

DIMM slot and configuration diagrams

Basic memory slot & population diagram

- Population order; start with "A" first, "B" second, "C" third, etc.

18 DIMM SLOTS (9 per CPU node)					
	CPU1		CPU2		
	slot #	population order	slot #	population order	
Chnl 1	1	G	1	G	Chnl 1
	2	D	2	D	
	3	A	3	A	
Chnl 2	4	H	4	H	Chnl 2
	5	E	5	E	
	6	B	6	B	
Chnl 3	7	I	7	I	Chnl 3
	8	F	8	F	
	9	C	9	C	

Standard memory configuration (1 CPU model)

- 6GB, consisting of three (3) 2GB dual-rank PC3-10600 RDIMMs

QuickSpecs

HP ProLiant DL370 Generation 6 (G6) HP ProLiant ML370 Generation 6 (G6)

Memory

	CPU1		CPU2		
	slot #	population order	slot #	population order	
Chnl 1	1	G; empty	1	G; empty	Chnl 1
	2	D; empty	2	D; empty	
	3	A; 2GB DIMM	3	A; empty	
Chnl 2	4	H; empty	4	H; empty	Chnl 2
	5	E; empty	5	E; empty	
	6	B; 2GB DIMM	6	B; empty	
Chnl 3	7	I; empty	7	I; empty	Chnl 3
	8	F; empty	8	F; empty	
	9	C; 2GB DIMM	9	C; empty	

Standard memory plus optional memory (1 CPU model)

- 54GB, consisting of three (3) 2GB RDIMMs plus six (6) 8GB RDIMMs
 - 3x 2GB dual-rank PC3-10600 RDIMMs
 - 6x 8GB dual-rank PC3-10600 or PC3-8500 RDIMMs

	CPU1		CPU2		
	slot #	population order	slot #	population order	
Chnl 1	1	G; 8GB DIMM	1	G; empty	Chnl 1
	2	D; 8GB DIMM	2	D; empty	
	3	A; 2GB DIMM	3	A; empty	
Chnl 2	4	H; 8GB DIMM	4	H; empty	Chnl 2
	5	E; 8GB DIMM	5	E; empty	
	6	B; 2GB DIMM	6	B; empty	
Chnl 3	7	I; 8GB DIMM	7	I; empty	Chnl 3
	8	F; 8GB DIMM	8	F; empty	
	9	C; 2GB DIMM	9	C; empty	

Standard memory replaced with optional memory (1 CPU model)

RDIMM maximum configuration

- 72GB, consisting of nine (9) 8GB dual-rank PC3-10600 or PC3-8500 RDIMMs

QuickSpecs

HP ProLiant DL370 Generation 6 (G6) HP ProLiant ML370 Generation 6 (G6)

Memory

	CPU1		CPU2		
	slot #	population order	slot #	population order	
Chnl 1	1	G; 8GB DIMM	1	G; empty	Chnl 1
	2	D; 8GB DIMM	2	D; empty	
	3	A; 8GB DIMM	3	A; empty	
Chnl 2	4	H; 8GB DIMM	4	H; empty	Chnl 2
	5	E; 8GB DIMM	5	E; empty	
	6	B; 8GB DIMM	6	B; empty	
Chnl 3	7	I; 8GB DIMM	7	I; empty	Chnl 3
	8	F; 8GB DIMM	8	F; empty	
	9	C:8GB DIMM	9	C:empty	

UDIMM maximum configuration (1 CPU model)

- 24GB, consisting of six (6) 4GB dual-rank PC3-10600 UDIMMs

	CPU1		CPU2		
	slot #	population order	slot #	population order	
Chnl 1	1	G; empty	1	G; empty	Chnl 1
	2	D; 4GB DIMM	2	D; empty	
	3	A; 4GB DIMM	3	A; empty	
Chnl 2	4	H; empty	4	H; empty	Chnl 2
	5	E; 4GB DIMM	5	E; empty	
	6	B; 4GB DIMM	6	B; empty	
Chnl 3	7	I; empty	7	I; empty	Chnl 3
	8	F; 4GB DIMM	8	F; empty	
	9	C; 4GB DIMM	9	C; empty	

Standard memory replaced with optional memory (2 CPU model)

RDIMM maximum configuration

- 384GB, consisting of twelve (12) 32GB Quad-Rank PC3-8500 RDIMMs

QuickSpecs

HP ProLiant DL370 Generation 6 (G6) HP ProLiant ML370 Generation 6 (G6)

Memory

	CPU1		CPU2		
	slot #	population order	slot #	population order	
Chnl 1	1	G; empty	1	G; empty	Chnl 1
	2	D; 32GB DIMM	2	D; 32GB DIMM	
	3	A; 32GB DIMM	3	A; 32GB DIMM	
Chnl 2	4	H; empty	4	H; empty	Chnl 2
	5	E; 32GB DIMM	5	E; 32GB DIMM	
	6	B; 32GB DIMM	6	B; 32GB DIMM	
Chnl 3	7	I; empty	7	I; empty	Chnl 3
	8	F; 32GB DIMM	8	F; 32GB DIMM	
	9	C; 32GB DIMM	9	C; 32GB DIMM	

UDIMM maximum configuration (2 CPU model)

- 48GB, consisting of twelve (12) 4GB dual-rank PC3-10600 UDIMMs

	CPU1		CPU2		
	slot #	population order	slot #	population order	
Chnl 1	1	G; empty	1	G; empty	Chnl 1
	2	D; 4GB DIMM	2	D; 4GB DIMM	
	3	A; 4GB DIMM	3	A; 4GB DIMM	
Chnl 2	4	H; empty	4	H; empty	Chnl 2
	5	E; 4GB DIMM	5	E; 4GB DIMM	
	6	B; 4GB DIMM	6	B; 4GB DIMM	
Chnl 3	7	I; empty	7	I; empty	Chnl 3
	8	F; 4GB DIMM	8	F; 4GB DIMM	
	9	C; 4GB DIMM	9	C; 4GB DIMM	

NOTE: Capacity references are rounded to the common Gigabyte values.

- 1GB = 1024MB
- 2GB = 2048MB
- 4GB = 4096MB
- 8GB = 8192MB
- 16GB = 16384MB

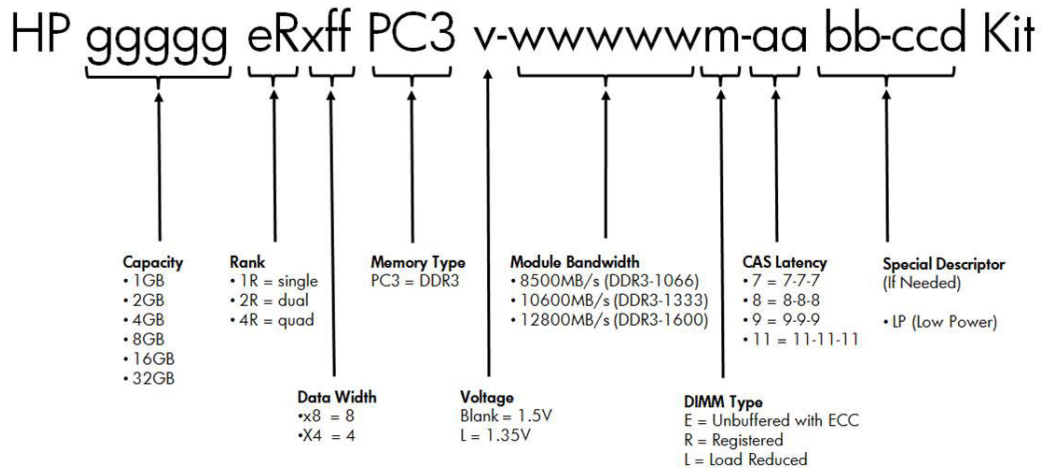
DDR3 memory options part number decoder



QuickSpecs

HP ProLiant DL370 Generation 6 (G6) HP ProLiant ML370 Generation 6 (G6)

Memory



Following are memory options available from HP:

HP Memory

Registered DIMMs (RDIMMs)

HP 2GB (1x2GB) Dual Rank x8 PC3-10600 (DDR3-1333) Registered CAS-9 Memory Kit	500656-B21
HP 4GB (1x4GB) Dual Rank x4 PC3-10600 (DDR3-1333) Registered CAS-9 Memory Kit	500658-B21
HP 4GB (1x4GB) Single Rank x4 PC3-10600 (DDR3-1333) Registered CAS-9 Memory Kit	593339-B21
HP 4GB (1x4GB) Single Rank x4 PC3L-10600 (DDR3-1333) Registered CAS-9 Low Power Memory Kit	604504-B21

NOTE: Low Voltage DIMMs can only be used with Intel® Xeon® processor 5600 series processors.

HP 8GB (1x8GB) Dual Rank x4 PC3-10600 (DDR3-1333) Registered CAS-9 Memory Kit	500662-B21
HP 8GB (1x8GB) Dual Rank x4 PC3L-10600 (DDR3-1333) Registered CAS-9 Low Power Memory Kit	604506-B21

NOTE: Low Voltage DIMMs can only be used with Intel® Xeon® processor 5600 series processors.

HP 16GB (1x16GB) Quad Rank x4 PC3-8500 (DDR3-1066) Registered CAS-7 Memory Kit	500666-B21
HP 16GB (1x16GB) Dual Rank x4 PC3L-10600 (DDR3-1333) Registered CAS-9 LP Memory Kit	627812-B21
HP 32GB (1x32GB) Quad Rank x4 PC3L-8500 (DDR3-1066) Registered CAS-7 LP Memory Kit	627814-B21

Unbuffered with ECC DIMMs (UDIMMs)

HP 1GB (1x1GB) Single Rank x8 PC3-10600 (DDR3-1333) Unbuffered CAS-9 Memory Kit	500668-B21
HP 2GB (1x2GB) Dual Rank x8 PC3-10600 (DDR3-1333) Unbuffered CAS-9 Memory Kit	500670-B21
HP 4GB (1x4GB) Dual Rank x8 PC3-10600 (DDR3-1333) Unbuffered CAS-9 Memory Kit	500672-B21
HP 4GB (1x4GB) Dual Rank x8 PC3L-10600 (DDR3-1333) Unbuffered CAS-9 Low Power Memory Kit	619488-B21

NOTE: All DDR3 memory option kits consist of one DIMM per kit. For detailed memory configuration rules and guidelines, please use the Online DDR3 Memory Configuration Tool: www.hp.com/go/ddr3memory-configurator.

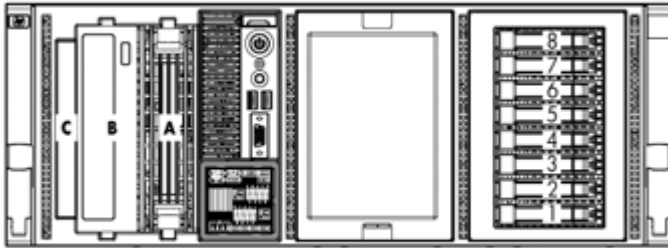
NOTE: Kits described as LP include Low Power DIMMs. For more information on ProLiant Energy Efficient Features, see: www.hp.com/go/proliant-energy-efficient.



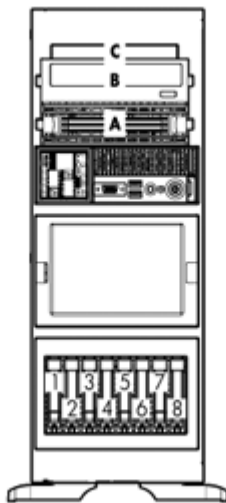
QuickSpecs

HP ProLiant DL370 Generation 6 (G6) HP ProLiant ML370 Generation 6 (G6)

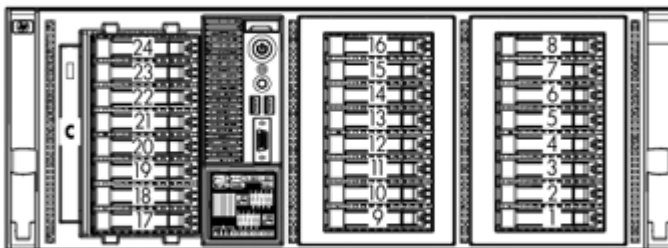
Storage



- A Removable media bay
- B SATA DVD-ROM Drive (Standard in all BTO Models)
- C Optical Drive (blank)
- 1-8 Eight SFF SAS/SATA HDD Bays (Standard in all BTO Models)



- A Removable media bay
- B SATA DVD-ROM Drive (Standard in all BTO Models)
- C Optical Drive (blank)
- 1-8 Eight SFF SAS/SATA HDD Bays (Standard in all BTO Models)

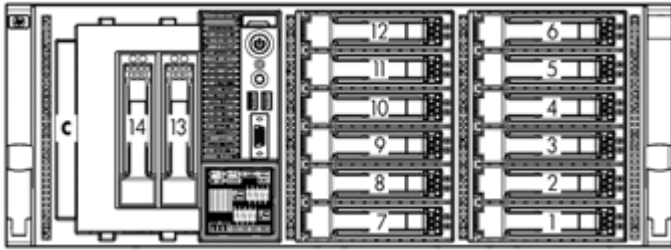


- 1-8 Eight SFF SAS/SATA HDD Bays (Standard in all BTO Models)
- 1-24 Twenty-four small form factor (SFF) hot-plug drive bays to support Serial-attached SCSI (SAS) and Serial ATA (SATA) drives with optional drive cages (up to three 8 SFF drive cage can be installed)

QuickSpecs

HP ProLiant DL370 Generation 6 (G6) HP ProLiant ML370 Generation 6 (G6)

Storage



1-14 Fourteen large form factor (LFF) hot-plug drive bays to support Serial-attached SCSI (SAS) and Serial ATA (SATA) drives with optional drive cages

Drive Support

	Quantity Supported	Position Supported	Controller
Removable Media			
Half-Height SATA DVD-ROM Optical Drive	Up to 2	A, B	Integrated IDE
Half-Height SATA DVD RW Optical Drive	Up to 2	A, B	Integrated IDE
HP Slim 12.7mm SATA DVD-ROM Optical Drive	1 NOTE: Also please use if the 3 drive cage is populated	C	Integrated IDE
HP Slim 12.7mm SATA DVD-RW Optical Drive	1 NOTE: Also please use if the 3 drive cage is populated	C	Integrated IDE

Hard Drives

NOTE: The components of a storage subsystem (e.g. the drive, the HBA/controller, firmware, and the server backplane) should operate at the same data transfer rate or the system bandwidth will be negotiated down to an acceptable level for all components.

NOTE: Hard drives have either a one year or three year warranty; refer to the specific hard drive QuickSpecs for details.

SAS Hot Plug SFF (2.5-inch) Enterprise (ENT) Drives

	Quantity Supported	Position Supported	Controller
900GB 6G SAS 10K	Up to 24	1-8	HP Smart Array P212/Zero Memory Controller
600GB 6G SAS 10K		1-24	HP Smart Array P212/ 256 MB Controller
450GB 6G SAS 10K			HP Smart Array P410/256 MB Controller
300GB 6G SAS 10K			HP Smart Array P410/512 MB BBWC Controller
300GB 6G SAS 15K			HP Smart Array P410/512 MB FBWC Controller
146GB 6G SAS 15K			HP Smart Array P410/1G FBWC Controller
			HP Smart Array P411/256 MB Controller
			HP Smart Array P411/512 MB BBWC Controller

QuickSpecs

HP ProLiant DL370 Generation 6 (G6) HP ProLiant ML370 Generation 6 (G6)

Storage

HP Smart Array P411/512 MB FBWC Controller
HP Smart Array P411/1G FBWC Controller
HP Smart Array P812/1G FBWC Controller

SAS Hot Plug LFF (3.5-inch) Enterprise (ENT) Drives

	Quantity Supported	Position Supported	Controller
600GB 6G SAS 15K	Up to 14	1-14	HP Smart Array P212/Zero Memory Controller
450GB 6G SAS 15K			HP Smart Array P212/ 256 MB Controller
300GB 6G SAS 15K			HP Smart Array P410/256 MB Controller
			HP Smart Array P410/512 MB BBWC Controller
			HP Smart Array P410/512 MB FBWC Controller
			HP Smart Array P410/1G FBWC Controller
			HP Smart Array P411/256 MB Controller
			HP Smart Array P411/512 MB BBWC Controller
			HP Smart Array P411/512 MB FBWC Controller
			HP Smart Array P411/1G FBWC Controller
			HP Smart Array P812/1G FBWC Controller

SAS Hot Plug SFF (2.5-inch) Midline (MDL) Drives

	Quantity Supported	Position Supported	Controller
1TB 6G SAS 7.2K	Up to 14	1-14	HP Smart Array P212/Zero Memory Controller
500GB 6G SAS 7.2K			HP Smart Array P212/ 256 MB Controller
			HP Smart Array P410/256 MB Controller
			HP Smart Array P410/512 MB BBWC Controller
			HP Smart Array P410/512 MB FBWC Controller
			HP Smart Array P410/1G FBWC Controller
			HP Smart Array P411/256 MB Controller
			HP Smart Array P411/512 MB BBWC Controller
			HP Smart Array P411/512 MB FBWC Controller
			HP Smart Array P411/1G FBWC Controller
			HP Smart Array P812/1G FBWC Controller

SAS Hot Plug LFF (3.5-inch) Midline (MDL) Drives

	Quantity Supported	Position Supported	Controller
3TB 6G SAS 7.2K	Up to 14	1-14	HP Smart Array P212/Zero Memory Controller
2TB 6G SAS 7.2K			HP Smart Array P212/ 256 MB Controller
1TB 6G SAS 7.2K			HP Smart Array P410/256 MB Controller
			HP Smart Array P410/512 MB BBWC Controller
			HP Smart Array P410/512 MB FBWC Controller
			HP Smart Array P410/1G FBWC Controller
			HP Smart Array P411/256 MB Controller
			HP Smart Array P411/512 MB BBWC Controller
			HP Smart Array P411/512 MB FBWC Controller



QuickSpecs

HP ProLiant DL370 Generation 6 (G6) HP ProLiant ML370 Generation 6 (G6)

Storage

HP Smart Array P411/1G FBWC Controller
HP Smart Array P812/1G FBWC Controller

SATA Hot Plug SFF (2.5-inch) Midline (MDL) Drives

	Quantity Supported	Position Supported	Controller
1TB 3G SATA 7.2K	Up to 24	1-8	HP Smart Array P212/Zero Memory Controller
500GB 3G SATA 7.2K		1-24	HP Smart Array P212/ 256 MB Controller HP Smart Array P410/256 MB Controller HP Smart Array P410/512 MB BBWC Controller HP Smart Array P410/512 MB FBWC Controller HP Smart Array P410/1G FBWC Controller HP Smart Array P411/256 MB Controller HP Smart Array P411/512 MB BBWC Controller HP Smart Array P411/512 MB FBWC Controller HP Smart Array P411/1G FBWC Controller HP Smart Array P812/1G FBWC Controller

SATA Hot Plug LFF (3.5-inch) Midline (MDL) Drives

	Quantity Supported	Position Supported	Controller
3TB 3G SATA 7.2K 2TB 3G SATA 7.2K 1TB 3G SATA 7.2K 500GB 3G SATA 7.2K	Up to 14	1-14	HP Smart Array P212/Zero Memory Controller HP Smart Array P212/ 256 MB Controller HP Smart Array P410/256 MB Controller HP Smart Array P410/512 MB BBWC Controller HP Smart Array P410/512 MB FBWC Controller HP Smart Array P410/1G FBWC Controller HP Smart Array P411/256 MB Controller HP Smart Array P411/512 MB BBWC Controller HP Smart Array P411/512 MB FBWC Controller HP Smart Array P411/1G FBWC Controller HP Smart Array P812/1G FBWC Controller

SATA Hot Plug LFF (3.5-inch) Entry (ETV) Drives

	Quantity Supported	Position Supported	Controller
250GB 3G SATA 7.2K	Up to 14	1-14	HP Smart Array P212/Zero Memory Controller HP Smart Array P212/ 256 MB Controller HP Smart Array P410/256 MB Controller HP Smart Array P410/512 MB BBWC Controller HP Smart Array P410/512 MB FBWC Controller HP Smart Array P410/1G FBWC Controller HP Smart Array P411/256 MB Controller HP Smart Array P411/512 MB BBWC Controller HP Smart Array P411/512 MB FBWC Controller HP Smart Array P411/1G FBWC Controller



QuickSpecs

HP ProLiant DL370 Generation 6 (G6) HP ProLiant ML370 Generation 6 (G6)

Storage

HP Smart Array P812/1G FBWC Controller

SATA Hot Plug 2.5" Enterprise Mainstream Solid State Drives

	Quantity Supported	Position Supported	Controller
400GB 3.0G SATA SSD	Up to 24	1-8	HP Smart Array P212/Zero Memory Controller
200GB 3.0G SATA SSD		1-24	HP Smart Array P212/ 256 MB Controller
100GB 3.0G SATA SSD			HP Smart Array P410/256 MB Controller
			HP Smart Array P410/512 MB BBWC Controller
			HP Smart Array P410/512 MB FBWC Controller
			HP Smart Array P410/1G FBWC Controller
			HP Smart Array P411/256 MB Controller
			HP Smart Array P411/512 MB BBWC Controller
			HP Smart Array P411/512 MB FBWC Controller
			HP Smart Array P411/1G FBWC Controller
			HP Smart Array P812/1G FBWC Controller

SATA Hot Plug 3.5" Midline (MDL) Solid State Drives

	Quantity Supported	Position Supported	Controller
400GB 3.0G SATA	Up to 14	1-14	HP Smart Array P212/Zero Memory Controller
200GB 3.0G SATA			HP Smart Array P212/ 256 MB Controller
100GB 3.0G SATA			HP Smart Array P410/256 MB Controller
			HP Smart Array P410/512 MB BBWC Controller
			HP Smart Array P410/512 MB FBWC Controller
			HP Smart Array P410/1G FBWC Controller
			HP Smart Array P411/256 MB Controller
			HP Smart Array P411/512 MB BBWC Controller
			HP Smart Array P411/512 MB FBWC Controller
			HP Smart Array P411/1G FBWC Controller
			HP Smart Array P812/1G FBWC Controller

6G SAS Hot Plug Enterprise Performance Solid State Drives

	Quantity Supported	Position Supported	Controller
200GB 6G SAS SLC SFF	Up to 24	1-8	HP Smart Array P212/Zero Memory Controller
400GB 6G SAS SLC SFF		1-24	HP Smart Array P212/ 256 MB Controller
			HP Smart Array P410/256 MB Controller
			HP Smart Array P410/512 MB BBWC Controller
			HP Smart Array P410/512 MB FBWC Controller
			HP Smart Array P410/1G FBWC Controller
			HP Smart Array P411/256 MB Controller
			HP Smart Array P411/512 MB BBWC Controller
			HP Smart Array P411/512 MB FBWC Controller
			HP Smart Array P411/1G FBWC Controller
			HP Smart Array P812/1G FBWC Controller



QuickSpecs

HP ProLiant DL370 Generation 6 (G6) HP ProLiant ML370 Generation 6 (G6)

Storage

6G SAS Hot Plug Enterprise Mainstream Solid State Drives

	Quantity Supported	Position Supported	Controller
800GB 6G SAS MLC SFF	Up to 24	1-8	HP Smart Array P212/Zero Memory Controller
400GB 6G SAS MLC SFF		1-24	HP Smart Array P212/ 256 MB Controller
200GB 6G SAS MLC SFF			HP Smart Array P410/256 MB Controller
			HP Smart Array P410/512 MB BBWC Controller
			HP Smart Array P410/512 MB FBWC Controller
			HP Smart Array P410/1G FBWC Controller
			HP Smart Array P411/256 MB Controller
			HP Smart Array P411/512 MB BBWC Controller
			HP Smart Array P411/512 MB FBWC Controller
			HP Smart Array P411/1G FBWC Controller
			HP Smart Array P812/1G FBWC Controller

External Storage

	Quantity Supported	Position Supported	Host Controller or Adapter
D2600 Disk Enclosure	Up to 4	External	HP Smart Array P212/256 MB Controller
			HP Smart Array P411/256 MB Controller
	HP Smart Array P411/512 MB BBWC Controller		
	HP Smart Array P411/512 MB FBWC Controller		
	HP Smart Array P411/1G FBWC Controller		
Up to 8	HP Smart Array P812/1G Flash Backed Cache Controller		
D2700 Disk Enclosure	Up to 2	External	HP Smart Array P212/256 MB Controller
			HP Smart Array P411/256 MB Controller
	HP Smart Array P411/512 MB BBWC Controller		
	HP Smart Array P411/512 MB FBWC Controller		
	HP Smart Array P411/1G FBWC Controller		
Up to 4	HP Smart Array P812/1G Flash Backed Cache Controller		

Tape and Disk Backup

NOTE: For the complete range of tape drives, autoloaders, libraries and media, including the internal fitting models, see: <http://www.hp.com/go/tape>. For the complete range of D2D Backup Systems see: <http://www.hp.com/go/d2d>. For the complete range of RDX drives and media see: <http://www.hp.com/go/rdx>. For hardware and software compatibility of HP disk and tape backup products see: <http://www.hp.com/storage/SPOCK>.

	Position Supported	Controller	Part Number
HP SCSI Tape Drives	Internal or External	HP U320e SCSI Dual Channel Host Bus Adapter	
LTO-1 Ultrium 232			
LTO-2 Ultrium 448			
LTO-3 Ultrium 920			



QuickSpecs

HP ProLiant DL370 Generation 6 (G6) HP ProLiant ML370 Generation 6 (G6)

Storage

L1U-3 Ultrium 960
LTO4 Ultrium 1760
LTO-4 Ultrium 1840
DAT 40
DAT 72
DAT 160

NOTE: Please check the full compatibility information at:
<http://www.hp.com/storage/SPOCK>

HP USB Tape Drives

DAT 40
DAT 72
DAT 160
DAT 320

Internal or
External

USB 2.0 Port

N/A

HP USB Rack Mount Kits

1U USB Rack-Mount Kit

External

USB 2.0 Port

USB 2.0 Port

HP SAS Tape Drives

DAT 160
DAT 320
LTO-2 Ultrium 448
LTO-3 Ultrium 920
LTO-4 Ultrium 1760
LTO-4 Ultrium 1840
LTO-5 Ultrium 3000
LTO-5 Ultrium 3280

Internal or
External

HP Smart Array P212/ZM 1-ports Int/1-ports Ext PCIe x8 SAS
Controller

462828-B21

NOTE: Please check the full compatibility information at:
<http://www.hp.com/storage/SPOCK>

HP SAS Rack Mount Kits

1U Rack-Mount Kit
3U Rack-Mount Kit

External

HP Smart Array P212/ZM 1-ports Int/1-ports Ext PCIe x8 SAS
Controller

462828-B21

NOTE: Please check the full compatibility information at:
<http://www.hp.com/storage/SPOCK>

HP SCSI Tape Autoloaders

DAT 72x10 Autoloader
1/8 G2 Autoloader

External

NOTE: Please check the full compatibility information at:
<http://www.hp.com/storage/SPOCK>

HP SCSI Tape Libraries

MSL2024
MSL4048
MSL8096
MSL6000

External

NOTE: Please check the full compatibility information at:
<http://www.hp.com/storage/SPOCK>

HP SAS Tape Autoloaders and Libraries

1/8 G2 Autoloader
MSL2024
MSL4048
MSL8096

External

HP Smart Array P212/ZM 1-ports Int/1-ports Ext PCIe x8 SAS
Controller

462828-B21

NOTE: Please check the full compatibility information at:
<http://www.hp.com/storage/SPOCK>



QuickSpecs

HP ProLiant DL370 Generation 6 (G6) HP ProLiant ML370 Generation 6 (G6)

Storage

HP Fibre Channel Tape Libraries MSL2024 MSL4048 MSL8096 MSL6000	External	Please consult the EBS connectivity matrix at: http://www.hp.com/go/ebs for connectivity information and the supported Fibre Channel HBAs shown in this QuickSpecs.	N/A
HP USB RDX Removable Disk Backup System RDX160 RDX320 RDX500 RDX750 RDX1TB	Internal or External	USB 2.0 port	N/A
HP D2D Backup Systems, iSCSI D2D2500i D2D4000i	External	Embedded Network Controller. If the server requires a hardware iSCSI initiator, the QLogic QLA4050 Host Bus Adapter is recommended.	N/A
HP D2D Backup Systems, Fibre Channel D2D4000fc	External	Direct server attach is not supported, requires connection via SAN fabric. See: http://www.hp.com/storage/SPOCK	N/A

QuickSpecs

HP ProLiant DL370 Generation 6 (G6) HP ProLiant ML370 Generation 6 (G6)

Power Specifications

HP 460W Common Slot Gold Hot Plug Power Supply Kit							
Part Number	503296-B21						
Input Voltage Range (V rms)	100 to 240						
Frequency Range (Nominal) (Hz)	50/60						
Nominal Input Voltage (Vrms)	100	120	200	208	220	230	240
Maximum Rated Output Wattage Rating	460	460	460	460	460	460	460
Nominal Input Current (A rms)	5.5	4.5	2.6	2.5	2.4	2.3	2.2
Maximum Rated Input Wattage Rating (Watts)	526	520	505	505	503	503	503
Maximum Rated VA (Volt-Amp)	548	542	527	527	524	524	524
Efficiency (%)	87.5	88.5	91	91	91.5	91.5	91.5
Power Factor	0.97						
Leakage Current (mA)	0.42	0.50	0.83	0.87	0.92	0.96	1.00
Maximum Inrush Current (A peak)	30						
Maximum Inrush Current duration (mS)	20						
Maximum British Thermal Unit Rating (BTU-Hr)	1794	1773	1725	1725	1715	1715	1715

HP 750W Common Slot Gold Hot Plug Power Supply Kit							
Part Number	512327-B21						
Input Voltage Range (V rms)	100 to 240						
Frequency Range (Nominal) (Hz)	50/60						
Nominal Input Voltage (Vrms)	100	120	200	208	220	230	240
Maximum Rated Output Wattage Rating	750	750	750	750	750	750	750
Nominal Input Current (A rms)	8.9	7.4	4.3	4.1	3.9	3.7	3.6
Maximum Rated Input Wattage Rating (Watts)	857	847	824	824	820	820	820
Maximum Rated VA (Volt-Amp)	894	884	859	854	854	854	
Efficiency (%)	87.5	88.5	91	91	91.5	91.5	91.5
Power Factor	0.97						
Leakage Current (mA)	0.42	0.50	0.83	0.87	0.92	0.96	1.00
Maximum Inrush Current (A peak)	30						
Maximum Inrush Current duration (mS)	20						
Maximum British Thermal Unit Rating (BTU-Hr)	2925	2892	2812	2812	2797	2797	2797

QuickSpecs

HP ProLiant DL370 Generation 6 (G6) HP ProLiant ML370 Generation 6 (G6)

Power Specifications

HP 1200W Common Slot Silver Hot Plug Power Supply Kit							
Part Number	500172-B21						
Input Voltage Range (V rms)	100 to 240						
Frequency Range (Nominal) (Hz)	50/60						
Nominal Input Voltage (Vrms)	100	120	200	208	220	230	240
Maximum Rated Output Wattage Rating	800	900	1200	1200	1200	1200	1200
Nominal Input Current (A rms)	9.7	9.0	7.0	6.8	6.4	6.1	5.9
Maximum Rated Input Wattage Rating (Watts)	930	1034	1348	1348	1348	1348	1348
Maximum Rated VA (Volt-Amp)	970	1079	1406	1406	1406	1406	1406
Efficiency (%)	86	87	89	89	89	89	89
Power Factor	0.97						
Leakage Current (mA)	0.42	0.50	0.83	0.87	0.92	0.96	1.00
Maximum Inrush Current (A peak)	30						
Maximum Inrush Current duration (mS)	20						
Maximum British Thermal Unit Rating (BTU-Hr)	3174	3530	4600	4600	4600	4600	4600

To review typical system power ratings use the Active Answers HP Power Advisor which is available via the online tool located at URL: www.hp.com/go/proliant-energy-efficient or www.hp.com/go/hppoweradvisor

To drill down to calculators:

- Click on: "ProLiant Servers"
- Click on the Server of interest. Example: DL370 G6 or ML370 G6
- Click on: "Power Calculator" link. (You may need to scroll down to see it)

QuickSpecs

HP ProLiant DL370 Generation 6 (G6) HP ProLiant ML370 Generation 6 (G6)

Technical Specifications

System Unit	Tower Dimensions (H x W x D) (with bezel)	18.52 x 9.75 x 29.12 in (47.04 x 24.77 x 73..96 cm)	
	Rack Dimensions (H x W x D) (with bezel)	6.88 x 19.03 x 27.53 in (17.48 x 48.34 x 69.93 cm)	
	Tower Weight (approximate)	Maximum	96.34 lb (43.70 kg)
		(All hard drives, power supply, and processor installed)	
		Minimum	66.14 lb (30.00 kg)
		(one hard drive, power supply, and processor installed)	
	Rack Weight (approximate)	Maximum	85.69 lb (38.87 kg)
		(All hard drives, power supply, and processor installed)	
		Minimum	55.12 lb (25.00 kg)
		(one hard drive, power supply, and processor installed)	
	Input Requirements (per power supply)	Rated Line Voltage	90 - 132 VAC, 180 - 264 VAC
		Rated Input Current	7.5A (at 100 VAC), 3.8A (at 200 VAC)
		Rated Input Frequency	47 to 63 Hz
		Rated Input Power	980W (at 100 VAC) 1035W (at 120 VAC) 1170W (at 240 VAC)
	BTU Rating	Maximum	460W - 1773 BTU / hr (at 120 VAC), 1715 (at 240 VAC) 750W - 2892 BTU / hr (at 120 VAC), 2797 (at 240 VAC) 1200W - 3530 BTU / hr (at 120 VAC), 4600 (at 240 VAC)
	Power Specifications	To review typical system power ratings use the HP Power Advisor which is available via the online tool located at URL: www.hp.com/go/proliant-energy-efficient	
		- Click on the system of interest. Example: DL370 G6 or ML370 G6 - Follow the instructions of the next screens.	
	Power Supply Output (per power supply)	Rated Steady-State Power	460 W (at 100 VAC)
		Maximum Peak Power	460 W (at 200 VAC) 460 W (at 100 VAC) 460 W (at 200 VAC)
		NOTE: See Power Supply Specifications tables for complete details on 460W PSU and optional 750W and 1200W Power Supply Options.	



QuickSpecs

HP ProLiant DL370 Generation 6 (G6) HP ProLiant ML370 Generation 6 (G6)

Technical Specifications

System Inlet Temperature	Operating	10° to 35°C (50° to 95°F) at sea level with an altitude derating of 1.0°C per every 305 m (1.8°F per every 1000 ft) above sea level to a maximum of 3050 m (10,000 ft), no direct sustained sunlight. Maximum rate of change is 10°C/hr (18°F/hr). The upper limit may be limited by the type and number of options installed. System performance may be reduced if operating with a fan fault or above 30°C (86°F).
	Non-operating	-30° to 60°C (-22° to 140°F). Maximum rate of change is 20°C/hr (36°F/hr).
Relative Humidity (non-condensing)	Operating	10 to 90% relative humidity (Rh), 28°C (82.4°F) maximum wet bulb temperature, non-condensing.
	Non-operating	10 to 95% relative humidity (Rh), 38.7°C (101.7°F) maximum wet bulb temperature, non-condensing.
Altitude	Operating	3048 m (10,000 ft). This value may be limited by the type and number of options installed. Maximum allowable altitude change rate is 457 m/min (1500 ft/min).
	Non-operating	9144 m (30,000 ft). Maximum allowable altitude change rate is 457 m/min (1500 ft/min).
Acoustic Noise	Listed are the declared A-Weighted sound power levels (LWAd) and declared average bystander position A-Weighted sound pressure levels (LpAm) when the product is operating in a 23°C ambient environment. Noise emissions were measured in accordance with ISO 7779 (ECMA 74) and declared in accordance with ISO 9296 (ECMA 109).	
	Idle	
	L WAd	4.6 B for 1P Non-Redundant; 4.9 B for 2P Redundant
	L pAm	28 dB for 1P Non-Redundant; 31 dB for 2P Redundant
	Operating	
	L WAd	4.7 B for 1P Non-Redundant; 5.0 B for 2P Redundant
L pAm	29 dB for 1P Non-Redundant; 32 dB for 2P Redundant	
NOTE: The Listed sound levels apply to standard shipping configurations. Additional options may result in increased sound levels.		
Emissions Classification (EMC)	FCC Rating	Class B
	Normative Standards	CISPR 22; EN55022; EN55024; FCC CFR 47, Pt 15; ICES-003; CNS13438; GB9254; K22;K24; EN 61000-3-2; EN 61000-3-3; EN 60950-1; IEC 60950-1



QuickSpecs

HP ProLiant DL370 Generation 6 (G6) HP ProLiant ML370 Generation 6 (G6)

Technical Specifications

NOTE: Product conformance to cited product specifications is based on sample (type) testing, evaluation, or assessment. This product or family of products is eligible to bear the appropriate compliance logos and statements.

Smart Array P410i Controller

Dimensions	Embedded
Disk Drive and Enclosure Interface - Transfer rate	6Gb/s SAS (Serial Attached SCSI)
SAS Connectors	3Gb/s SATA (Serial ATA)
Cache Memory Speed	2 internal 4X connectors
Server Interface	DDR2-800MHz with 40 or 72-bit wide bus
SAS Speed	x4 PCIe 2.0 provides 2GB/s maximum bandwidth
Cache Memory	8 6Gb/s SAS links provide 4.8GB/s maximum bandwidth
Logical Drives Supported	Zero Memory RAID has no cache memory 40-bit 256MB ECC protected cache (battery upgrade available) 72-bit 512MB BBWC or 72-bit 512MB and 1G FBWC Zero Memory, Up to 2 logical volumes (8 physical drives)
Host Memory Addressing	Up to 64 logical drives with cache
RAID Support	64-bit, supporting greater than 4GB server memory space RAID 6, 6+0 (Advanced Data Guarding) NOTE: RAID 6, 6+0 can be enabled with one of the following combinations: <ul style="list-style-type: none">• 256 MB cache, Battery kit and Smart Array Advanced Pack License key option upgrades• 512 MB BBWC/FBWC and Smart Array Advanced Pack License key option upgrades• 1G FBWC and Smart Array Advanced Pack License key option upgrades RAID 5, 5+0 (Distributed Data Guarding) NOTE: A minimum of 256 MB cache is required to enable RAID 5, 5+0 support RAID 1+0 (Striping & Mirroring) RAID 0 (Striping), RAID 1 (Mirroring)

QuickSpecs

HP ProLiant DL370 Generation 6 (G6) HP ProLiant ML370 Generation 6 (G6)

Technical Specifications

NC375i Integrated Quad Port Gigabit Server Adapter	Network Interface	10Base-T/100Base-TX/1000Base-TX	
	Compatibility	IEEE 802.3 10Base-T	
		IEEE 802.3ab 1000Base-T	
		IEEE 802.3u 100Base-TX	
		IEEE 802.3ad 1000Base-TX	
		IEEE 802.1p 100Base-TX	
	IEEE 802.1q 100Base-TX		
	Data Transfer Method	PCI Express, four lanes (x4)	
	Controller	Qlogic/NetXen NX3031	
	Network Transfer Rate	10Base-T (Full-Duplex)	20 Mb/s
100Base-TX (Full-Duplex)		200 Mb/s	
1000Base-TX (Full-Duplex)		2000 Mb/s	
Connector	RJ-45		
Cable Support	10Base-T	Categories 3, 4 or 5 UTP up to 328 ft (100 m)	
	100Base-TX	Category 5 or higher UTP; up to 328 ft (100 m)	
	1000Base-TX	Category 5 or higher UTP; up to 328 ft (100 m)	

HP Integrated Lights-Out 2 (iLO 2) integrated on system board	Architecture	32-bit PCI-based health and remote management ASIC	
	Processor	32-bit RISC processor core running at 66MHz	
	Upgradeability	Option firmware upgradeable via Flash ROM	
	Operating System Support	Microsoft Windows Server 2008 Standard Edition (32bit and 64bit)	
		Microsoft Windows Server 2008 Enterprise Edition (32bit and 64bit)	
		Microsoft Windows Server 2003 and Windows Server 2003 R2, and Windows Server 2003 for Extended Systems Standard Edition, Enterprise Edition	
		Red Hat Enterprise Linux 5.4 (32bit and 64bit)	
		SUSE Linux Enterprise Server 11 (32bit and 64bit)	
		SUSE Linux Enterprise Server 10 (32bit and 64bit)	
		VMware ESX 4.0	
VMware ESX 3.5.0			
Microsoft Windows XP Professional Edition			
Microsoft Windows Vista Business and Ultimate Editions			
Red Hat Enterprise Linux Desktop 5.00			
SUSE Linux Enterprise Desktop 11			
SUSE Linux Enterprise Desktop 10			
Client Browser Support	Microsoft Internet Explorer 7		
	Microsoft Internet Explorer 6		
	Firefox 3.5 (on supported Windows and Linux systems) Firefox 3.0 (on supported Windows and Linux systems)		
Command Line Support	Telnet, Secure Shell and serial port access Secure Socket Layer Secure Shell version 2 (Password and certificate)		

QuickSpecs

HP ProLiant DL370 Generation 6 (G6) HP ProLiant ML370 Generation 6 (G6)

Technical Specifications

Security	Advanced Encryption Standard (AES) and Triple Data Encryption Standard (3DES) on browser, CLP and XML scripting interface RC4 encryption of video
Directory Support Services	Active Directory v1.0 (Windows 2003)
Driver Support	Health Driver (HP ProLiant iLO 2 Management Controller Driver) iLO Management Channel Interface Driver
Management protocols supported	SNMP 2, IPMI 2.0 (KCS interface), DMTF Server Management Command Line Protocol Specification (SM CLP), DMTF Web Services Management Specification (WS Management)

Environment-friendly Products and Approach

End-of-life Management and Recycling

Hewlett-Packard offers end-of-life HP product return, trade-in, and recycling programs in many geographic areas. For trade-in information, please go to: <http://www.hp.com/go/green>. To recycle your product, please go to: <http://www.hp.com/go/green> or contact your nearest HP sales office. Products returned to HP will be recycled, recovered or disposed of in a responsible manner.

The EU WEEE directive (2002/95/EC) requires manufacturers to provide treatment information for each product type for use by treatment facilities. This information (product disassembly instructions) is posted on the Hewlett Packard web site at: <http://www.hp.com/go/green>. These instructions may be used by recyclers and other WEEE treatment facilities as well as HP OEM customers who integrate and re-sell HP equipment.

© Copyright 2013 Hewlett-Packard Development Company, L.P.

The information contained herein is subject to change without notice.

Intel, the Intel logo, Xeon and Xeon Inside are trademarks of Intel Corporation in the U.S. and other countries.

Microsoft and Windows NT are US registered trademarks of Microsoft Corporation. Intel is a US registered trademark of Intel Corporation.

The only warranties for HP products and services are set forth in the express warranty statements accompanying such products and services. Nothing herein should be construed as constituting an additional warranty. HP shall not be liable for technical or editorial errors or omissions contained herein.

For hard drives, 1GB = 1 billion bytes. Actual formatted capacity is less.

