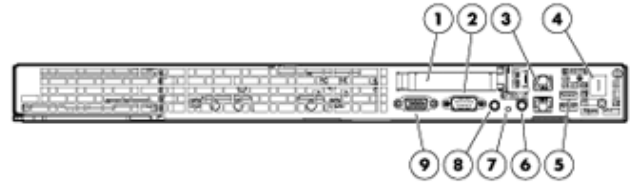
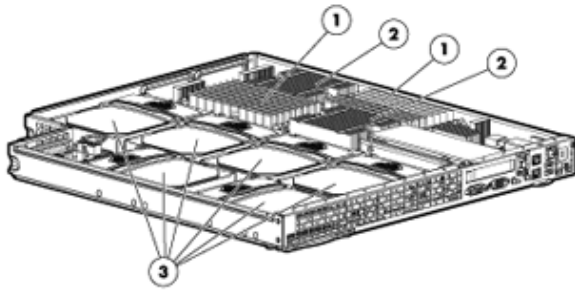


# QuickSpecs

## HP ProLiant SL170z Generation 6 (G6)

### Overview

The HP ProLiant SL170z is part of a new family, HP ProLiant SL6000, of HP server solutions optimized for scale-out customers to greatly reduce costs, maximize power efficiency, and maintain total flexibility. The SL6000 supports up to two independent HP ProLiant SL170z G6 Servers in the 2U HP ProLiant z6000 G6 Chassis. The servers share power supplies and fans, providing greater power and cooling efficiencies. The HP ProLiant SL170z G6 Server is a two socket Intel server with 16 DDR3 DIMM sockets.



#### Open View:

1. 16 DDR3 DIMM slots
2. Up to two Intel® 5600 sequence processors
3. Six 3.5" or eight 2.5" non-hot plug hard drives using a quick release drive carrier

#### Front View:

1. Optional low profile x16 PCI-e Gen 2
2. Serial Port
3. (2) 1Gbit NIC
4. Optional Dedicated Management port
5. (2) USB Ports
6. Power Button
7. Health LED
8. UID
9. Video Port

### What's New

- Support for up to two Intel® 5600 sequence processors
- Support for Low-voltage memory



# QuickSpecs

## HP ProLiant SL170z Generation 6 (G6)

### Standard Features

**NOTE:** For the Standard Features shipped in the Factory Integrated Models, please see the "Configuration Information - Factory Integrated Models" section.

#### Processor

One of the following depending on Model

#### Six-Core Processor

Intel® Xeon® Processor X5680 (3.33 GHz, 12MB L3 Cache, 130W, DDR3-1333, HT, Turbo 1/1/2/2/3/3)

Intel® Xeon® Processor X5670 (2.93 GHz, 12MB L3 Cache, 95W, DDR3-1333, HT, Turbo 2/2/3/3/4/4)

Intel® Xeon® Processor X5660 (2.80 GHz, 12MB L3 Cache, 95W, DDR3-1333, HT, Turbo 2/2/3/3/4/4)

Intel® Xeon® Processor X5650 (2.66 GHz, 12MB L3 Cache, 95W, DDR3-1333, HT, Turbo 2/2/3/3/4/4)

#### Quad-Core Processors

Intel® Xeon® Processor E5640 (2.66 GHz, 12MB L3 Cache, 80W, DDR3-1066, HT, Turbo 1/1/2/2)

Intel® Xeon® Processor E5630 (2.53 GHz, 12MB L3 Cache, 80W, DDR3-1066, HT, Turbo 1/1/2/2)

Intel® Xeon® Processor E5620 (2.40 GHz, 12MB L3 Cache, 80W, DDR3-1066, HT, Turbo 1/1/2/2)

Intel® Xeon® Processor L5640 (2.40 GHz, 12MB L3 Cache, 60W, DDR3-1066, HT, Turbo 2/2/3/3/4/4)

Intel® Xeon® Processor L5630 (2.13 GHz, 12MB L3 Cache, 40W, DDR3-1066, HT, Turbo 1/1/2/2)

Intel® Xeon® Processor X5570 (2.93 GHz, 8MB L3 Cache, 95W, DDR3-1333, HT, Turbo 2/2/3/3)

Intel® Xeon® Processor X5560 (2.8 GHz, 8MB L3 Cache, 95W, DDR3-1333, HT, Turbo, 2/2/3/3)

Intel® Xeon® Processor X5550 (2.66 GHz, 8MB L3 Cache, 95W, DDR3-1333, HT, Turbo, 2/2/3/3)

Intel® Xeon® Processor E5540 (2.53 GHz, 8MB L3 Cache, 80W, DDR3-1066, HT, Turbo 1/1/2/2)

Intel® Xeon® Processor E5520 (2.26 GHz, 8MB L3 Cache, 80W, DDR3-1066, HT, Turbo 1/1/2/2)

Intel® Xeon® Processor E5506 (2.13 GHz, 4MB L3 Cache, 80W, DDR3-800)

Intel® Xeon® Processor E5504 (2.00 GHz, 4MB L3 Cache, 80W, DDR3-800)

Intel® Xeon® Processor L5530 (2.40 GHz, 8MB L3 Cache, 60W, DDR3-1066, HT, Turbo 1/1/2/2)

Intel® Xeon® Processor L5520 (2.26 GHz, 8MB L3 Cache, 60W, DDR3-1066, HT, Turbo 1/1/2/2)

Intel® Xeon® Processor L5506 (2.13 GHz, 4MB L3 Cache, 60W, DDR3-800)

#### Dual-Core Processors

Intel® Xeon® Processor E5503 (2.00 GHz, 4MB L3 Cache, 80W, DDR3-800)

Intel® Xeon® Processor E5502 (1.86 GHz, 4MB L3 Cache, 80W, DDR3-800)

**NOTE:** HT indicates that the processor model supports Intel® Hyper-Threading Technology

**NOTE:** Turbo indicates the maximum potential frequency increment when using Intel® Turbo Boost Technology, with 4, 3, 2, and 1 cores active.

**NOTE:** DDR3 speed is the maximum memory speed of the processor. Actual memory speed may depend on the quantity and type of DIMMs installed.

**NOTE:** For the Intel 5500 and 5600 Series, the letter preceding the model number indicates the performance/wattage of the processor. "X" denotes High Performance/Wattage; "E" denotes Enterprise Performance/Wattage (Mainstream), and "L" denotes Lower Wattage.

**NOTE:** Up to 2 processors supported. Mixing different processor models is not supported.



# QuickSpecs

## HP ProLiant SL170z Generation 6 (G6)

### Standard Features

**Cache Memory**  
One of the following depending on Model

12MB (1 x 12MB) Level 3 cache  
**NOTE:** All 5600 sequence processor models

8MB (1 x 8MB) Level 3 cache  
**NOTE:** All processor models except for those identified below.

4MB (1 x 4MB) Level 3 cache  
**NOTE:** For processors L5506, E5506, E5504, E5503 and E5502.

**Chipset** Intel® 5520 Chipset  
**NOTE:** For more information regarding Intel chipsets, please see the following URL:  
<http://www.intel.com/products/server/chipsets/>

**Upgradeability** Upgradeable to two processors

**Memory Protection** Advanced memory protection

**Memory**

Type	DDR3 Registered (RDIMM) or Unbuffered (UDIMM)
Standard (per server tray)	6 GB (3 x 2 GB) UDIMMs
Maximum (RDIMM) (per server tray)	192 GB (12 x 16 GB) for Registered Memory configurations using PC3-8500R DDR3 Registered (RDIMM) memory, operating at 800MHz when fully populated in 12 slots
Maximum (UDIMM) (per server tray)	48 GB (12 x 4 GB) for Unbuffered Memory configurations using PC3-10600E DDR3 Unbuffered (UDIMM) memory, operating at 1066MHz when fully populated at 2 DIMMs per Channel in 12 slots

**NOTE:** Depending on the memory configuration and processor model, the memory speed may run at 1333MHz, 1066MHz, or 800MHz. Please see the Online Memory Configuration Tool at: [www.hp.com/go/ddr3memory-configurator](http://www.hp.com/go/ddr3memory-configurator).

**NOTE:** Kits described as LP include Low Power DIMMs. For more information on ProLiant Energy Efficient Features, see: [www.hp.com/go/proliant-energy-efficient](http://www.hp.com/go/proliant-energy-efficient).

**Network Controller** HP NC362i Integrated Dual Port Gigabit Server Adapter

**Expansion Slots** **NOTE:** One available PCI Express Gen 2.0 slots. Optional Slot 1: Low profile x16 PCI-Express 2.0.

Expansion Slots #	Technology	Bus Width**	Connector Width	Form Factor	Notes
1	PCI-Express 2.0	x16	x16	Low Profile	3.3 volts

\*\* Indicates the number of physical electrical lanes running to the connector.



# QuickSpecs

## HP ProLiant SL170z Generation 6 (G6)

### Standard Features

#### Storage Controller

HP Embedded Smart Array B110i SATA RAID Controller (RAID 0, 1, 10) per server node

**NOTE:** To enable RAID on Embedded SATA, use the HP Smart Array B110i SATA Raid controller, To enable use of the B110i, enter the ROM based setup utility(RBSU). The option for enabling RAID can be found in the advanced section of the RBSU. For additional details [www.hp.com/go/SATARAID](http://www.hp.com/go/SATARAID).

**NOTE:** Transfer rate: 3.0 Gb/s SATA.

**NOTE:** A HP Smart Array controller is required for SAS Hard Drives

**NOTE:** An external diskette drive, USB floppy drive key or virtual FDD using LO100 Advanced Pack is needed to install storage controller drivers during a Windows operating system installation from a CD.

#### Storage

Diskette Drives	Via USB only
Optical Drives	DVD / CD drives via USB only <b>NOTE:</b> External support only.
Hard Drives	None ship standard
Drive Bays	Support for up to six 3.5" non-hot plug Serial ATA (SATA) or Serial Attached SCSI (SAS) hard drives using a quick release drive carrier.  Support for up to eight 2.5" non-hot plug Serial ATA (SATA), Serial Attached SCSI (SAS), or Solid State Drive (SSD) hard drives using a quick release drive carrier and the SFF drive cage.

#### Maximum Internal Storage

Non-Hot Plug SATA 3.5"	12.0TB	6 x 2TB
Non-Hot Plug SAS 3.5"	1.8TB	6 x 300GB
Non-Hot Plug SATA 2.5"	4TB	8 x 500GB
Non-Hot Plug SAS 2.5"	2.4TB	8 x 300GB
Non-Hot Plug SSD 2.5"	960GB	8 x 120GB

#### Interfaces

Serial	1
Parallel	None
Network RJ-45	2 10/100/1000 NIC ports (1 NIC shared for the HP ProLiant Lights Out 100i Remote Management)
Graphics	1
Management	1 Optional Dedicated LO100i Management Port
Health LED	1 front per server node
Power	1 front per server node
UID	1 front per server node
USB	3 (two front, one internal) <b>NOTE:</b> Please see the following URL for additional information regarding USB support: <a href="http://h18004.www1.hp.com/products/servers/platforms/usb-support.html">http://h18004.www1.hp.com/products/servers/platforms/usb-support.html</a>



# QuickSpecs

## HP ProLiant SL170z Generation 6 (G6)

### Standard Features

Industry Standard Compliance	ACPI V2.0 Compliant
	PCI 2.2 Compliant
	PXE Support
	WOL Support
	Microsoft® Logo certifications
	IPMI 2.0
	DCMI 1.0
SMASH CLP compliant	

---

Server Power Cords	<p>One 6' Highline (IEC-IEC) power cord ships standard</p> <p><b>NOTE:</b> HP ProLiant SL servers are primarily connected to PDU's in data center racks so they ship standard with only a PDU power cord (416151-B21). If a user wishes to power a ProLiant SL server using a 110V receptacle (NEMA-15), the NEMA power cord (227099-001) must be ordered separately.</p> <p><b>NOTE:</b> If customers require a local power cord, they can check the power cord matrix for the appropriate cord. Please see the following power cord matrix: <a href="http://www.hp.com/go/powercordmatrix">http://www.hp.com/go/powercordmatrix</a>.</p>
--------------------	--

---

Common Slot Power Supplies	<p>HP has a new design for ProLiant power-supplies. The new Common Slot (CS) Power Supply provides the customer with commonality in power supplies across multiple platforms to save on the cost of spares and allows HP to offer multiple power solutions to fit the customers' needs. Many HP ProLiant Servers come with or are compatible with high-efficiency power without degrading performance of the ProLiant server. Power Supplies have efficiency ratings up to 94%. There are five right size power options to choose from depending on the configuration of your server. To make sure you select the correct power supply to meet your configuration, please use the HP Power Advisor at: <a href="http://www.hp.com/go/hppoweradvisor">www.hp.com/go/hppoweradvisor</a>. All HP Common Slot power sources are UL, CE Mark Compliant, Hot Plug and Redundant.</p>
----------------------------	--

It is highly recommended that you use the HP Power Calculator in defining the "Right-Size" power supply for your needs.

The HP ProLiant Common Slot Power supplies meet multiple Energy Efficiency Initiatives: Climate Savers Computing Initiative GOLD and ECOS Consulting 80PLUS GOLD for the 460w and 750w Power Supplies and Climate Savers Computing Initiative PLATINUM, ECOS Consulting 80PLUS PLATINUM for 1200w Power Supply. HP worked with the EPA on developing an ENERGY STAR Computer Server specification and we now offer models that meet the requirements. Please visit the ENERGY STAR website at: [www.energystar.gov](http://www.energystar.gov) for a list of qualified platforms.

Optional power supplies can be purchased through power supply option kits (see Power Supply Options for part numbers).

---

System Fans	3 system fans ship standard in z6000 chassis
-------------	--

---

Required Cabling	For required cabling information, refer to the HP Web site at: <a href="http://www.hp.com/servers/sl170z">www.hp.com/servers/sl170z</a> .
------------------	---

---



# QuickSpecs

## HP ProLiant SL170z Generation 6 (G6)

### Standard Features

#### Operating Systems and Virtualization Software Support for ProLiant Servers

Microsoft Windows Server  
Microsoft Windows Server Hyper V  
Microsoft HPC Server 2008  
Red Hat Enterprise Linux (RHEL)  
SUSE Linux Enterprise Server (SLES)  
Solaris  
VMware ESX  
Citrix Essentials for XenServer

**NOTE:** For more information on HP's Certified and Supported ProLiant Servers for OS and Virtualization Software and latest listing of software drivers available for your server, please visit our Support Matrix at: <http://www.hp.com/go/ossupport> and our driver download page [www.hp.com/support/sl2x170zG6](http://www.hp.com/support/sl2x170zG6)

---

**Graphics** 32MB shared supporting 1600x1200x16M resolution

---

**Form Factor** HP ProLiant z6000 G6 Chassis - 2U Chassis can support up to two SL170z server trays in the 2U chassis  
HP ProLiant SL170z G6 Server - 1U server tray

---

**Embedded Manageability** HP LO100 Advanced HP Lights-Out 100 with Optional LO100 Advanced Licenses for Virtual KVM and Virtual Media.

#### Standard Features:

- Embedded IPMI standard reporting
- System event log access
- Remote Serial console (serial redirection)
- Browser, Telnet access
- SMASH-CLP compliant
- IPMI 2.0 compliant
- DCMI 1.0 Compliant
- Secure Socket Layer Encryption
- Secure Shell Encryption

#### Licensed Features:

- Virtual media (Floppy, CD, USB 2.0) with Advanced License
  - Virtual KVM with Advanced License
- 

**Security** Power-on password  
Setup password  
Diskette boot control  
Secure Sockets Layer (SSL)  
Secure Shell (SSH)

---



# QuickSpecs

HP ProLiant SL170z Generation 6 (G6)

## Standard Features

### Warranty

This product is covered by a global limited warranty and supported by HP Services and a worldwide network of HP Authorized Channel Partners. Hardware diagnostic support and repair is available for one year from date of purchase. Support for software and initial setup is available for 90 days from date of purchase. Enhancements to warranty services are available through HP Care Pack services or customized service agreements. Hard drives have either a one year or three year warranty.

**NOTE:** Server Warranty includes 1 year Parts, 1 year Labor, 1-year on-site support with next business day response. Warranty repairs may be accomplished through the use of Customer Self Repair (CSR) parts. These parts fall into two categories: 1) Mandatory CSR parts are designed for easy replacement. A travel and labor charge will result when customers decline to replace a Mandatory CSR part; 2) Optional CSR parts are also designed for easy replacement but may involve added complexity. Customers may choose to have HP replace Optional CSR parts at no charge. Additional information regarding worldwide limited warranty and technical support is available at: <http://h18004.www1.hp.com/products/servers/platforms/warranty/index.html>.



# QuickSpecs

## HP ProLiant SL170z Generation 6 (G6)

### Optional Features

HP Insight management software	HP Insight Control for Linux	<p>HP Insight Control for Linux (IC-Linux), as a product option, delivers essential lifecycle management that can help save time and money by integrating discovery, server deployment, firmware updates &amp; provisioning, health &amp; performance management, remote management, and virtualization. This makes it easy to optimize your IT infrastructure through a single, simple management console. The IC-Linux suite installs and licenses software modules that are integrated into HP System Insight Manager (HP SIM).</p> <p>HP Insight Control for Linux serves environments requiring a Linux-based management console. See <a href="http://www.hp.com/go/ic-linux">www.hp.com/go/ic-linux</a>.</p> <p>HP Insight Control for Linux includes one year of 24 x 7 HP Software Technical Support and Update Service ensuring rapid access to HP support staff and proactive delivery of software updates. For more information about this service, please visit: <a href="http://www.hp.com/services/insight">http://www.hp.com/services/insight</a></p>
--------------------------------	------------------------------	--

Core Infrastructure Management	HP Systems Insight Manager	<p>HP Systems Insight Manager (HP SIM) provides a unified, secure and extensible standards-based environment to centrally manage servers, storage and other infrastructure devices, (both HP and non-HP) across multiple operating system platforms.</p>
	Insight Management Agents	<p>For additional information, please see: <a href="http://www.hp.com/go/insight">http://www.hp.com/go/insight</a>. HP Insight Management Agents and Insight Management Providers are available for HP Systems Insight Manager (SIM) Integration.</p>
		<p>ProLiant 100-series G6 servers can use the same SNMP based Insight Management Agents supported by other ProLiant servers. As a result, administrators can use HP Systems Insight Manager (SIM) 5.3 and greater to manage ProLiant 100-series G6 servers. Administrators can also use any other SNMP- based management tool. These agents are obtained as part of the ProLiant 100-series model-specific "Easy Set-up" CDs, or through <a href="http://www.hp.com/servers/easysetup">http://www.hp.com/servers/easysetup</a></p>
		<p>The following capabilities are enabled on the 100-series G6 servers by the SNMP agents:</p> <ul style="list-style-type: none"><li>• Health monitoring capabilities, including monitoring for drives, fans, network, power supplies, and temperature</li><li>• Alerting capabilities, including basic alert notification for Smart Array drive pre-failure only</li><li>• Performance monitoring capabilities providing information on processor, memory, disk free space, network utilization</li></ul>
	Easy Set-up CD	<p>For additional information, please see: <a href="http://www.hp.com/go/insight">http://www.hp.com/go/insight</a></p> <p>The HP ProLiant Easy Set-up CDs and ISO image downloads offer Assisted and Manual single server installation, setup, and deployment capability. Capabilities provided are:</p> <ul style="list-style-type: none"><li>• AutoRun</li></ul>





# QuickSpecs

## HP ProLiant SL170z Generation 6 (G6)

### Optional Features

	<ul style="list-style-type: none"><li>● Assisted Installation Microsoft Windows 2003 Server and Microsoft Windows 2008 Server.</li><li>● OS and SW available for Manual Installation are listed on each servers' QuickSpecs</li></ul>
Subscriber's Choice	<p>Subscriber's Choice Driver and Support Alerts/Notifications is a web-based email subscription service that provides software and driver change notifications for ProLiant products. Sign up at: <a href="http://www.hp.com/go/subscriberschoice">http://www.hp.com/go/subscriberschoice</a> and customize your profile to receive various new alerts as they become available, on a weekly or monthly basis.</p>
SmartStart Scripting Toolkit (SSSTK)	<p>The SmartStart Scripting Toolkit is a server deployment product that delivers an unattended automated installation for high-volume server deployments. The SmartStart Scripting Toolkit includes a set of utilities for configuring and deploying servers in a customized, predictable, and unattended manner. These utilities enable you to duplicate the configuration of a source server on target servers with minimum user interaction.</p> <p>The Toolkit is designed for IT experts with experience in scripting operating system installations and configuring ProLiant server hardware.</p> <p>For additional information, please see: <a href="http://h18004.www1.hp.com/products/servers/management/toolkit/index.html">http://h18004.www1.hp.com/products/servers/management/toolkit/index.html</a></p>
ROMPaq, software and latest drivers	<p>The latest software, drivers, and firmware fully optimized and tested for your ProLiant server and options; downloaded from Software and Drivers download pages website at: <a href="http://www.hp.com/go/support">http://www.hp.com/go/support</a> and from <a href="http://www.hp.com/servers/easysetup">www.hp.com/servers/easysetup</a>. Contains the following:</p> <ul style="list-style-type: none"><li>● HP Insight Management Agents for Systems Insight Manager (SIM) Integration</li><li>● HP Systems Management Homepage</li><li>● Array Configuration Utility (ACU)</li><li>● Array Diagnostics Utility (ADU)</li><li>● HP Insight Diagnostics</li></ul>



# QuickSpecs

## HP ProLiant SL170z Generation 6 (G6)

### Optional Features

#### High Performance Clusters

HP Cluster Platforms	HP Cluster Platforms are specifically engineered, factory-integrated large-scale ProLiant clusters optimized for High Performance Computing, with a choice of servers, networks and software. Operating system options include specially priced offerings for Red Hat Enterprise Linux and SUSE Linux Enterprise Server, as well as Microsoft Windows HPC Server. A Cluster Platform Configurator simplifies ordering. <a href="http://www.hp.com/go/clusters">http://www.hp.com/go/clusters</a>
HP HPC Interconnects	High Performance Computing (HPC) interconnect technologies are available for this server as part of the HP Cluster Platform portfolio. These high-speed InfiniBand and Gigabit interconnects are fully supported by HP when integrated within an HP cluster. Flexible, validated solutions can be defined with the help of configuration tools. <a href="http://www.hp.com/techservers/clusters/ucp/index.html">http://www.hp.com/techservers/clusters/ucp/index.html</a>
HP Cluster Management Utility	HP Cluster Management Utility (CMU) is an HP-licensed and HP-supported suite of tools that are used to manage large-scale Linux ProLiant systems. CMU includes software for the centralized provisioning, management and monitoring of nodes. CMU makes the administration of clusters user friendly, efficient, and effective. <a href="http://www.hp.com/go/cmu">http://www.hp.com/go/cmu</a>
HP HPC Linux Value Pack	HP HPC Linux Value Pack (Value Pack) is an HP-licensed and HP-supported specially priced software bundle for the development and deployment of applications on HPC Cluster Platforms. Value Pack includes the Platform HPC Enterprise Edition suite of tools including the LSF workload scheduler, the HP-MPI parallelization library. Also included are the HP Unified Parallel C compiler and the HP Shmem library, as well as the execution environments for the libraries and compiler. <a href="#">HP HPC Linux Value Pack</a>

#### Factory Express Portfolio for Servers and Storage

HP Factory Express offers configuration, customization, integration and deployment services for HP servers and storage products. Customers can choose how their factory solutions are built, tested, integrated, shipped and deployed.

Factory Express offers service packages for simple configuration, racking, installation, complex configuration and design services as well as individual factory services, such as image loading, asset tagging, and custom packaging. HP products supported through Factory Express include a wide array of servers and storage: HP Integrity, HP ProLiant, HP ProLiant Server Blades, HP BladeSystem, HP 9000 servers as well as the MSAxxx, VA7xxx, EVA, XP, rackable tape libraries and configurable network switches.

For more information on Factory Express services for your specific server model please contact your sales representative or go to: <http://www.hp.com/go/factory-express>.

#### HP Enterprise Configurator

The HP eConfigure Enterprise Configurator now provides factory default racking for our HP hardware portfolio. This approach is aligned with our strategic direction to meet the needs and expectations of our valued customers. If you require "custom" rack configuration, please contact HP's Customer Business Center or an Authorized Partner for assistance. <http://www.hp.com/products/configurator>



# QuickSpecs

HP ProLiant SL170z Generation 6 (G6)

## Service and Support

**NOTE:** HP Care Pack services are offered at enclosure level only.

### Service and Support

#### HP Technology Services for Industry Standard Servers and BladeSystem

Capitalizing on HP ProLiant server and HP BladeSystem capabilities requires a service partner who understands your increasingly complex business technology environment. That's why it makes sense to team up with the people who know HP infrastructure hardware and software best - the experienced professionals at HP Services.

#### What HP ProLiant and BladeSystem Services can do for you

HP ProLiant and BladeSystem Services can help you design, deploy, test, integrate, support, and manage IT and infrastructure solutions. This way, HP proposes services solutions that include more than just uplift of base warranty. You can get the support you need by choosing from one of a number of service packaged solutions we have designed to address wider set of customer support needs.

HP Technology Services meets business challenges with services offered in three packages - **Optimized Care Package, Standard Care Package, and Basic Care Package** - available for each product group. Such packaged solutions enable customers to optimize technology operations, minimize risk and drive better business outcomes with easy-to-buy, easy-to-use scalable support packages for servers, storage, networking and software.

---

### Optimized Care

#### Optimized Care Package: Supports maintaining servers at optimum performance availability

##### HP ProLiant Server Hardware Installation

Provides for the basic hardware installation of HP branded servers, storage devices and networking options to assist you in bringing your new hardware into operation in a timely and professional manner <http://h20195.www2.hp.com/V2/GetPDF.aspx/5981-9356EN>

##### HP Installation and Startup for Insight Control Software

Provides for the deployment and basic configuration of HP Insight Control on HP ProLiant ML and DL series servers or HP BladeSystem servers <http://h20195.www2.hp.com/v2/GetPDF.aspx/4AA0-9972ENW.pdf>

##### 3-Year HP Critical Advantage

Provides end-to-end infrastructure support solution for business critical applications running on virtualized/x86 infrastructures, enabling the customers to cost effectively build, operate, and continuously improve their IT environment <http://h20195.www2.hp.com/V2/GetDocument.aspx?docname=4AA3-1772ENW>

**Additional Services:** Data Center Transformation Service

---



### Service and Support

#### Standard Care

**Standard Care Package:** Package that maintains high level of server availability

##### HP ProLiant Server Hardware Installation

Provides for the basic hardware installation of HP branded servers, storage devices and networking options to assist you in bringing your new hardware into operation in a timely and professional manner  
<http://h20195.www2.hp.com/V2/GetPDF.aspx/5981-9356EN>

##### HP Installation and Startup for Insight Control Software

Provides for the deployment and basic configuration of HP Insight Control on HP ProLiant ML and DL series servers or HP BladeSystem servers <http://h20195.www2.hp.com/v2/GetPDF.aspx/4AA0-9972ENW.pdf>

##### 3-Year HP 6 hour Hardware Support Onsite Call-to-Repair Service

Provides an IT manager with a team of support specialists who will quickly begin troubleshooting the system to help return the hardware to operating condition within 6 hours of the initial service request to the HP Global Solution Center  
<http://h20195.www2.hp.com/V2/GetPDF.aspx/5982-6547EN.pdf>

##### 3-Year , HP 24x7 Software Support for Insight Control

Provides for the deployment and basic configuration of HP Insight Control on HP ProLiant ML and DL series servers or HP BladeSystem servers  
<http://h20195.www2.hp.com/V2/GetPDF.aspx/5981-6645EEE.pdf>

**Additional Services:** Software OS (Microsoft, Linux (SUSE/Red Hat) & VMware Installation & Start Up and Software Support); Microsoft or Linux or VMware education courses; +60 Proactive Select Credits

---

#### Basic Care

**Basic Care Package:** delivers minimum recommended support service level

##### HP ProLiant Server Hardware Installation

Provides for the basic hardware installation of HP branded servers, storage devices and networking options to assist you in bringing your new hardware into operation in a timely and professional manner  
<http://h20195.www2.hp.com/V2/GetPDF.aspx/5981-9356EN>

##### HP Installation and Startup for Insight Control Software

Provides for the deployment and basic configuration of HP Insight Control on HP ProLiant ML and DL series servers or HP BladeSystem servers <http://h20195.www2.hp.com/v2/GetPDF.aspx/4AA0-9972ENW.pdf>

##### 3-Year HP 24x7 4 hour Response, Hardware Support Onsite Service

Provides for the deployment and basic configuration of HP Insight Control on HP ProLiant ML and DL series servers or HP BladeSystem servers <http://h20195.www2.hp.com/v2/GetPDF.aspx/4AA0-9972ENW.pdf>

##### 3-Year , HP 24x7 Software Support for Insight Control

Provides for the deployment and basic configuration of HP Insight Control on HP ProLiant ML and DL series servers or HP BladeSystem servers  
<http://h20195.www2.hp.com/V2/GetPDF.aspx/5981-6645EEE.pdf>

**Additional Services:** Software OS (Microsoft, Linux (SUSE/Red Hat) & VMware Installation & Start Up and Software Support); +30 Proactive Select Credits, Factory Express



# QuickSpecs

HP ProLiant SL170z Generation 6 (G6)

## Service and Support

---

**Insight Remote Support** The packages include HP Insight Remote Support that uses proven technology to deliver secure, reliable 24x7 remote monitoring, diagnoses, and problem resolution. It is available at no additional cost to all warranty, HP Care Pack Service, and service agreement customers.

---

**For more information** To learn more on HP ProLiant servers and HP BladeSystem servers, please contact your HP sales representative or HP Authorized Channel Partner. Or visit: <http://www.hp.com/services/proliant>



# QuickSpecs

## HP ProLiant SL170z Generation 6 (G6)

### Pre-configured Models

**NOTE:** For the Standard Features shipped in the "Factory Integrated Models", please see the "Configuration Information - Factory Integrated Models" section.

**NOTE:** Pre-configured models ship with the configurations below. Options can be selected from the Core or Additional options section of this QuickSpecs.

**NOTE:** HP does not allow factory integration of options into pre-configured models. Any additional options purchased will be shipped separately.

**NOTE:** If you desire a custom configuration please see "Configuration Information - Factory Integrated Models" section of this QuickSpecs.

**NOTE:** Not all models are available in all regions. Check with your local country HP offices for availability.

### Non-Hot Plug Serial ATA (SATA) Model

**NOTE:** Non-Hot Plug models are not upgradeable to Hot Plug.

**NOTE:** A rail kit is not included in model - this allows for the purchase of the right size rail kit.

**NOTE:** This Model includes two HP ProLiant SL170z Server trays. Specs below represent configuration of each tray.

<b>HP ProLiant SL170z G6 2 Processor(s)</b>	(1) Intel® Xeon® Processor E5504 (2.00 GHz, 4MB L3 Cache, 80W, DDR3-800)
<b>Trays E5504 6x2GB Rack Server</b>	
539611-xx1	
<b>Cache Memory</b>	4MB (4 x 1MB) shared Level 3 cache
<b>Memory</b>	6GB (3 x 2GB) PC3-10600E (UDIMM)
<b>Network Controller</b>	HP NC362i Integrated Dual Port Gigabit Server Adapter
<b>Storage Controller</b>	Embedded SATA RAID 0, 1, 10
<b>Hard Drive</b>	Optional SATA
<b>Internal Storage</b>	Up to 6 large form factor Non-Hot Plug drives/Server tray using Quick Release carrier
<b>Power Supply</b>	750W
<b>Fans</b>	3 system fans ship standard in z6000 chassis
<b>Form Factor</b>	One HP ProLiant z6000 G6 Chassis Two HP ProLiant SL170z G6 Server
<b>Warranty</b>	Server Warranty includes 1 year Parts, 1 year Labor, 1-year on-site support with next business day response.

---

<b>Country Code Key</b>	xx=00	U.S.
	xx=29	Japan
	xx=37	AP
	xx=42	Euro
	xx=AA	PRC



# QuickSpecs

## HP ProLiant SL170z Generation 6 (G6)

### Configuration Information - Factory Integrated Models

**NOTE:** This section lists some of the steps required to configure a Factory Integrated Model. To ensure only valid configurations are ordered, HP recommends the use of an HP approved configurator. Contact your local sales representative for information on configurable product offerings and requirements.

**NOTE:** Configure-to-order (CTO) servers must start with a CTO Chassis.

**NOTE:** FIO indicates that this option is only available as a factory installable option.

### Step 1: Base Configuration (choose one from each list unless otherwise noted)

HP Chassis	HP ProLiant z6000 G6 2U Configure-to-order Chassis <b>NOTE:</b> Ships with 2U chassis and 3 fans.	538080-B21
HP Server Node	HP ProLiant SL170z G6 Configure-to-order Server <b>NOTE:</b> It is required that 2 server trays be purchased. <b>NOTE:</b> Each SL170z tray has 1 system board.	570147-B21
HP Rail Kits	HP ProLiant z6000 G6 1U/2U E-L Servers Rail Kit <b>NOTE:</b> 2U rail kit used for HP or 3rd part racks - allows addition of one z6000 chassis at a time.	570226-B21
	HP ProLiant z6000 G6 5 Shelf 10U Bulk Rail Kit <b>NOTE:</b> 10U rail kit used for HP racks ONLY - allows addition of five z6000 chassis at a time.	570227-B21
HP Power Supplies	<b>NOTE:</b> Prior to making a power supply selection it is highly recommended that the HP Power Advisor is run to determine the right size power supply for your server configuration. The HP Power Advisor is located at: <a href="http://www.hp.com/go/hppoweradvisor">www.hp.com/go/hppoweradvisor</a>	
	HP 460W Common Slot Gold Hot Plug Power Supply Kit	503296-B21
	HP 460W Common Slot Platinum Hot Plug Power Supply Kit	593188-B21
	HP 750W Common Slot Platinum Hot Plug Power Supply Kit	593831-B21
	HP 750W Common Slot Gold Hot Plug Power Supply Kit	512327-B21
	HP 1200W Common Slot Silver Hot Plug Power Supply Kit	500172-B21
	HP 1200W Common Slot Platinum Hot Plug Power Supply Kit	578322-B21

### Step 2: Choose Required Server Node Options (only one of the following from each list unless otherwise noted)

HP Processors	<b>NOTE:</b> If 2 processors are desired, select one xxxx-L21 and one xxxxx-B21.	
	<b>Six-Core Processors</b>	
	HP SL170z G6 Intel® Xeon® X5680 (3.33GHz/6-core/12MB/130W) FIO Processor Kit	592019-L21
	HP SL170z G6 Intel® Xeon® X5670 (2.93GHz/6-core/12MB/95W) FIO Processor Kit	592033-L21
	HP SL170z G6 Intel® Xeon® X5660 (2.80GHz/6-core/12MB/95W) FIO Processor Kit	592035-L21
	HP SL170z G6 Intel® Xeon® X5650 (2.66GHz/6-core/12MB/95W) FIO Processor Kit	592037-L21
	<b>Quad-Core Processors</b>	
	HP SL170z G6 Intel® Xeon® E5640 (2.66GHz/4-core/12MB/80W) FIO Processor Kit	592044-L21



# QuickSpecs

## HP ProLiant SL170z Generation 6 (G6)

### Configuration Information - Factory Integrated Models

HP SL170z G6 Intel® Xeon® E5630 (2.53GHz/4-core/12MB/80W) FIO Processor Kit	592040-L21
HP SL170z G6 Intel® Xeon® E5620 (2.40GHz/4-core/12MB/80W) FIO Processor Kit	592042-L21
HP SL170z G6 Intel® Xeon® L5640 (2.26GHz/6-core/12MB/60W) FIO Processor Kit	592051-L21
HP SL170z G6 Intel® Xeon® L5630 (2.13GHz/4-core/12MB/40W) FIO Processor Kit	592059-L21
HP SL170z G6 Intel® Xeon® E5506 (2.13GHz/4-core/4MB/80W) FIO Processor Kit	592047-L21

#### Dual-Core Processors

HP SL170z G6 Intel® Xeon® E5503 (2.0GHz/2-core/4MB/80W) FIO Processor Kit	592049-L21
---	------------

**NOTE:** HT indicates that the processor model supports Intel® Hyper-Threading Technology.

**NOTE:** Turbo indicates the maximum potential frequency increment when using Intel® Turbo Boost Technology, with 4, 3, 2, and 1 cores active.

**NOTE:** DDR3 speed is the maximum memory speed of the processor. Actual memory speed may depend on the quantity and type of DIMMs installed.

**NOTE:** For the Intel 5500 and 5600 Series, the letter preceding the model number indicates the performance/wattage of the processor. "X" denotes High Performance/Wattage; "E" denotes Enterprise Performance/Wattage (Mainstream); and "L" denotes Lower Wattage.

**NOTE:** Existing SL products cannot be upgraded with 130watt processors, new purchase only

### HP Memory

#### Registered DIMMs (RDIMMs)

HP 2GB (1x2GB) Dual Rank x8 PC3-10600 (DDR3-1333) Registered CAS-9 Memory Kit	500656-B21
HP 4GB (1x4GB) Dual Rank x4 PC3-10600 (DDR3-1333) Registered CAS-9 Memory Kit	500658-B21
HP 4GB (1x4GB) Quad Rank x8 PC3-8500 (DDR3-1066) Registered CAS-7 Low Power Memory Kit	500660-B21
HP 4GB (1x4GB) Single Rank x4 PC3-10600 (DDR3-1333) Registered CAS-9 Memory Kit	593339-B21
HP 4GB (1x4GB) Single Rank x4 PC3L-10600 (DDR3-1333) Registered CAS-9 Low Power Memory Kit	604504-B21
<b>NOTE:</b> Low Voltage DIMMs can only be used with Intel® Xeon® processor 5600 series processors.	
HP 8GB (1x8GB) Dual Rank x4 PC3-10600 (DDR3-1333) Registered CAS-9 Memory Kit	500662-B21
HP 8GB (1x8GB) Dual Rank x4 PC3L-10600 (DDR3-1333) Registered CAS-9 Low Power Memory Kit	604506-B21
<b>NOTE:</b> Low Voltage DIMMs can only be used with Intel® Xeon® processor 5600 series processors.	
HP 16GB (1x16GB) Quad Rank x4 PC3-8500 (DDR3-1066) Registered CAS-7 Memory Kit	500666-B21





# QuickSpecs

## HP ProLiant SL170z Generation 6 (G6)

### Configuration Information - Factory Integrated Models

#### Unbuffered with ECC DIMMs (UDIMMs)

**NOTE:** Maximum 12 DIMMs supported per node

HP 1GB (1x1GB) Single Rank x8 PC3-10600 (DDR3-1333) Unbuffered CAS-9 Memory Kit 500668-B21

HP 2GB (1x2GB) Dual Rank x8 PC3-10600 (DDR3-1333) Unbuffered CAS-9 Memory Kit 500670-B21

HP 4GB (1x4GB) Dual Rank x8 PC3-10600 (DDR3-1333) Unbuffered CAS-9 Memory Kit 500672-B21

**NOTE:** All DDR3 memory option kits consist of one DIMM per kit. For detailed memory configuration rules and guidelines, please use the Online DDR3 Memory Configuration Tool: [www.hp.com/go/ddr3memory-configurator](http://www.hp.com/go/ddr3memory-configurator).

**NOTE:** Kits described as LP include Low Power DIMMs. For more information on ProLiant Energy Efficient Features, see: [www.hp.com/go/proliant-energy-efficient](http://www.hp.com/go/proliant-energy-efficient)

**NOTE:** There is a maximum support limitation of 8 ranks per memory channel (maximum of 2 quad rank DIMMs per channel)

**NOTE:** PC3L is a low voltage memory

### Step 3: Choose Additional Factory Integratable Options

HP Storage Controllers	HP Smart Array P212/256 BBWC 1-ports Int/1-ports Ext PCIe x8 FIO SAS Controller	491191-B21
	<b>NOTE:</b> HP P212 SAS 4HDD Cable Kit is required when adding SAS hard drives using the P212 controller (574001-B21)	
	<b>NOTE:</b> HP z6000 BBWC HDWR KIT is required when adding BBWC (582653-B21)	
	HP Smart Array P410/ZM 2-ports Int PCIe x8 FIO SAS Controller	462860-B21
	<b>NOTE:</b> HP P410 SAS 4HDD Cable Kit is required when adding SAS hard drives using the P410 controller (583997-B21)	
	HP Smart Array P410/256 BBWC 2-ports Int PCIe x8 FIO SAS Controller	491195-B21
<b>NOTE:</b> HP P410 SAS 4HDD Cable Kit is required when adding SAS hard drives using the P410 controller (583997-B21)		
<b>NOTE:</b> HP z6000 BBWC HDWR KIT is required when adding BBWC (582653-B21)		
HP Smart Array P411/256 BBWC 2-ports Ext PCIe x8 FIO SAS Controller	491193-B21	
<b>NOTE:</b> HP z6000 BBWC HDWR KIT is required when adding BBWC (582653-B21)		

HP Insight Software	HP Insight Control for Linux including 1yr 24x7 Support ML/DL Bundle 1 Server FIO License	TC203A
---------------------	---	--------

### Step 4: Choose Additional Options for Factory Integration

**NOTE:** For additional options, please refer to the "Core Options" and "Additional Options" section below.



# QuickSpecs

## HP ProLiant SL170z Generation 6 (G6)

### Core Options

**NOTE:** Some options may not be integrated at the factory. To ensure only valid configurations are ordered, HP recommends the use of an HP approved configurator. Contact your local sales representative for additional information.

<b>HP Unique Options</b>	HP SL160/170 G6 x16 Input/Output Riser Kit	574806-B21
	HP z6000 P212 SAS 4 Hard Drive Power Cable Kit	574001-B21
	<b>NOTE:</b> This is required when adding SAS hard drives using the P212 controller.	
	HP z6000 P410 SAS 4 Hard Drive Power Cable Kit	583997-B21
	<b>NOTE:</b> This is required when adding SAS hard drives using the P410 controller.	
	HP z6000 Battery Back Write Cache Hardware Kit	582653-B21
	<b>NOTE:</b> This is required when adding BBWC.	
	HP z6000 Small Form Factor 2 Drive Cage Kit	582657-B21
	<b>NOTE:</b> This is required when adding SFF (2.5") SSD or hard drives.	

### HP Processor

#### Six-Core Processors

HP SL170z G6 Intel® Xeon® X5680 (3.33GHz/6-core/12MB/130W) Processor Kit	592019-B21
HP SL170z G6 Intel® Xeon® X5670 (2.93GHz/6-core/12MB/95W) Processor Kit	592033-B21
HP SL170z G6 Intel® Xeon® X5660 (2.80GHz/6-core/12MB/95W) Processor Kit	592035-B21
HP SL170z G6 Intel® Xeon® X5650 (2.66GHz/6-core/12MB/95W) Processor Kit	592037-B21

#### Quad-Core Processors

HP SL170z G6 Intel® Xeon® E5640 (2.66GHz/4-core/12MB/80W) Processor Kit	592044-B21
HP SL170z G6 Intel® Xeon® E5630 (2.53GHz/4-core/12MB/80W) Processor Kit	592040-B21
HP SL170z G6 Intel® Xeon® E5620 (2.40GHz/4-core/12MB/80W) Processor Kit	592042-B21
HP SL170z G6 Intel® Xeon® L5640 (2.26GHz/6-core/12MB/60W) Processor Kit	592051-B21
HP SL170z G6 Intel® Xeon® L5630 (2.13GHz/4-core/12MB/40W) Processor Kit	592059-B21
HP SL170z G6 Intel® Xeon® X5570 (2.93GHz/4-core/8MB/95W) Processor Kit	539252-B21
HP SL170z G6 Intel® Xeon® X5560 (2.80GHz/4-core/8MB/95W) Processor Kit	588191-B21
HP SL170z G6 Intel® Xeon® X5550 (2.66GHz/4-core/8MB/95W) Processor Kit	539254-B21
HP SL170z G6 Intel® Xeon® E5540 (2.53GHz/4-core/8MB/80W) Processor Kit	539256-B21
HP SL170z G6 Intel® Xeon® E5520 (2.26GHz/4-core/8MB/80W) Processor Kit	539260-B21
HP SL170z G6 Intel® Xeon® E5506 (2.13GHz/4-core/4MB/80W) Processor Kit	592047-B21
HP SL170z G6 Intel® Xeon® E5504 (2.00GHz/4-core/4MB/80W) Processor Kit	539266-B21
HP SL170z G6 Intel® Xeon® L5530 (2.40GHz/4-core/8MB/60W) Processor Kit	586601-B21
HP SL170z G6 Intel® Xeon® L5520 (2.26GHz/4-core/8MB/60W) Processor Kit	571698-B21
HP SL170z G6 Intel® Xeon® L5506 (2.13GHz/4-core/4MB/60W) Processor Kit	571703-B21

#### Dual-Core Processors

HP SL170z G6 Intel® Xeon® E5503 (2.0GHz/2-core/4MB/80W) Processor Kit	592049-B21
HP SL170z G6 Intel® Xeon® E5502 (1.86GHz/2-core/4MB/80W) Processor Kit	571705-B21

**NOTE:** HT indicates that the processor model supports Intel® Hyper-Threading Technology.

**NOTE:** Turbo indicates the maximum potential frequency increment when using Intel® Turbo Boost Technology, with 4, 3, 2, and 1 cores active.

**NOTE:** DDR3 speed is the maximum memory speed of the processor. Actual memory speed may depend on the quantity and type of DIMMs installed.



# QuickSpecs

## HP ProLiant SL170z Generation 6 (G6)

### Core Options

**NOTE:** For the Intel 5500 and 5600 Series, the letter preceding the model number indicates the performance/wattage of the processor. "X" denotes High Performance/Wattage; "E" denotes Enterprise Performance/Wattage (Mainstream); and "L" denotes Lower Wattage.

#### HP Memory

##### Registered DIMMs (RDIMMs)

HP 2GB (1x2GB) Dual Rank x8 PC3-10600 (DDR3-1333) Registered CAS-9 Memory Kit	500656-B21
HP 4GB (1x4GB) Dual Rank x4 PC3-10600 (DDR3-1333) Registered CAS-9 Memory Kit	500658-B21
HP 4GB (1x4GB) Quad Rank x8 PC3-8500 (DDR3-1066) Registered CAS-7 Low Power Memory Kit	500660-B21
HP 4GB (1x4GB) Single Rank x4 PC3-10600 (DDR3-1333) Registered CAS-9 Memory Kit	593339-B21
HP 4GB (1x4GB) Single Rank x4 PC3L-10600 (DDR3-1333) Registered CAS-9 Low Power Memory Kit	604504-B21
<b>NOTE:</b> Low Voltage DIMMs can only be used with Intel® Xeon® processor 5600 series processors.	
HP 8GB (1x8GB) Dual Rank x4 PC3-10600 (DDR3-1333) Registered CAS-9 Memory Kit	500662-B21
HP 8GB (1x8GB) Dual Rank x4 PC3L-10600 (DDR3-1333) Registered CAS-9 Low Power Memory Kit	604506-B21
<b>NOTE:</b> Low Voltage DIMMs can only be used with Intel® Xeon® processor 5600 series processors.	
HP 16GB (1x16GB) Quad Rank x4 PC3-8500 (DDR3-1066) Registered CAS-7 Memory Kit	500666-B21

##### Unbuffered with ECC DIMMs (UDIMMs)

**NOTE:** Maximum 12 DIMMs supported per node

HP 1GB (1x1GB) Single Rank x8 PC3-10600 (DDR3-1333) Unbuffered CAS-9 Memory Kit	500668-B21
HP 2GB (1x2GB) Dual Rank x8 PC3-10600 (DDR3-1333) Unbuffered CAS-9 Memory Kit	500670-B21
HP 4GB (1x4GB) Dual Rank x8 PC3-10600 (DDR3-1333) Unbuffered CAS-9 Memory Kit	500672-B21

**NOTE:** All DDR3 memory option kits consist of one DIMM per kit. For detailed memory configuration rules and guidelines, please use the Online DDR3 Memory Configuration Tool: [www.hp.com/go/ddr3memory-configurator](http://www.hp.com/go/ddr3memory-configurator).

**NOTE:** Kits described as LP include Low Power DIMMs. For more information on ProLiant Energy Efficient Features, see: [www.hp.com/go/proliant-energy-efficient](http://www.hp.com/go/proliant-energy-efficient)

**NOTE:** There is a maximum support limitation of 8 ranks per memory channel (maximum of 2 quad rank DIMMs per channel)

**NOTE:** PC3L is a low voltage memory.

#### HP Hard Drives

**NOTE:** The components of a storage subsystem (e.g. the drive, the HBA/controller, firmware, and the server backplane) should operate at the same data transfer rate or the system bandwidth will be negotiated down to an acceptable level for all



# QuickSpecs

## HP ProLiant SL170z Generation 6 (G6)

### Core Options

components.

**NOTE:** Hard drives have either a one year or three year warranty.

**NOTE:** The hard drives use a quick release carrier.

**NOTE:** One 2 Drive SFF Drive Cage (582657-B21) is required when installing 2 SFF drives.

**NOTE:** When adding SAS one of the following cable kits needs to be ordered depending on which SAS controller installing - HP P212 SAS 4HDD Cable Kit 574001-B21.

#### SAS Non-Hot Plug LFF (3.5-inch) Enterprise (ENT) Drives - with quick-release (QR) carrier

HP 600GB 6G SAS 15K rpm LFF (3.5-inch) Quick-release Dual Port Enterprise 3yr Warranty Hard Drive 574758-B21

HP 300GB 6G SAS 15K rpm LFF (3.5-inch) Quick-release Dual Port Enterprise 3yr Warranty Hard Drive 585980-B21

#### SAS Non-Hot Plug SFF (2.5-inch) Enterprise (ENT) Drives - with quick-release (QR) carrier

HP 300GB 6G SAS 10K rpm SFF (2.5-inch) Quick-release Dual Port Enterprise 3yr Warranty Hard Drive 574879-B21

#### SAS Non-Hot Plug LFF (3.5-inch) Midline (MDL) Drives - with quick-release (QR) carrier

HP 2TB 6G SAS 7.2K rpm LFF (3.5-inch) Quick-release Dual Port Midline 1yr Warranty Hard Drive 574761-B21

#### SATA Non-Hot Plug LFF (3.5-inch) Entry (ETY) Drives - with quick-release (QR) carrier

HP 160GB 3G SATA 7.2K rpm LFF (3.5-inch) Quick-release Entry 1yr Warranty Hard Drive 574021-B21

#### SATA Non-Hot Plug LFF (3.5-inch) Midline (MDL) Drives - with quick-release (QR) carrier

HP 2TB 3G SATA 7.2K rpm LFF (3.5-inch) Quick-release Midline 1yr Warranty Hard Drive 574755-B21

HP 1TB 3G SATA 7.2K rpm LFF (3.5-inch) Quick-release Midline 1yr Warranty Hard Drive 574025-B21

HP 500GB 3G SATA 7.2K rpm LFF (3.5-inch) Quick-release Midline 1yr Warranty Hard Drive 574023-B21

#### SATA Non-Hot Plug SFF (2.5-inch) Midline (MDL) Drives - with quick-release (QR) carrier

HP 500GB 3G SATA 7.2K rpm SFF (2.5-inch) Quick-release Midline 1yr Warranty Hard Drive 574953-B21

#### SATA Non-Hot Plug Midline (MDL) Solid State Drives - with quick-release (QR) carrier

HP 120GB 3G SATA SFF (2.5-inch) Quick-release Midline 1yr Warranty Solid State Drive 586587-B21

HP 60GB 3G SATA SFF (2.5-inch) Quick-release Midline 1yr Warranty Solid State Drive 586585-B21



# QuickSpecs

## HP ProLiant SL170z Generation 6 (G6)

### Core Options

#### HP Networking

##### Gigabit Ethernet Adapters

HP NC112T PCI Express Gigabit Server Adapter	503746-B21
HP NC360T PCI-E Dual Port Gigabit Server Adapter	412648-B21
HP NC364T PCI-E Quad Port Gigabit Server Adapter	435508-B21
HP NC365T 4-port Ethernet Server Adapter	593722-B21
HP NC373F PCI-E Multifunction 1000SX Gigabit Svr Adapter	394793-B21
HP NC373T PCI-E Multifunction Gigabit Server Adapter	394791-B21
HP NC375T PCI Express Quad Port Gigabit Server Adapter	538696-B21
HP NC382T PCI Express Dual Port Multifunction Gigabit Server Adapter	458492-B21

##### 10 Gigabit Ethernet Adapters

**NOTE:** A minimum of two Gigabytes (2 GB) of server memory is required per each NC522SFP adapter.

**NOTE:** Direct Attach Cable (DAC) for copper environments or fiber transceivers and cables for fiber-optic environments must be purchased separately.

HP NC522SFP Dual Port 10GbE Gigabit Server Adapter	468332-B21
HP NC523SFP 10Gb 2-port Server Adapter	593717-B21
HP NC550SFP Dual Port 10GbE Server Adapter	581201-B21
HP NC552SFP 10Gb 2-port Ethernet Server Adapter	614203-B21

**NOTE:** Please see the QuickSpecs for Technical Specifications and additional information: [www.hp.com/go/ProLiantNICs](http://www.hp.com/go/ProLiantNICs).

#### HP InfiniBand

HP InfiniBand 4X DDR PCI-E 0 Memory Dual Port HCA	483513-B21
HP InfiniBand 4X DDR PCI-E Dual Port HCA	448397-B21
HP InfiniBand 4X QDR ConnectX-2 PCIe G2 Dual Port HCA	592520-B21
HP InfiniBand 4X DDR ConnectX-2 PCIe G2 Dual Port HCA	592521-B21
QLogic InfiniBand 4X QDR PCI-E G2 Dual Port HCA	583211-B21

**NOTE:** Please see the QuickSpecs for additional information:

[http://h18000.www1.hp.com/products/quickspecs/13078\\_div/13078\\_div.html](http://h18000.www1.hp.com/products/quickspecs/13078_div/13078_div.html)

#### HP I/O Expansion Options

HP SL160/170 G6 x16 Input/Output Riser Kit	574806-B21
--	------------



# QuickSpecs

## HP ProLiant SL170z Generation 6 (G6)

### Core Options

#### HP Power Supplies

**NOTE:** Prior to making a power supply selection it is highly recommended that the HP Power Advisor is run to determine the right size power supply for your server configuration. The HP Power Advisor is located at: [www.hp.com/go/hppoweradvisor](http://www.hp.com/go/hppoweradvisor)

**CAUTION:** In ProLiant Servers that have more than one power slot (bay), only same size power supplies are recommended. If non-matched power supplies are inserted you will get errors and operation will fail.

HP 460W Common Slot Gold Hot Plug Power Supply Kit	503296-B21
HP 460W Common Slot Platinum Hot Plug Power Supply Kit	593188-B21
HP 750W Common Slot Platinum Hot Plug Power Supply Kit	593831-B21
HP 750W Common Slot Gold Hot Plug Power Supply Kit	512327-B21
HP 1200W Common Slot Silver Hot Plug Power Supply Kit	500172-B21
HP 1200W Common Slot Platinum Hot Plug Power Supply Kit	578322-B21

**NOTE:** Option Kits contain optional power supply, an IEC power cable and PDU IEC cables.



# QuickSpecs

## HP ProLiant SL170z Generation 6 (G6)

### Additional Options

**NOTE:** Some options may not be integrated at the factory. To ensure only valid configurations are ordered, HP recommends the use of an HP approved configurator. Contact your local sales representative for additional information.

<b>HP Insight Software</b>	<b>HP Insight Control for Linux</b>	
	HP Insight Control for Linux including 1yr 24x7 Support Electronic License	TC213AAE
	HP Insight Control for Linux including 1yr 24x7 Support Single Server License	TC209A
	HP Insight Control for Linux Media Kit	TC208A

**NOTE:** Media pack DVD contains the ISO image for HP Insight Control for Linux, HP Systems Insight Manager, HP Insight Control power management, HP Insight Control virtual machine management, and an integrated installer. Servers must be acquired separately.

**NOTE:** Licenses ship without media. The Media Kit for Insight Control for Linux can be ordered separately, or can be downloaded at: <http://www.hp.com/go/ic-linux> (click on Download button).

**NOTE:** Electronic software is available in all countries except China and Japan. Customers in China and Japan should order the physical equivalent.

**NOTE:** Electronic and Flexible-Quantity licenses can be used to purchase multiple licenses with a single set of activation keys.

**NOTE:** For additional License Kits, including electronic licensing options, please see the QuickSpecs at:  
[http://h18000.www1.hp.com/products/quickspecs/13019\\_div/13019\\_div.html](http://h18000.www1.hp.com/products/quickspecs/13019_div/13019_div.html)

---

<b>High Performance Clusters</b>	<b>HP Cluster Management Utility</b>	
	HP Cluster Management Utility Flexible License	QL803A
	<b>NOTE:</b> This part number can be used to purchase one certificate for multiple licenses with a single activation key. Each license is for one node (server). Customer will receive a printed end user license agreement and license entitlement certificate via physical shipment. The license entitlement certificate must be redeemed online in order to obtain a license key.	
	HP Cluster Management Utility Media	433257-B21

**NOTE:** Order a minimum of one license per cluster to purchase media including software and documentation, which will be delivered to the customer, and also licenses CMU management. No license key is delivered or required.

**NOTE:** For additional license kits please see the QuickSpecs at:  
[http://h18004.www1.hp.com/products/quickspecs/12612\\_div/12612\\_div.html](http://h18004.www1.hp.com/products/quickspecs/12612_div/12612_div.html)

	<b>HP HPC Linux Value Pack</b>	
	HP High Performance Computing Linux Value Pack 1 Processor Flexible License	TC293B
	<b>NOTE:</b> This part number can be used to purchase one certificate for multiple licenses with a single activation key. Each license is for one socket (a.k.a. processor). Customer will receive a printed end user license agreement and license entitlement certificate via physical shipment. The license entitlement certificate must be redeemed online in order to obtain a license key.	
	HP High Performance Computing Linux Value Pack Media Kit	TC294A

**NOTE:** This part number can be used to purchase media including software and documentation, which will be delivered to the customer.

**NOTE:** For additional license kits please see the QuickSpecs at:  
[http://h18004.www1.hp.com/products/quickspecs/13485\\_div/13485\\_div.html](http://h18004.www1.hp.com/products/quickspecs/13485_div/13485_div.html)



# QuickSpecs

## HP ProLiant SL170z Generation 6 (G6)

### Additional Options

---

HP Rail Options	HP SL Universal Switch Rail Kit <b>NOTE:</b> This kit allows you to install HP or 3rd party switch in the same rack as SL6000.	592774-B21
-----------------	---	------------

---

HP I/O Accelerator Options	HP 640GB Multi Level Cell PCIe ioDrive Duo for ProLiant Servers <b>NOTE:</b> Please see the QuickSpecs for Technical Specifications and additional information: <a href="http://h18000.www1.hp.com/products/quickspecs/13587_div/13587_div.html">http://h18000.www1.hp.com/products/quickspecs/13587_div/13587_div.html</a> (Worldwide)	600282-B21
----------------------------	---	------------

---

HP Security	HP Trusted Platform Module Option <b>NOTE:</b> The TPM (Trusted Platform Module) is a microcontroller chip that can securely store artifacts used to authenticate the server platform. These artifacts can include passwords, certificates and encryption keys. Windows® BitLocker™ Drive Encryption (BitLocker) is a data protection feature available in Windows Server® 2008. BitLocker leverages the enhanced security capabilities of a Trusted Platform Module (TPM) version 1.2. The TPM works with BitLocker to help protect user data and to ensure that a server running Windows Server 2008 has not been tampered with while the system was offline. For more information about TPM, including a white paper, go to: <a href="http://www.hp.com/go/TPM">www.hp.com/go/TPM</a> . <b>NOTE:</b> ProLiant OS pre-installed units will come with the partition required for TPM deployment. <b>NOTE:</b> The TPM key is unique to every TPM deployed server and must be retained. Misplacing or losing the key could result in data loss.	488069-B21
-------------	--	------------

---

HP Storage Controllers	<b>SAS Controllers</b>	
	<b>Smart Array P212 Controller</b>	
	<b>NOTE:</b> HP P212 SAS 4HDD Cable Kit is required when adding SAS hard drives using the P212 controller (574001-B21).	
	HP Smart Array P212/ZM 1-ports Int/1-ports Ext PCIe x8 SAS Controller	462828-B21
	HP Smart Array P212/256 1-ports Int/1-ports Ext PCIe x8 SAS Controller	462834-B21
	<b>Smart Array P410 Controller</b>	
	<b>NOTE:</b> HP P410 SAS 4HDD Cable Kit is required when adding SAS hard drives using the P410 controller (583997-B21)	
	HP Smart Array P410/256 2-ports Int PCIe x8 SAS Controller	462862-B21
	HP Smart Array P410/512 BBWC 2-ports Int PCIe x8 SAS Controller	462864-B21
	HP Smart Array P410/512 FBWC 2-ports Int PCIe x8 SAS Controller	578230-B21
	HP Smart Array P410/1G FBWC 2-ports Int PCIe x8 SAS Controller	572532-B21
	<b>Smart Array P411 Controller</b>	
	HP Smart Array P411/256 2-ports Ext PCIe x8 SAS Controller	462830-B21
	HP Smart Array P411/512 BBWC 2-ports Ext PCIe x8 SAS Controller	462832-B21
HP Smart Array P411/512 FBWC 2-ports Ext PCIe x8 SAS Controller	578229-B21	
HP Smart Array P411/1G FBWC 2-ports Ext PCIe x8 SAS Controller	572531-B21	

---





# QuickSpecs

## HP ProLiant SL170z Generation 6 (G6)

### Additional Options

#### Optional Upgrades

**NOTE:** HP z6000 BBWC HDWR KIT is required when adding BBWC (582653-B21).

HP 256MB P-series Cache Upgrade 462968-B21

**NOTE:** Supported on HP Smart Array P212 Controller only.

HP 512MB P-Series Battery Backed Write Cache Upgrade 462967-B21

**NOTE:** Supported on HP Smart Array P410 Controller and HP Smart Array P411 Controller only.

HP 650 mAh P-Series Battery 462969-B21

**NOTE:** To enable BBWC on the 256MB cache.

**NOTE:** Supported on HP Smart Array P212 Controller.

HP 1GB Flash Backed Cache 534562-B21

HP Smart Array Advanced Pack including 1yr 24x7 Technical Support and Updates Single Server License 516471-B21

**NOTE:** This part number can be used to purchase a single license or to order multiple licenses with a single activation key. Customers will receive a license entitlement certificate via e-mail. The license entitlement certificate must be redeemed online or via fax in order to obtain the license activation key(s). Include one year of 24x7 HP Software Technical Support Services.

HP Smart Array Hot Plug Advance Pack for B110i w/1y 24x7 Supp Physical 1 Svr LTU TC421A

**NOTE:** Please see the following QuickSpecs for Technical Specifications and additional information:

[http://h18000.www1.hp.com/products/quickspecs/13203\\_div/13203\\_div.html](http://h18000.www1.hp.com/products/quickspecs/13203_div/13203_div.html)  
(Smart Array P212 Controller)

[http://h18000.www1.hp.com/products/quickspecs/13201\\_div/13201\\_div.html](http://h18000.www1.hp.com/products/quickspecs/13201_div/13201_div.html)  
(Smart Array P410 Controller)

[http://h18000.www1.hp.com/products/quickspecs/13202\\_div/13202\\_div.html](http://h18000.www1.hp.com/products/quickspecs/13202_div/13202_div.html)  
(Smart Array P411 Controller)

[http://h18000.www1.hp.com/products/quickspecs/13200\\_div/13200\\_div.html](http://h18000.www1.hp.com/products/quickspecs/13200_div/13200_div.html)  
(Smart Array Advanced Pack)

[http://h18000.www1.hp.com/products/quickspecs/13495\\_div/13495\\_div.html](http://h18000.www1.hp.com/products/quickspecs/13495_div/13495_div.html)  
(Smart Array Hot Plug Advance Pack for B110i)

#### SCSI HBA

HP SC11Xe Ultra320 Single Channel/ PCIe x4 SCSI Host Bus Adapter 412911-B21

**NOTE:** Recommended HBA for SCSI tape drive connect.

**NOTE:** Please see the QuickSpecs for Technical Specifications and additional information:

[http://h18000.www1.hp.com/products/quickspecs/12566\\_div/12566\\_div.html](http://h18000.www1.hp.com/products/quickspecs/12566_div/12566_div.html)  
(SCSI HBA)



# QuickSpecs

## HP ProLiant SL170z Generation 6 (G6)

### Additional Options

#### HP Storage Options

##### Fibre Channel HBA

**NOTE:** The following is a list of all Fibre Channel Host Bus Adapters for Windows and Linux. For detailed compatibility information please see:

<http://h18006.www1.hp.com/storage/saninfrastructure/hba.html>

##### Emulex Fibre Channel HBAs

HP 81E 8Gb Single Port PCI-e Fibre Channel Host Bus Adapter AJ762A

HP 82E 8Gb Dual Port PCI-e Fibre Channel Host Bus Adapter AJ763A

HP FC2142SR 4Gb PCIe Host Bus Adapter A8002A

HP FC2242SR 4Gb PCIe DC Host Bus Adapter A8003A

##### QLogic Fibre Channel HBAs

HP 81Q PCI-e Fibre Channel Host Bus Adapter AK344A

HP 82Q 8Gb Dual Port PCI-e Fibre Channel Host Bus Adapter AJ764A

HP FC1142SR 4Gb PCIe Host Bus Adapter AE311A

HP FC1242SR 4Gb PCIe DC Host Bus Adapter AE312A

##### Storage SCSI HBA

HP U320e SCSI Dual Channel Host Bus Adapter AH627A

**NOTE:** Recommended HBA for MSL SCSI Tape Library connect.

##### Converged Network Adapter

HP CN1100E Dual Port Converged Network Adapter BK835A

#### HP Disk Storage Systems

##### Disk Enclosures

HP D2600 Disk Enclosure AJ940A

HP D2700 Disk Enclosure AJ941A

**NOTE:** Please see the QuickSpecs for additional options and configuration information at:

[http://h18000.www1.hp.com/products/quickspecs/13404\\_div/13404\\_div.html](http://h18000.www1.hp.com/products/quickspecs/13404_div/13404_div.html)  
(Worldwide)

#### HP SL Advanced Power Manager

**NOTE:** The SL Advanced Power Manager is an optional rack level solution for the HP ProLiant SL6000 which enables server-level DC (or hardware) power on and off and server-level monitoring. In addition, the SL APM will automatically discover SL hardware components which are connected into the SL APM solution.

**NOTE:** The SL APM does not replace rack PDUs, but is designed to enable the utilization of basic, low cost, rack PDUs while providing the functionality of 'switched' PDUs which provide hardware power on/off of individual servers by turning off the AC power to the power supplies of a given server. Because the SL servers share power supplies to optimize power efficiency, using 'switched' PDUs to turn off the power supplies in the chassis will result in the loss of all servers in that chassis. The SL APM solves this by allowing server-level hardware power on/off of the DC power to the individual server motherboards.

HP SL Advanced Power Manager Kit 538084-B21

HP SL Advanced Power Manager Distribution Module Kit 539264-B21

**NOTE:** Connects up to 10 chassis.



# QuickSpecs

## HP ProLiant SL170z Generation 6 (G6)

### Additional Options

HP SL RJ45 Advanced Power Manager Option Module Kit 580212-B21

**NOTE:** 1 per SL APM Distribution module.

**NOTE:** Please see the UPS and PDU cable matrix's on the HP Power Protection and Management page. Under Power Cords, click on the "HP Power Cord Matrix" link. That link will list cable descriptions, requirements, and specifications for UPS and PDU units. Please see the following link: [www.hp.com/products/powercords](http://www.hp.com/products/powercords).

### HP Rack Series

#### HP Rack 10000 G2 Series (Carbon/Graphite Metallic)

HP 10642 G2 Pallet Universal Rack AF001A

HP 10642 G2 Shock Universal Rack AF002A

HP 10642 G2 1200mm deep Shock Rack AF092A

HP 10647 G2 1200mm deep Shock Rack AF094A

**NOTE:** It is mandatory to use a shock pallet when shipping racks with equipment installed.

**NOTE:** Please see the QuickSpecs for Technical Specifications and additional information:

[http://h18000.www1.hp.com/products/quickspecs/12402\\_div/12402\\_div.html](http://h18000.www1.hp.com/products/quickspecs/12402_div/12402_div.html)  
(Worldwide)

**NOTE:** For additional information regarding Rack Cabinets, please see the following URL: <http://www.hp.com/go/rackandpower>.

**NOTE:** HP ProLiant SL170z G6 models have two different rail kits to choose from:

- 10U bulk rail kit - Used to fit in HP 10000 series racks
  - One 10U bulk rail kit will hold up to five z6000 chassis, thus ten SL170z G6 server trays
- 2U rail kit - Used to fit in 3rd party racks or to sell one z6000 chassis at a time
  - One 2U rail kit will hold one z6000 chassis, thus two SL170z servers

For additional information, please visit: [www.hp.com/go/rackandpower](http://www.hp.com/go/rackandpower).

**NOTE:** The increasing power of new high-performance processor technology requires increased cooling efficiency for rack-mounted servers. The 10000 G2 Series Racks provide enhanced airflow for maximum cooling, allowing these racks to be fully loaded with servers using the latest processors.

**CAUTION:** If a third-party rack is used, observe the following additional requirements to ensure adequate airflow and to prevent damage to the equipment: Front and rear doors: If your 42U server rack includes closing front and rear doors, you must allow 830 square inches (5,350 sq cm) of hole evenly distributed from top to bottom to permit adequate airflow (equivalent to the required 64 percent open area for ventilation). Side: The clearance between the installed rack component and the side panels of the rack must be a minimum of 2.75 inches (7 cm).

**CAUTION:** Always use blanking panels to fill all remaining empty front panel U-spaces in the rack. This arrangement ensures proper airflow. Using a rack without blanking panels results in improper cooling that can lead to thermal damage.



# QuickSpecs

## HP ProLiant SL170z Generation 6 (G6)

### Additional Options

**NOTE:** Quick deploy rail system provides tool-free support for racks with square or round mounting holes (including Compaq/HP 7000, 9000, 10000 G2 and HP series), with an adjustment range of 24" - 36". The ambidextrous cable management arm can be mounted on either the left or right side for improved cable management.

**NOTE:** Cable management arm must be removed to access hot-plug power supplies when the cable management arm is mounted on the right.

---

HP USB and SD Options	HP USB 2-Button Optical Scroll Mouse	DC172B
	HP USB 04 Standard Keyboard	DT528A#ABA

---

HP Care Pack Services	<b>Hardware Services 4-Hour On-site Service</b>	
	HP 3 year 4 hour 24x7 ProLiant DL14x and DL16x Hardware Support	U9510E
	<b>Hardware Services Next Business Day On-Site Service</b>	
	HP 3 year Next business day ProLiant DL14x and DL16x Hardware Support	U9508E
	<b>Hardware Services 6-Hour Call to Repair On-Site Service</b>	
	HP Install ProLiant DL14x and DL16x Service	U9520E
	<b>LO100i Advanced Pack</b>	
	HP 3 year 24x7 Lights Out 100i Advanced Pack Software Support	UM748E
	<b>NOTE:</b> For more information, customer/resellers can contact: <a href="http://www.hp.com/services/carepack">http://www.hp.com/services/carepack</a> .	



# QuickSpecs

## HP ProLiant SL170z Generation 6 (G6)

### Memory

HP ProLiant SL170z G6 Server

**NOTE:** Memory configurations listed do not apply to "Factory Integrated Models".

**NOTE:** Chart does not represent all possible memory configurations.

#### DDR3 memory population guidelines

For detailed memory configuration rules and guidelines, please use the Online DDR3 Memory Configuration Tool:

[www.hp.com/go/ddr3memory-configurator](http://www.hp.com/go/ddr3memory-configurator)

Some DIMM installation guidelines are summarized below:

- For servers with sixteen (16) memory slots
- There are three (3) channels per processor; six (6) channels per server
- There are two (3) DIMM slots for two memory channels and one (2) DIMM slots for one memory channel; sixteen (16) total slots
- Memory channels 1 and 2 consists of the six (6) DIMMs that are furthest from the processor
- Memory channel 3 consists of the two (2) DIMMs that are closest to the processor
- DIMM slots that are white should be populated first
- Do not mix Unbuffered memory (UDIMMs) with Registered memory (RDIMMs)
- Do not install DIMMs if the corresponding processor is not installed
- If only one processor is installed in a 2CPU system, only half of the DIMM slots are available
- To maximize performance, balance the total memory capacity between all installed processors
- It is not required, but it is recommended to load the channels similarly if possible
- You can only have up to eight (8) ranks installed per channel
- You can only install two quad-rank DIMMs per channel
- You can only install two UDIMMs per channel; if available, the third slot in the channel must remain empty
- Populate DIMMs from heaviest load (quad-rank) to lightest load (single-rank) within a channel
- Heaviest load (DIMM with most ranks) within a channel goes furthest from the chipset
- For memory mirroring mode, channel 3 must be unpopulated. Channels 1 and 2 are populated identically
- For lock-step mode, channel 3 must be unpopulated. DIMMs in channels 1 and 2 will be installed in pairs. The paired slots will be 1,4; 2,5; 3,6 on a 3DPC system or 1,4; 2,5; on a 2DPC system
- If mixing DIMM voltage is a requirement, please note that the DIMMs will run at 1.5V since all 1.35V are capable of supporting 1.5V operations

DIMM slot/capacity/populated speed table										
DIMM Type ->	Registered DIMMs (RDIMMs)							Unbuffered with ECC DIMMs (UDIMMs)		
DIMM Rank ->	Single Rank (1R)	Dual Rank (2R)				Quad Rank (4R)		Single Rank (1R)	Dual Rank (2R)	
DIMM Capacity ->	4GB	2GB	4GB	8GB	8GB	4GB	16GB	1GB	2GB	4GB
DIMM Native Speed (MHz) ->	1333	1333	1333	1066	1333	1066	1066	1333	1333	1333
<b>SLOTS THAT CAN BE POPULATED</b>										
18 slot servers	16	16	16	16	16	12	12	12	12	12



# QuickSpecs

## HP ProLiant SL170z Generation 6 (G6)

### Memory

MAXIMUM CAPACITY (GB)										
	64	32	64	128	128	48	192	12	24	48
POPULATED DIMM SPEED (MHz)										
1 DIMM Per Channel	1333	1333	1333	1066	1333	1066	1066	1333	1333	1333
2 DIMMs Per Channel	1333*	1333*	1333*	1066	1333*	800	800	1333	1333	1333*
3 DIMMs Per Channel (on 2 channels)	800	800	800	800	800	N/A	N/A	N/A	N/A	N/A

\* Supported at 1333 via setting in ROM based setup utility (RBSU)

#### NOTES:

- PC3-10600 DIMMs have a maximum speed of 1333MHz. PC3-8500 DIMMs have a maximum speed of 1066MHz
  - Mixing DIMM speeds is allowed, but the system processor speed rules always override the DIMM capabilities
  - If you do mix DIMM speeds, the memory bus will default to the minimum clock rate of all DIMMs in the system - even if the slower DIMM is on the other processor
  - If you install 1x 1066MHz DIMM in channel 1 and 1x 1333MHz DIMM in channel 2, the maximum speed will be 1066MHz If you install 1x 1066MHz DIMM in channel 1 and 5x 1333MHz DIMMs with 1 DIMM Per Channel (DPC) in each of the other channels, the maximum speed will be 1066MHz
  - If you install 3DPC in one channel (if applicable) and 1DPC in all other channels, you run at 800MHz
  - Maximum memory speed will also depend on the processor installed
- References to the above MHz speeds are for the various speeds of DDR3 DIMMs; 1333 refers to DDR3-1333, etc.

#### DIMM slot and configuration diagrams

##### Basic memory slot & population diagram

- Population order; start with "A" first, "B" second, "C" third, etc.

16 DIMM SLOTS (8 per CPU node)					
	CPU1		CPU2		
	slot #	population order	slot #	population order	
Chnl 1	1	A	1	A	Chnl 1
	2	D	2	D	
	3	G	3	G	
Chnl 2	4	B	4	B	Chnl 2
	5	E	5	E	
	6	H	6	H	
Chnl 3	7	C	7	C	Chnl 3
	8	F	8	F	

##### Standard memory configuration (1 CPU model)

- 6GB, consisting of three (3) 2GB dual-rank PC3-10600E UDIMMs



# QuickSpecs

## HP ProLiant SL170z Generation 6 (G6)

### Memory

	CPU1		CPU2		
	slot #	population order	slot #	population order	
Chnl 1	1	A; 2GB DIMM	1	A; empty	Chnl 1
	2	D; empty	2	D; empty	
	3	G; empty	3	G; empty	
Chnl 2	4	B; 2GB DIMM	4	B; empty	Chnl 2
	5	E; empty	5	E; empty	
	6	H; empty	6	H; empty	
Chnl 3	7	C; 2GB DIMM	7	C; empty	Chnl 3
	8	F; empty	8	F; empty	

#### Standard memory plus optional memory (1 CPU model)

- 12GB, consisting of three (3) 2GB UDIMMs plus three (3) 2GB UDIMMs
  - 6x 2GB dual-rank PC3-10600E UDIMMs

	CPU1		CPU2		
	slot #	population order	slot #	population order	
Chnl 1	1	A; 2GB DIMM	1	A; empty	Chnl 1
	2	D; 2GB DIMM	2	D; empty	
	3	G; empty	3	G; empty	
Chnl 2	4	B; 2GB DIMM	4	B; empty	Chnl 2
	5	E; 2GB DIMM	5	E; empty	
	6	H; empty	6	H; empty	
Chnl 3	7	C; 2GB DIMM	7	C; empty	Chnl 3
	8	F; 2GB DIMM	8	F; empty	

#### Standard memory replaced with optional memory (1 CPU model)

##### RDIMM maximum configuration

- 96GB, consisting of eight (6) 16GB dual-rank PC3-8500 RDIMMs



# QuickSpecs

## HP ProLiant SL170z Generation 6 (G6)

### Memory

	CPU1		CPU2		
	slot #	population order	slot #	population order	
Chnl 1	1	A; 16GB DIMM	1	A; empty	Chnl 1
	2	D; 16GB DIMM	2	D; empty	
	3	G; empty	3	G; empty	
Chnl 2	4	B; 16GB DIMM	4	B; empty	Chnl 2
	5	E; 16GB DIMM	5	E; empty	
	6	H; empty	6	H; empty	
Chnl 3	7	C; 16GB DIMM	7	C; empty	Chnl 3
	8	F; 16GB DIMM	8	F; empty	

### Standard memory replaced with optional memory (2 CPU model)

#### RDIMM maximum configuration

- 192GB, consisting of twelve (12) 16GB PC3-8500 RDIMMs

	CPU1		CPU2		
	slot #	population order	slot #	population order	
Chnl 1	1	A; 16GB DIMM	1	A; 16GB DIMM	Chnl 1
	2	D; 16GB DIMM	2	D; 16GB DIMM	
	3	G; Empty	3	G; Empty	
Chnl 2	4	B; 16GB DIMM	4	B; 16GB DIMM	Chnl 2
	5	E; 16GB DIMM	5	E; 16GB DIMM	
	6	H; empty	6	H; empty	
Chnl 3	7	C; 16GB DIMM	7	C; 16GB DIMM	Chnl 3
	8	F; 16GB DIMM	8	F; 16GB DIMM	

#### UDIMM maximum configuration

- 48GB, consisting of twelve (12) 4GB dual-rank PC3-10600 UDIMMs

	CPU1		CPU2		
	slot #	population order	slot #	population order	
Chnl 1	1	A; 4GB DIMM	1	A; 4GB DIMM	Chnl 1
	2	D; 4GB DIMM	2	D; 4GB DIMM	
	3	G; empty	3	G; empty	
Chnl 2	4	B; 4GB DIMM	4	B; 4GB DIMM	Chnl 2
	5	E; 4GB DIMM	5	E; 4GB DIMM	
	6	H; empty	6	H; empty	
Chnl 3	7	C; 4GB DIMM	7	C; 4GB DIMM	Chnl 3
	8	F; 4GB DIMM	8	F; 4GB DIMM	





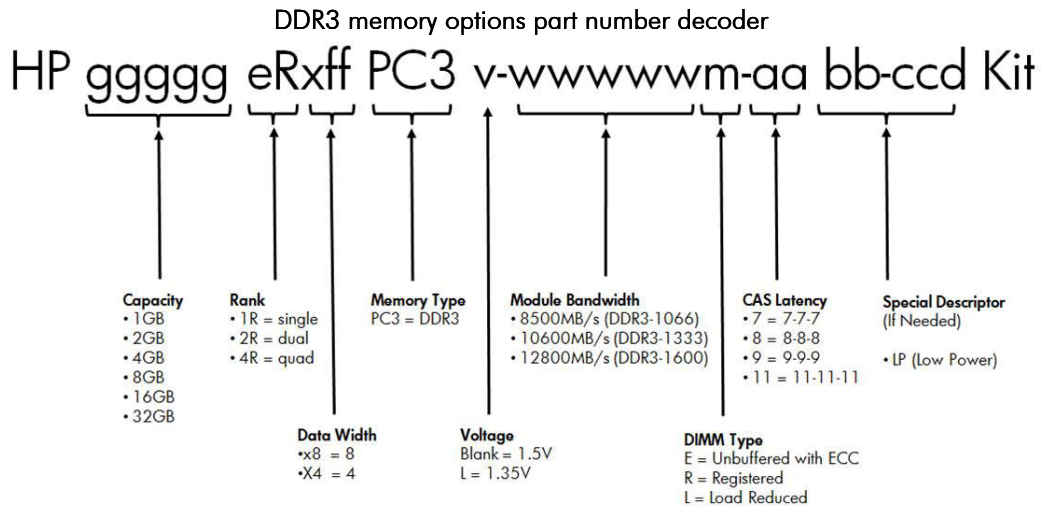
# QuickSpecs

## HP ProLiant SL170z Generation 6 (G6)

### Memory

**NOTE:** Capacity references are rounded to the common Gigabyte values.

- 1GB = 1024MB
- 2GB = 2048MB
- 4GB = 4096MB
- 8GB = 8192MB
- 16GB = 16384MB



Following are memory options available from HP:

#### HP Memory

#### Registered DIMMs (RDIMMs)

HP 2GB (1x2GB) Dual Rank x8 PC3-10600 (DDR3-1333) Registered CAS-9 Memory Kit	500656-B21
HP 4GB (1x4GB) Dual Rank x4 PC3-10600 (DDR3-1333) Registered CAS-9 Memory Kit	500658-B21
HP 4GB (1x4GB) Quad Rank x8 PC3-8500 (DDR3-1066) Registered CAS-7 Low Power Memory Kit	500660-B21
HP 4GB (1x4GB) Single Rank x4 PC3-10600 (DDR3-1333) Registered CAS-9 Memory Kit	593339-B21
HP 4GB (1x4GB) Single Rank x4 PC3L-10600 (DDR3-1333) Registered CAS-9 Low Power Memory Kit	604504-B21
<b>NOTE:</b> Low Voltage DIMMs can only be used with Intel® Xeon® processor 5600 series processors.	
HP 8GB (1x8GB) Dual Rank x4 PC3-10600 (DDR3-1333) Registered CAS-9 Memory Kit	500662-B21
HP 8GB (1x8GB) Dual Rank x4 PC3L-10600 (DDR3-1333) Registered CAS-9 Low Power Memory Kit	604506-B21
<b>NOTE:</b> Low Voltage DIMMs can only be used with Intel® Xeon® processor 5600 series processors.	



# QuickSpecs

## HP ProLiant SL170z Generation 6 (G6)

### Memory

HP 16GB (1x16GB) Quad Rank x4 PC3-8500 (DDR3-1066) Registered CAS-7 Memory Kit 500666-B21

**Unbuffered with ECC DIMMs (UDIMMs)**

**NOTE:** Maximum 12 DIMMs supported per node

HP 1GB (1x1GB) Single Rank x8 PC3-10600 (DDR3-1333) Unbuffered CAS-9 Memory Kit 500668-B21

HP 2GB (1x2GB) Dual Rank x8 PC3-10600 (DDR3-1333) Unbuffered CAS-9 Memory Kit 500670-B21

HP 4GB (1x4GB) Dual Rank x8 PC3-10600 (DDR3-1333) Unbuffered CAS-9 Memory Kit 500672-B21

**NOTE:** All DDR3 memory option kits consist of one DIMM per kit. For detailed memory configuration rules and guidelines, please use the Online DDR3 Memory Configuration Tool: [www.hp.com/go/ddr3memory-configurator](http://www.hp.com/go/ddr3memory-configurator).

**NOTE:** Kits described as LP include Low Power DIMMs. For more information on ProLiant Energy Efficient Features, see: [www.hp.com/go/proliant-energy-efficient](http://www.hp.com/go/proliant-energy-efficient)

**NOTE:** There is a maximum support limitation of 8 ranks per memory channel (maximum of 2 quad rank DIMMs per channel)

**NOTE:** PC3L is a low voltage memory

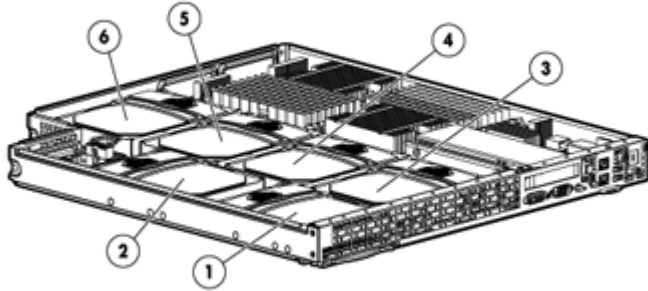


# QuickSpecs

## HP ProLiant SL170z Generation 6 (G6)

### Storage

- 1-6 Six 3.5" Non-hot plug SATA hard drive bays - Using quick release carrier



### Drive Support

#### Hard Drives

**NOTE:** The components of a storage subsystem (e.g. the drive, the HBA/controller, firmware, and the server backplane) should operate at the same data transfer rate or the system bandwidth will be negotiated down to an acceptable level for all components.

**NOTE:** Hard drives have either a one year or three year warranty.

#### SAS Non-Hot Plug LFF (3.5-inch) Enterprise (ENT) Drives - with quick-release (QR) carrier

	Quantity Supported	Position Supported	Controller
600GB 6G SAS 10K	Up to 6	1-6	HP Smart Array P212/Zero Memory Controller
300GB 6G SAS 10K			HP Smart Array P212/256 MB Controller
			<b>NOTE:</b> HP P212 SAS 4HDD Cable Kit is required when adding SAS hard drives using the P212 controller.
			HP Smart Array P410/256 MB Controller
			HP Smart Array P410/512 MB BBWC Controller
			<b>NOTE:</b> HP P410 SAS 4HDD Cable Kit is required when adding SAS hard drives using the P410 controller.

#### SAS Non-Hot Plug SFF (2.5-inch) Enterprise (ENT) Drives - with quick-release (QR) carrier

	Quantity Supported	Position Supported	Controller
300GB 6G SAS 10K	Up to 8	1-8	HP Smart Array P212/Zero Memory Controller
			HP Smart Array P212/256 MB Controller
			<b>NOTE:</b> HP P212 SAS 4HDD Cable Kit is required when adding SAS hard drives using the P212 controller.
			HP Smart Array P410/256 MB Controller
			HP Smart Array P410/512 MB BBWC Controller
			<b>NOTE:</b> HP P410 SAS 4HDD Cable Kit is required when adding SAS hard drives using the P410 controller.

#### SAS Non-Hot Plug LFF (3.5-inch) Midline (MDL) Drives - with quick-release (QR) carrier



# QuickSpecs

## HP ProLiant SL170z Generation 6 (G6)

### Storage

	Quantity Supported	Position Supported	Controller
2TB 6G SAS 7.2K	Up to 6	1-6	HP Smart Array P212/Zero Memory Controller HP Smart Array P212/256 MB Controller <b>NOTE:</b> HP P212 SAS 4HDD Cable Kit is required when adding SAS hard drives using the P212 controller. HP Smart Array P410/256 MB Controller HP Smart Array P410/512 MB BBWC Controller <b>NOTE:</b> HP P410 SAS 4HDD Cable Kit is required when adding SAS hard drives using the P410 controller.

#### SATA Non-Hot Plug LFF (3.5-inch) Entry (ETY) Drives - with quick-release (QR) carrier

	Quantity Supported	Position Supported	Controller
160GB 3G SATA 7.2K	Up to 6	1-6	HP Embedded SATA RAID Controller <b>NOTE:</b> Transfer rate: 3 Gb/s SATA

#### SATA Non-Hot Plug LFF (3.5-inch) Midline (MDL) Drives - with quick-release (QR) carrier

	Quantity Supported	Position Supported	Controller
2TB 3G SATA 7.2K 1TB 3G SATA 7.2K 500GB 3G SATA 7.2K	Up to 6	1-6	HP Embedded SATA RAID Controller <b>NOTE:</b> Transfer rate: 3 Gb/s SATA

#### SATA Non-Hot Plug SFF (2.5-inch) Midline (MDL) Drives - with quick-release (QR) carrier

	Quantity Supported	Position Supported	Controller
500GB 3G SATA 7.2K	Up to 8	1-8	HP Embedded SATA RAID Controller <b>NOTE:</b> Transfer rate: 3 Gb/s SATA

#### SATA Non-Hot Plug Midline (MDL) Solid State Drives - with quick-release (QR) carrier

	Quantity Supported	Position Supported	Controller
120GB 3G SATA 60GB 3G SATA	Up to 8	1-8	HP Embedded SATA RAID Controller for up to 6 <b>NOTE:</b> Transfer rate: 3 Gb/s SATA HP Smart Array P410/256 MB Controller for up to 8

### External Storage

	Quantity Supported	Position Supported	Controller
D2600 Disk Enclosure	Up to 4 Up to 8	External	HP Smart Array P212/256 MB Controller HP Smart Array P411/256 MB Controller HP Smart Array P411/512 MB Controller



# QuickSpecs

## HP ProLiant SL170z Generation 6 (G6)

### Power Specifications

HP 460W Common Slot Platinum Hot Plug Power Supply Kit							
Part Number	593188-B21						
Input Voltage Range ( V rms )	100 to 240						
Frequency Range (Nominal) ( Hz )	50/60						
Nominal Input Voltage ( Vrms )	100	120	200	208	220	230	240
Maximum Rated Output Wattage Rating	460	460	460	460	460	460	460
Nominal Input Current ( A rms )	5.3	4.3	2.5	2.4	2.3	2.2	2.1
Maximum Rated Input Wattage Rating ( Watts )	512	505	493	493	492	492	491
Maximum Rated VA ( Volt-Amp )	526	518	506	506	505	505	504
Efficiency ( % )	89.8	91.2	93.2	93.3	93.5	93.6	93.6
Power Factor	0.985						
Leakage Current ( mA )	0.42	0.50	0.83	0.87	0.92	0.96	1.00
Maximum Inrush Current ( A peak )	30						
Maximum Inrush Current duration ( mS )	20						
Maximum British Thermal Unit Rating ( BTU-Hr )	1747	1722	1683	1682	1679	1678	1677

HP 460W Common Slot Gold Hot Plug Power Supply Kit							
Part Number	503296-B21						
Input Voltage Range (Vrms)	100 to 240						
Frequency Range (Nominal) (Hz)	50/60						
Nominal Input Voltage (Vrms)	100	120	200	208	220	230	240
Maximum Rated Output Wattage	460	460	460	460	460	460	460
Nominal Input Current (A rms)	5.5	4.5	2.6	2.5	2.4	2.3	2.2
Max Rated Input Wattage Rating (Watts)	526	520	505	505	503	503	503
Max. Rated VA (Volt-Amp)	548	542	527	527	524	524	524
Efficiency (%) at Max. Rated Output Wattage	87.5	88.5	91	91	91.5	91.5	91.5
Power Factor	0.97	0.97	0.97	0.97	0.97	0.97	0.97
Leakage Current (mA)	0.42	0.50	0.83	0.87	0.92	0.96	1.00
Max. Inrush Current (A peak)	30	30	30	30	30	30	30
Max. Inrush Current duration (mS)	20	20	20	20	20	20	20
Maximum British Thermal Unit Rating (BTU-Hr)	1794	1773	1725	1725	1715	1715	1715



# QuickSpecs

## HP ProLiant SL170z Generation 6 (G6)

### Power Specifications

HP 750W Common Slot Platinum Hot Plug Power Supply Kit							
Part Number	593831-B21						
Input Voltage Range ( V rms )	100 to 240						
Frequency Range (Nominal) ( Hz )	50/60						
Nominal Input Voltage ( Vrms )	100	120	200	208	220	230	240
Maximum Rated Output Wattage Rating	750	750	750	750	750	750	750
Nominal Input Current ( A rms )	8.6	7.1	4.2	4.0	3.8	3.6	3.4
Maximum Rated Input Wattage Rating ( Watts )	841	828	809	808	807	806	805
Maximum Rated VA ( Volt-Amp )	863	850	830	829	828	827	826
Efficiency ( % )	89.2	90.6	92.7	92.8	93	93.1	93.2
Power Factor	0.985						
Leakage Current ( mA )	0.42	0.50	0.83	0.87	0.92	0.96	1.00
Maximum Inrush Current ( A peak )	30						
Maximum Inrush Current duration ( mS )	20						
Maximum British Thermal Unit Rating ( BTU-Hr )	2868	2825	2761	2757	2753	2749	2747

HP 750W Common Slot Gold Hot Plug Power Supply Kit							
Part Number	512327-B21						
Input Voltage Range ( Vrms )	100 to 240						
Frequency Range (Nominal) ( Hz )	50/60						
Nominal Input Voltage ( Vrms )	100	120	200	208	220	230	240
Maximum Rated Output Wattage	750	750	750	750	750	750	750
Nominal Input Current ( A rms )	8.9	7.4	4.3	4.1	3.9	3.7	3.6
Max Rated Input Wattage Rating (Watts)	857	847	824	825	820	820	820
Max. Rated VA (Volt-Amp)	894	884	859	859	854	854	854
Efficiency (%) at Max. Rated Output Wattage	87.5	88.5	91	91	91.5	91.5	91.5
Power Factor	0.97	0.97	0.97	0.97	0.97	0.97	0.97
Leakage Current ( mA )	0.42	0.50	0.83	0.87	0.92	0.96	1.00
Max. Inrush Current ( A peak )	30	30	30	30	30	30	30
Max. Inrush Current duration ( mS )	20	20	20	20	20	20	20
Maximum British Thermal Unit Rating ( BTU-Hr )	2925	2892	2812	2812	2797	2797	2797



# QuickSpecs

## HP ProLiant SL170z Generation 6 (G6)

### Power Specifications

HP 1200W Common Slot Platinum Hot Plug Power Supply Kit							
Part Number	578322-B21						
Input Voltage Range ( V rms )	100 to 240						
Frequency Range (Nominal) ( Hz )	50/60						
Nominal Input Voltage ( Vrms )	100	120	200	208	220	230	240
Maximum Rated Output Wattage Rating	800	900	1200	1200	1200	1200	1200
Nominal Input Current ( A rms )	9.3	8.6	6.7	6.5	6.1	5.8	5.6
Maximum Rated Input Wattage Rating ( Watts )	889	989	1290	1290	1290	1290	1290
Maximum Rated VA ( Volt-Amp )	927	1031	1345	1345	1345	1345	1345
Efficiency ( % )	90	91	93	93	93	93	93
Power Factor	0.97						
Leakage Current ( mA )	0.42	0.50	0.83	0.87	0.92	0.96	1.00
Maximum Inrush Current ( A peak )	30						
Maximum Inrush Current duration ( mS )	20						
Maximum British Thermal Unit Rating ( BTU-Hr )	3033	3375	4403	4403	4403	4403	4403

HP 1200W Common Slot Silver Hot Plug Power Supply Kit							
Part Number	500172-B21						
Operational Input Voltage Range (Vrms)	100 to 240						
Frequency Range (Nominal) (Hz)	50/60						
Nominal Input Voltage (Vrms)	100	120	200	208	220	230	240
Maximum Rated Output Wattage	800	900	1200	1200	1200	1200	1200
Nominal Input Current (A rms)	9.7	9.0	7.0	6.8	6.4	6.1	5.9
Max Rated Input Wattage Rating (Watts)	930	1034	1348	1348	1348	1348	1348
Max. Rated VA (Volt-Amp)	970	1079	1406	1406	1406	1406	1406
Efficiency (%) at Max. Rated Output Wattage	86	87	89	89	89	89	89
Power Factor	0.97	0.97	0.97	0.97	0.97	0.97	0.97
Leakage Current (mA)	0.42	0.50	0.83	0.87	0.92	0.96	1.00
Max. Inrush Current (A peak)	30	30	30	30	30	30	30
Max. Inrush Current duration (mS)	20	20	20	20	20	20	20
Maximum British Thermal Unit Rating (BTU-Hr)	3174	3530	4600	4600	4600	4600	4600

To review typical system power ratings use the Active Answers HP Power Advisor which is available via the online tool located at URL: [www.hp.com/go/proliant-energy-efficient](http://www.hp.com/go/proliant-energy-efficient) or [www.hp.com/go/hppoweradvisor](http://www.hp.com/go/hppoweradvisor)



# QuickSpecs

## HP ProLiant SL170z Generation 6 (G6)

### Technical Specifications

<b>System Unit</b>	<b>Dimensions</b> (H x W x D) (with bezel)	3.46 x 17.64 x 28.11 in (8.79 x 44.81 x 71.37 cm)	
	<b>Weight</b> (approximate)	Maximum (all hard drives, power supplies, and processors installed)	69.3 lb (31.43 kg)
	<b>Input Requirements</b> (per power supply)	Rated Line Voltage	90 to 140 VAC 180 to 264 VAC
		Rated Input Current	7.31A at 115VAC 3.6A at 230VAC
		Rated Input Frequency	47 to 63 Hz
		Rated Input Power	855W (at 100 VAC), 840.72W (at 200 VAC)
	<b>Power Specifications</b>	To review typical system power ratings use the HP Power Advisor which is available via the online tool located at URL: <a href="http://www.hp.com/go/proliant-energy-efficient">www.hp.com/go/proliant-energy-efficient</a>	
	<b>Power Supply Output</b> (per power supply)	Rated Steady-State Power	653.10W (at 100 VAC), 653.08W (at 200 VAC)
	<b>System Inlet Temperature</b>	Operating	50° to 95° F (10° to 35° C) at sea level with an altitude derating of 1.8°F per every 1000 ft (1.0°C per every 305 m) above sea level to a maximum of 10,000 ft (3050 m), no direct sustained sunlight. Maximum rate of change is 18°F/hr (10°C/hr). The upper limit may be limited by the type and number of options installed. System performance may be reduced if operating with a fan fault or above 86°F (30°C).
		Non-operating	40° to 140° F (-40° to 60° C) Maximum rate of change is 36°F/hr (20°C/hr).
	<b>Relative Humidity</b> (non-condensing)	Operating	10% to 85% relative humidity (Rh), 82.4°F (28°C) maximum wet bulb temperature, non-condensing.
		Non-operating	10% to 95% relative humidity (Rh), 101.7°F (38.7°C) maximum wet bulb temperature, non-condensing.
	<b>Altitude</b>	Operating	10,000 ft (3050 m). This value may be limited by the type and number of options installed. Maximum allowable altitude change rate is 1500 ft/min (457 m/min).
		Non-operating	30,000 ft (9144 m). Maximum allowable altitude change rate is 1500 ft/min (457 m/min).
	<b>Acoustic Noise</b>	Listed are the declared A-Weighted sound power levels ( $L_{WA(d)}$ ) and declared average bystander position A-Weighted sound pressure levels ( $L_{pAm}$ ) when the product is operating in a 23°C ambient environment. Noise emissions were measured in accordance with ISO 7779 (ECMA 74) and declared in accordance with ISO 9296 (ECMA 109).	





# QuickSpecs

## HP ProLiant SL170z Generation 6 (G6)

### Technical Specifications

	<b>Idle</b>	
	<i>L<sub>WAd</sub></i>	6.86
	<i>L<sub>pAm</sub></i>	52.36dBA
	<b>Operating</b>	
	<i>L<sub>WAd</sub></i>	6.89
	<i>L<sub>pAm</sub></i>	52.60dBA
<b>Emissions Classification (EMC)</b>	<b>FCC Rating</b>	Class A
	<b>Normative Standards</b>	CISPR 22; EN55022; EN55024; FCC CFR 47, Pt 15; ICES-003; CNS13438; GB9254; K22;K24; EN 61000-3-2; EN 61000-3-3; EN 60950-1; IEC 60950-1

**NOTE:** Product conformance to cited product specifications is based on sample (type) testing, evaluation, or assessment. This product or family of products is eligible to bear the appropriate compliance logos and statements.

<b>Embedded NC362i PCIe Gigabit Server Adapter</b>	<b>Network Interface</b>	Integrated 10/100/1000BASE-T Transceiver Combines a triple-speed IEEE 802.3TM - Compliant Media Access Controller (MAC) with a triple-speed Ethernet transceiver.	
	<b>Data Transfer Method</b>	Compliant to x4 PCIe Specification	
	<b>Controller</b>	Intel® 82576	
	<b>Network Transfer Rate</b>	10Base-T (Half-Duplex)	10 Mb/s
		10Base-T (Full-Duplex)	20 Mb/s
		100Base-TX (Half-Duplex)	100 Mb/s
		100Base-TX (Full-Duplex)	200 Mb/s
		1000Base-TX (Half and Full-Duplex)	2000Mb/s
	<b>Connector</b>	RJ-45 connector	
	<b>Cable Support</b>	Performs all the physical layer functions for 10BASE-T, 100BASE-T, and 1000BASE-T Ethernet on standard Category 5 UTP	



# QuickSpecs

## HP ProLiant SL170z Generation 6 (G6)

### Technical Specifications

#### Environment-friendly Products and Approach

#### End-of-life Management and Recycling

Hewlett-Packard offers end-of-life HP product return, trade-in, and recycling programs in many geographic areas. For trade-in information, please go to: <http://www.hp.com/go/green>. To recycle your product, please go to: <http://www.hp.com/go/green> or contact your nearest HP sales office. Products returned to HP will be recycled, recovered or disposed of in a responsible manner.

The EU WEEE directive (2002/95/EC) requires manufacturers to provide treatment information for each product type for use by treatment facilities. This information (product disassembly instructions) is posted on the Hewlett Packard web site at: <http://www.hp.com/go/green>. These instructions may be used by recyclers and other WEEE treatment facilities as well as HP OEM customers who integrate and re-sell HP equipment.

---

© Copyright 2011 Hewlett-Packard Development Company, L.P.

The information contained herein is subject to change without notice.

Microsoft and Windows NT are US registered trademarks of Microsoft Corporation. Intel, the Intel logo, Xeon and Xeon Inside are trademarks of Intel Corporation in the U.S. and other countries.

The only warranties for HP products and services are set forth in the express warranty statements accompanying such products and services. Nothing herein should be construed as constituting an additional warranty. HP shall not be liable for technical or editorial errors or omissions contained herein.

For hard drives, 1GB = 1 billion bytes. Actual formatted capacity is less.

