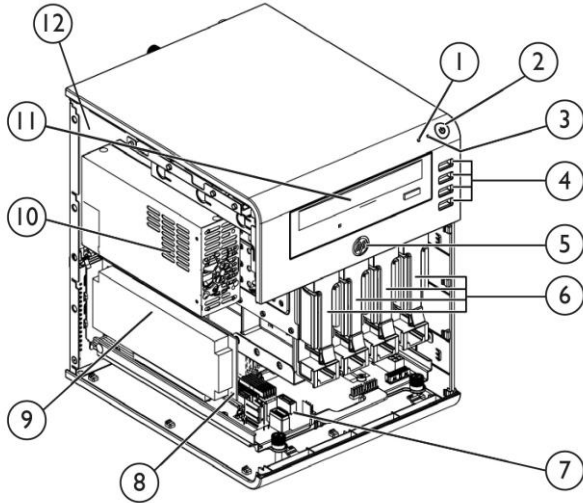


# QuickSpecs

## HP ProLiant MicroServer

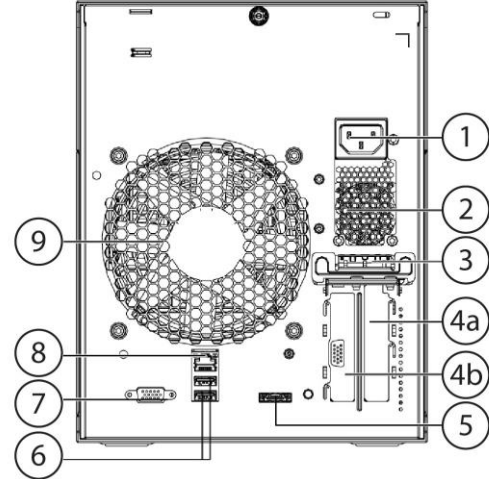
### Overview

### HP ProLiant MicroServer



#### Front View:

1. NIC LED
2. Power Button
3. HDD LED
4. USB Ports
5. Health LED
6. Hard Drive Bays
7. System Board
8. Remote Access Card slot
9. PCIe slot
10. Power Supply
11. Optical Drive Bay
12. Front view drawing is for reference only. The side panel is not removable.



#### Rear View:

1. Power Supply Outlet
2. PSU Fan
3. PCI Holder
- 4a. PCI Bracket 1
- 4b. PCI Bracket 2
5. e-SATA Connector
6. USB 2.0 Ports
7. VGA Port
8. Embedded NIC Port
9. Rear System Fan

### What's New

- New pre-configured BTO model with 4GB UDIMM

### At A Glance

- **Processor:**
  - AMD Turion™ II Neo N54L (2.2GHz)
  - AMD RS785E/SB820M chipset
- **Memory:**
  - Two (2) DIMM slots
  - 4GB (1x4GB) Standard/8GB Maximum, using PC3-10600E DDR3 Unbuffered (UDIMM) ECC memory, operating at max. 800MHz
- **Storage Controller:**
  - Embedded AMD SATA controller with RAID 0, 1
  - Embedded AMD eSATA controller for connecting external storage devices via the eSATA connector in the rear of the server

# QuickSpecs

## HP ProLiant MicroServer

### Overview

- **Internal Drive Support:**
  - 4 Internal HDD Support
  - Maximum internal SATA storage capacity of up to 8.0TB (4 x 2TB 3.5" SATA drives)
- **Network Controller:**
  - Embedded NC107i PCI Express Gigabit Ethernet Server Adapter
- **Expansion Slots:**
  - Slot 1: PCI-Express Gen 2 x16 connector with x16 link
  - Slot 2: PCI-Express Gen 2 x1 connector with x1 Link
  - Slot 2-2: PCI-Express x4 slot for optional management card
- **USB 2.0 Ports:**
  - Seven (7) USB 2.0 ports: 4 front , 2 rear, 1 internal (for tape)
- **Power Supply:**
  - 150 Watts Non-Hot Plug, Non Redundant Power Supply
- **Management:**
  - Optional MicroServer Remote Access Card
- **Operating System:**
  - Supports Windows and Red Hat Linux
- **Form Factor:**
  - Ultra Micro tower
- **Warranty:**
  - This product is covered by a global limited warranty and supported by HP Services and a worldwide network of HP Authorized Channel Partners. Hardware diagnostic support and repair is available for one year from date of purchase. Support for software and initial setup is available for 90 days from date of purchase. Enhancements to warranty services are available through HP Care Pack services or customized service agreements. Hard drives have either a one year or three year warranty; refer to the specific hard drive QuickSpecs for details.  
**NOTE:** Server Warranty includes 1 year Next Day Parts replacement, 0-Years Labor, 0-Years Onsite support. Additional information regarding worldwide limited warranty and technical support is available at: <http://h18004.www1.hp.com/products/servers/platforms/warranty/index.html>.

# QuickSpecs

## HP ProLiant MicroServer

### Standard Features

<b>Processor</b>	<b>Dual-Core Processor</b> AMD Turion II Processor Model Neo N54L (2.20 GHz, 15W, 2MB)					
<b>Cache Memory</b>	2x 1MB Level 2 cache					
<b>Chipset</b>	AMD RS785E/SB820M					
<b>Memory Protection</b>	ECC					
<b>Memory</b>	Type	PC3-10600E unbuffered DDR3 ECC operating at 800MHz				
	Standard	1 GB (1x1GB) 4GB (1x4GB)				
	Maximum	8 GB				
<b>Network Controller</b>	Embedded NC107i PCI Express Gigabit Ethernet Server Adapter					
<b>Expansion Slots #</b>	<b>Technology</b>	<b>Bus Width**</b>	<b>Connector Width</b>	<b>Bus Number*</b>	<b>Form Factor</b>	<b>Notes</b>
1	PCI-e	x16	x16	1h	Half height, half length slot	
2	PCI-e	x1	x1	2h	Half height, half length slot	
<p>* Default bus assignment (in decimal). Inserting cards with PCI bridges may alter the actual bus assignment number.</p> <p>** Indicates the number of physical electrical lanes running to a PCI-e connector.</p>						
<b>Storage Controller</b>	Integrated SATA controller with embedded RAID (0, 1) <b>NOTE:</b> Embedded RAID setup instructions are located in the <a href="#">MicroServer User Guide</a> .					
<b>Internal Storage Devices</b>	Optical Drive	Optional: Half-Height SATA DVD-RW drive				
	Hard Drives	None included				
<b>Maximum Internal Storage</b>	Non-Hot Plug SATA	8TB (4 x 2TB) 3.5" SATA				
<b>Interfaces</b>	Graphics	On board VGA				
	USB 2.0 Ports	7 total (2 rear, 4 front panel, 1 internal)				
	Network RJ-45 (Ethernet)	1 (10/100/1000 bits/s)				
	eSATA Gen 2	1 rear				
<b>Graphics</b>	128MB shared supporting 1920x1200 @ 60Hz					
<b>Form Factor</b>	Ultra Micro Tower					
<b>Industry Standard Compliance</b>	ACPI V2.0 Compliant PCI 2.3 Compliant PXE Support WOL Support					

# QuickSpecs

## HP ProLiant MicroServer

### Standard Features

IPMI 2.0 compliant  
USB 2.0  
SATA Gen 2

---

**Security** Setup password

---

**Server Power Cords** 7 country specific, lowline NEMA power cord.

---

**Power Supply** 150 Watts Non-Hot Plug, Non redundant Power Supply

---

**System Fans** One (1) - Non-redundant system fan shipped standard

---

**Operating Systems** [Microsoft Windows Server](#)  
[Red Hat Enterprise Linux \(RHEL\)](#)

**NOTE:** For more information on HP's Certified and Supported ProLiant Servers for OS and Virtualization Software and latest listing of software drivers available for your server, please visit our Support Matrix at: <http://www.hp.com/go/ossupport> and our driver download page: <http://www.hp.com/support/MicroServer>

### Service and Support

#### Service and Support

#### **HP Technology Services for Industry Standard Servers**

HP Technology Services delivers confidence, reduces risk and helps customers realize agility and stability. Connect to HP to help prevent problems and solve issues faster. Our support technology lets you to tap into the knowledge of millions of devices and thousands of experts to stay informed and in control, anywhere, any time.

#### **Protect your business beyond warranty with HP Care Pack Services**

HP Care Pack Services enable you to order the right service level, length of coverage and response time as you purchase your new server, giving you full entitlement for the term you select.

#### Optimized Care

#### **Supports maintaining servers at optimum performance availability**

#### **Foundation Care 24x7, three-year Care Pack Service**

HP Foundation Care 24x7 connects you to HP 24 hours a day, seven days a week for assistance on resolving issues. Hardware onsite response within four hours if needed; collaborative software included in this Care Pack service provides troubleshooting assistance on industry leading software running on your HP server. Simplify your support experience and make HP your first call for hardware or software questions.

<http://h20195.www2.hp.com/V2/GetDocument.aspx?docname=4AA4-8876ENW&cc=us&lc=en>

#### Standard Care

#### **Service recommendation that maintains high level of server availability**

#### **Foundation Care NBD, three-year Care Pack Service**

HP Foundation Care Next Business Day connects you to HP during business hours for assistance on resolving issues - features next business day hardware onsite response if needed and software call back within two hours. Collaborative software support is included and provides troubleshooting assistance on industry leading software running on your server. Simplify your support experience and make HP your first call for hardware or software questions.

<http://h20195.www2.hp.com/V2/GetDocument.aspx?docname=4AA4-8876ENW&cc=us&lc=en>

#### Related Services

#### **HP ProLiant Server Hardware Installation**

Provides for the basic hardware installation of HP branded servers, storage devices and networking options to assist you in bringing your new hardware into operation in a timely and professional manner.

<http://h20195.www2.hp.com/V2/GetPDF.aspx/5981-9356EN.pdf>

#### **Get connected to HP to improve your support experience**

Prevent problems with innovative, automated monitoring tools and proactive services. Combining Proactive Care Services with our remote support technology such as Insight Online provides you with expert advice and personalized, cloud-based automated IT support, helping to prevent unplanned down time and solve problems quickly. For more information, visit:

[www.hp.com/go/proactiveinsightexperience](http://www.hp.com/go/proactiveinsightexperience)

#### Parts and Materials

HP will provide HP-supported replacement parts and materials necessary to maintain the covered hardware product in operating condition, including parts and materials for available and recommended engineering improvements.

Parts and components that have reached their maximum supported lifetime and/or the maximum usage limitations as set forth in the manufacturer's operating manual, product QuickSpecs, or the technical product data sheet will not be provided, repaired, or replaced as part of these services. The defective media retention service feature option applies only to Disk or eligible SSD/Flash Drives replaced by HP due to malfunction.

#### Additional Services

To learn more on HP ProLiant servers and HP BladeSystem, please contact your HP sales

# QuickSpecs

## HP ProLiant MicroServer

---

### Service and Support

**Information**

representative or HP Authorized Channel Partner, or visit: [www.hp.com/services/proliant](http://www.hp.com/services/proliant) or [www.hp.com/services/bladesystem](http://www.hp.com/services/bladesystem)

# QuickSpecs

## HP ProLiant MicroServer

### Models

#### SATA Models

**HP ProLiant MicroServer  
G7 N54L 1P 4GB-U Non-  
hot Plug SATA 150W PS  
Server**  
744900-001

<b>Processor</b>	(1) AMD Turion™ II Neo N54L processor (2.2 GHz, 15W, 2MB)
<b>Cache Memory</b>	2x 1MB Level 2
<b>Memory</b>	4GB (1 x 4GB) PC3-10600E DDR3 UB ECC <b>NOTE: Total of 2 DIMM slots.</b>
<b>Network Controller</b>	Embedded NC107i PCI Express Gigabit Ethernet Server Adapter
<b>Storage Controller</b>	Embedded SATA Controller with Embedded RAID (0, 1)
<b>Hard Drive</b>	None
<b>Internal Storage</b>	Non-Hot Plug SATA 8.0TB (4 x 2TB) Maximum
<b>Optical Drive</b>	None ships standard
<b>Power Supply</b>	150W Non-Hot Plug, Non-Redundant Power Supply
<b>Operating System</b>	None
<b>Warranty</b>	1-0-0
<b>Form Factor</b>	Ultra Micro Tower

# QuickSpecs

## HP ProLiant MicroServer

### Core Options

<b>HP Memory</b>	HP 4GB (1x4GB) Dual Rank x8 PC3-10600 (DDR3-1333) Unbuffered CAS-9 Memory Kit <b>NOTE:</b> All DDR3 memory option kits consist of one DIMM per kit. For detailed memory configuration rules and guidelines, please use the Online DDR3 Memory Configuration Tool: <a href="http://www.hp.com/go/ddr3memory-configurator">www.hp.com/go/ddr3memory-configurator</a> .	593923-B21
<b>HP Optical Drives</b>	HP Half-Height SATA DVD RW JackBlack Optical Drive HP Half-Height SATA DVD ROM JackBlack Optical Drive	624192-B21 624189-B21
<b>HP Hard Drives</b>	<b>NOTE:</b> The components of a storage subsystem (e.g. the drive, the HBA/controller, and the server backplane) should operate at the same data transfer rate or the system bandwidth will be negotiated down to an acceptable level for all components. <b>NOTE:</b> Hard drives have either a one year or three year warranty; refer to the specific hard drive QuickSpecs for details. <b>SATA Non-Hot Plug LFF (3.5-inch) Midline (MDL) Drives</b> HP 2TB 3G SATA 7.2K rpm LFF (3.5-inch) Non-hot Plug Midline 1yr Warranty Hard Drive HP 1TB 3G SATA 7.2K rpm LFF (3.5-inch) Non-hot Plug Midline 1yr Warranty Hard Drive HP 500GB 3G SATA 7.2K rpm LFF (3.5-inch) Non-hot Plug Midline 1yr Warranty Hard Drive <b>NOTE:</b> Please see the QuickSpecs for Technical Specifications and additional information: <a href="http://h18000.www1.hp.com/products/quickspecs/13021_na/13021_na.html">http://h18000.www1.hp.com/products/quickspecs/13021_na/13021_na.html</a>	507774-B21 507772-B21 458941-B21
<b>HP Networking</b>	HP NC112T PCI Express Gigabit Server Adapter <b>NOTE:</b> Please see the QuickSpecs for Technical Specifications and additional information: <a href="http://www.hp.com/go/ProLiantNICs">www.hp.com/go/ProLiantNICs</a>	503746-B21



# QuickSpecs

## HP ProLiant MicroServer

### Additional Options

<b>HP Remote Management</b>	HP MicroServer Remote Access Card Kit	615095-B21
<b>HP Security</b>	<p>HP Trusted Platform Module Option</p> <p><b>NOTE:</b> The TPM (Trusted Platform Module) is a microcontroller chip that can securely store artifacts used to authenticate the server platform. These artifacts can include passwords, certificates and encryption keys. Windows® BitLocker™ Drive Encryption (BitLocker) is a data protection feature available in Windows Server® 2008. BitLocker leverages the enhanced security capabilities of a Trusted Platform Module (TPM) version 1.2. The TPM works with BitLocker to help protect user data and to ensure that a server running Windows Server 2008 has not been tampered with while the system was offline. For more information about TPM, including a white paper, go to: <a href="http://www.hp.com/go/TPM">www.hp.com/go/TPM</a>.</p> <p><b>NOTE:</b> ProLiant OS pre-installed units will come with the partition required for TPM deployment.</p> <p><b>NOTE:</b> The TPM key is unique to every TPM deployed server and must be retained. Misplacing or losing the key could result in data loss.</p>	488069-B21
<b>HP Tape Backup</b>	<p><b>NOTE:</b> For the complete range of tape drives, autoloaders, libraries and media see: <a href="http://www.hp.com/go/tape">http://www.hp.com/go/tape</a>. For hardware and software compatibility of HP tape backup products see: <a href="http://www.hp.com/storage/SPOCK">http://www.hp.com/storage/SPOCK</a>.</p>	
<b>HP Disk Backup</b>	<p><b>NOTE:</b> For the complete range of RDX drives and media see: <a href="http://www.hp.com/go/rdx">http://www.hp.com/go/rdx</a>. For hardware and software compatibility of HP disk backup products see: <a href="http://www.hp.com/storage/SPOCK">http://www.hp.com/storage/SPOCK</a>.</p> <p><b>USB Removable Media RDX Disk Backup Systems</b></p> <p>HP RDX320 USB3.0 Internal Disk Backup System B7B62A</p> <p>HP RDX320 USB3.0 External Disk Backup System B7B63A</p> <p>HP RDX500 USB3.0 Internal Disk Backup System B7B64A</p> <p>HP RDX500 USB3.0 External Disk Backup System B7B66A</p> <p>HP RDX1000 USB3.0 Internal Disk Backup System B7B67A</p> <p>HP RDX1000 USB3.0 External Disk Backup System B7B69A</p> <p><b>HP RDX USB 3.0 Internal Docking Station</b></p> <p>HP RDX USB 3.0 Internal Docking Station C8S06A</p> <p><b>HP RDX USB 3.0 External Docking Station</b></p> <p>HP RDX USB 3.0 External Docking Station C8S07A</p> <p><b>NOTE:</b> Please see the QuickSpecs for additional part numbers, Technical Specifications, and additional information: <a href="http://h18000.www1.hp.com/products/quickspecs/13036_na/13036_na.html">http://h18000.www1.hp.com/products/quickspecs/13036_na/13036_na.html</a></p>	
<b>HP Uninterruptible Power Systems</b>	<p><b>HP DirectFlow Three Phase UPS Power Unit (1U UPS)</b></p> <p><b>NOTE:</b> #0D1 will appear after the part number on the sales order if HP factory integration is indicated.</p> <p>HP R12000 DirectFlow - 1U Rackmount Uninterruptible Power System G9Y75A</p> <p>HP R12000 DirectFlow - POD 1U Rackmount Uninterruptible Power System AF478A</p> <p><b>Input/Output Module Options for 1U UPS</b></p> <p><b>NOTE:</b> Choose one I/O Module per UPS.</p> <p><b>NOTE:</b> #0D1 will appear after the part number on the sales order if HP factory integration is indicated.</p>	

# QuickSpecs

## HP ProLiant MicroServer

### Additional Options

HP 30A 400-415 Volt Three Phase NA R10000 DirectFlow UPS IEC309 Input/Output Module	AF489A
HP 30A 480 Volt Three Phase NA R12000 DirectFlow UPS L22-30 Input/Output Module	AF491A
HP 30A 480 Volt Three Phase NA R12000 DirectFlow UPS IEC309 Input/Output Module	AF492A
HP 30A 400-415 Volt Three Phase NA R12000 DirectFlow UPS IEC309 Input/Output Module	G9Y76A

**NOTE:** All Input/Output Modules support dual output outlets except the AF484A.

#### HP Tower UPS

##### HP T750 G4 UPS Models

HP T750 G4 NA/JP Uninterruptible Power System	J2P85A
---	--------

##### HP T1000 G4 UPS Models

HP T1000 G4 NA/JP Uninterruptible Power System	J2P86A
--	--------

##### HP T1500 G4 UPS Models

HP T1500 G4 NA/JP Uninterruptible Power System	J2P87A
--	--------

#### HP Rack/Tower UPS

##### HP R/T2200 G4 UPS Models

HP R/T2200 G4 NA/JP Uninterruptible Power System	J2R00A
--	--------

##### HP R/T3000 G4 UPS Models

HP R/T3000 G4 Low Voltage NA/JP Uninterruptible Power System	J2R01A
--	--------

HP R/T3000 G4 High Voltage NA/JP Uninterruptible Power System	J2R02A
---	--------

##### HP R1500 G4 Uninterruptible Power Supply (UPS)

HP R1500 G4 NA Uninterruptible Power System	J2Q99A
---	--------

#### HP Tower - UPS

HP T750 G2 750VA NA Tower Uninterruptible Power System	AF446A
--	--------

**NOTE:** For additional information please go to:

<http://www.hp.com/go/rackandpower> (Worldwide)

**NOTE:** Please see QuickSpecs for Technical Specifications and additional information:

[http://h18004.www1.hp.com/products/quickspecs/13160\\_na/13160\\_na.html](http://h18004.www1.hp.com/products/quickspecs/13160_na/13160_na.html)

**NOTE:** For additional information on sizing your server, please reference:

<http://www.upssizer.com>

### HP Rack Options

#### HP LCD8500 1U Rackmount Console Kit Models

HP LCD8500 1U US Rackmount Console Kit	AF630A
--	--------

HP LCD8500 1U US TAA Rackmount Console Kit	AF645A
--	--------

#### HP LCD8500 1U Rackmount Console Kit Options

HP Kit LCD 1.83m Latch Display Port Cable	G7T29A
---	--------

HP Location Discovery Services LCD8500 Kit	TL052A
--	--------

HP Rack LED Light Kit	BW939A
-----------------------	--------

#### HP Server Console Switches

HP 0x1x8 G3 KVM Console Switch	AF651A
--------------------------------	--------

HP 0x2x16 G3 KVM Console Switch	AF652A
---------------------------------	--------

HP TAA 0x2x16 G3 KVM Console Switch	AF653A
-------------------------------------	--------

HP USB Remote Access Key for G3 KVM Console Switches	AF650A
--	--------

#### HP USB Keyboard and Mouse



### Additional Options

HP USB BFR with PVC Free US Keyboard/Mouse Kit 631341-B21

**NOTE:** Please see the QuickSpecs for Technical Specifications and additional information:  
[http://h18000.www1.hp.com/products/quickspecs/13972\\_na/13972\\_na.html](http://h18000.www1.hp.com/products/quickspecs/13972_na/13972_na.html)

#### HP USB and SD options

#### Other USB and SD Options

HP USB Standard Keyboard DT528A ABA DT528A#ABA

#### HP Care Pack Services

#### Foundation Care

HP 3 year Next business day Microserver Foundation Care Service U2EF7E

HP 3 year Next business day with Defective Media Retention MicroserverFoundation Care Service U2EF8E

HP 3 year Next business day with Comprehensive Defective Material Retention Microserver Foundation Care Service U2EF9E

HP 3 year 24x7 Microserver Foundation Care Service U2EG0E

HP 3 year 24x7 with Defective Media Retention Microserver Foundation Care Service U2EG1E

HP 3 year 24x7 with Comprehensive Defective Material Retention Microserver Foundation Care Service U2EG2E

HP 3 year Call to Repair Microserver Foundation Care Service U2EG3E

HP 3 year Call to Repair with Defective Media Retention Microserver Foundation Care Service U2EG4E

HP 3 year CTR with Comprehensive Defective Material Retention Microserver Foundation Care Service U2EG5E

HP 4 year Next business day Microserver Foundation Care Service U2EG6E

HP 4 year Next business day with Defective Media Retention Microserver Foundation Care Service U2EG7E

HP 4 year Next business day wComprehensive Defective Material Retention Microserver Foundation Care SVC U2EG8E

HP 4 year 24x7 Microserver Foundation Care Service U2EG9E

HP 4 year 24x7 with Defective Media Retention Microserver Foundation Care Service U2EH0E

HP 4 year 24x7 with Comprehensive Defective Material Retention Microserver Foundation Care Service U2EH1E

HP 5 year Next business day Microserver Foundation Care Service U2EH2E

HP 5 year Next business day with Defective Media Retention MicroserverFoundation Care Service U2EH3E

HP 5 year Next business day Comprehensive Defective Material Retention Microserver Foundation Care SVC U2EH4E

HP 5 year 24x7 Microserver Foundation Care Service U2EH5E

HP 5 year 24x7 with Defective Media Retention Microserver Foundation Care Service U2EH6E

HP 5 year 24x7 with Comprehensive Defective Material Retention Microserver Foundation Care Service U2EH7E

#### Installation Services

**NOTE:** Reduce the time required to get your system up and running and help minimize disruptions to your business.

HP Install ProLiant MicroServer Service UR508E

**NOTE:** For more information, customer/resellers can contact:  
<http://www.hp.com/services/carepack>.

# QuickSpecs

## HP ProLiant MicroServer

### Memory

#### HP ProLiant Micro Server

##### Standard Memory

4GB (1x4GB) of PC3-10600E DDR3 UDIMM Memory kit installed

##### Standard Memory Replaced with Optional Memory

Up to 8GB of memory is available with the optional installation of 1 x 4 GB PC3-10600E DDR3 UDIMM Memory kits.

**NOTE:** The below chart does not represent all possible memory configurations.

Memory		Slot	
		1A	2B
Optional	1 GB	1 GB	Empty
Optional	2 GB	1 GB	1 GB
Standard	4 GB	4 GB	Empty
Maximum	8 GB	4 GB	4 GB

#### Following are memory options available from HP:

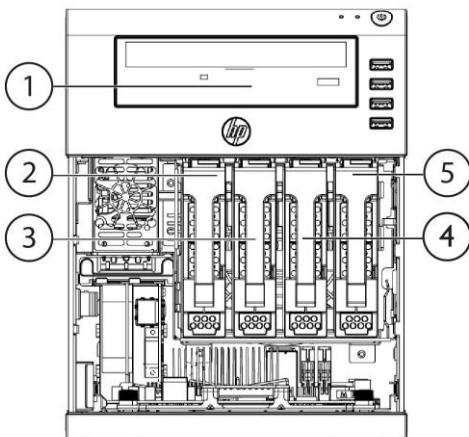
<b>HP Memory</b>	HP 4GB (1x4GB) Dual Rank x8 PC3-10600 (DDR3-1333) Unbuffered CAS-9 Memory Kit	593923-B21
------------------	---	------------

# QuickSpecs

## HP ProLiant MicroServer

### Storage

- 1 Optical Drive Bay
- 2, 3, 4, 5 Four (4) Non-Hot Plug Drive Bays



### Drive Support

	Quantity Supported	Position Supported	Controller
<b>Removable Media</b>			
DVD-RW JackBlack Optical Drive	1	1	Integrated SATA
DVD ROM JackBlack Optical Drive	1	1	Integrated SATA

#### Hard Drives (SATA Models only)

**NOTE:** The components of a storage subsystem (e.g. the drive, the HBA/controller, and the server backplane) should operate at the same data transfer rate or the system bandwidth will be negotiated down to an acceptable level for all components.

**NOTE:** Hard drives have either a one year or three year warranty; refer to the specific hard drive QuickSpecs for details.

#### SATA Non-Hot Plug LFF (3.5-inch) Midline (MDL) Drives

	Quantity Supported	Position Supported	Controller
2TB 3G SATA 7.2K 1TB 3G SATA 7.2K 500GB 3G SATA 7.2K	Up to 4	2-5	SATA controller with Embedded RAID on Motherboard (0,1)

#### Maximum Storage Capacity

<b>Internal</b>	<b>SATA</b>	8.0TB (4 x 2TB)
-----------------	-------------	-----------------

#### Tape Drives and Disk-Based Backup

**NOTE:** For the complete range of tape drives, autoloaders, libraries and media, including the internal fitting models, see: <http://www.hp.com/go/tape>. For the complete range of D2D Backup Systems see: <http://www.hp.com/go/d2d>. For the complete range of RDX drives and media see: <http://www.hp.com/go/rdx>. For hardware and software compatibility of HP disk and tape backup products see: <http://www.hp.com/storage/SPOCK>.

Position	Recommended Controller	Part Number
----------	------------------------	-------------

# QuickSpecs

## HP ProLiant MicroServer

---

### Storage

**HP USB RDX Removable  
Disk Backup System**

RDX160  
RDX320

Internal or  
External

USB 2.0 port

N/A

# QuickSpecs

## HP ProLiant MicroServer

### Power Specifications

<b>Part Number</b>	630295-001					
<b>Operational Input Voltage Range (Vrms)</b>	100 to 127 and 200 to 240 V auto ranging					
<b>Frequency Range (Nominal) (Hz)</b>	50 to 60 Hz					
Nominal Input Voltage (Vrms)	<b>100</b>	<b>115</b>	<b>208</b>	<b>220</b>	<b>230</b>	<b>240</b>
Max Rated Output Wattage Rating	150	150	150	150	150	150
Nominal Input Current (A rms)	N/A	3.5	N/A	2	2	N/A
Max Rated Input Wattage Rating (Watts)	191.4	N/A	N/A	N/A	184.9	N/A
Max. Rated VA (Volt-Amp)	N/A	N/A	N/A	N/A	N/A	N/A
Efficiency (%)	70%	70%	N/A	N/A	70%	N/A
Power Factor	N/A	0.9	N/A	N/A	0.9	N/A
Leakage Current (mA)	N/A	3.5	N/A	N/A	3.5	N/A
Maximum Inrush Current (A peak)	N/A	No component was damaged and input fuse shall not blow	N/A	N/A	No component was damaged and input fuse shall not blow	N/A
Maximum Inrush Current duration (mS)	N/A	N/A	N/A	N/A	N/A	N/A

To review typical system power ratings use the Active Answers HP Power Advisor which is available via the online tool located at URL: <http://www.hp.com/go/hppoweradvisor>

To drill down to calculators:

- Click on: "ProLiant Servers"
- Click on the Server of interest
- Click on: "Power Calculator" link. (You may need to scroll down to see it)

# QuickSpecs

## HP ProLiant MicroServer

### System Specifications

	<b>Power**</b>
<b>HP ProLiant MicroServer Fully Configured</b>	(see**)
Fully Loaded System output Wattage (W)	72.3 W
Fully Loaded System Input Current (A rms)	0.63A@115V; 0.35A@230V
Fully Loaded System Thermal (BTU- Hr)	115v@247.055; 230v@274.505
Fully Loaded System VA (Volt-Amp)	115v@72.45; 230v@80.5
System Leakage with all power supplies loaded (mA)	0.91
System Inrush Current with all power supplies loaded (A)	No component damaged
Power cord requirements	Nema 5-15P to IEC320-C13
	IEC320-C13 to IEC320-C14
	**Power shown is for a fully configured system consisting of (1) CPU, (2) double-sided DIMMs, (4) HDDs, (1) DVD-ROM, (1) PCIe X16 card & (1) PCIe X1 card and (1) power supply.

<b>Power Cord Part Number</b>	121565-001
-------------------------------	------------



# QuickSpecs

## HP ProLiant MicroServer

### Technical Specifications

<b>System Unit</b>	<b>Dimensions</b> (HxWxD) (with feet)	10.5 x 8.3 x 10.2 in (26.7x 21.0 x 26.0 cm)		
	<b>Weight</b> (approximate)	Maximum (all hard drives, power supplies, and processors installed)	21.16 lb (9.6 kg)	
		Minimum (one hard drive, power supply, and processor installed)	13.18 lb (5.98 kg)	
	<b>Input Requirements</b> (per power supply)	Rated Line Voltage	100 -- 127 VAC, 200 - 240 VAC	
		Rated Input Current	3.5 A (at 110 VAC), 2 A (at 200 VAC)	
		Rated Input Frequency	47 to 63 Hz	
		Rated Input Power	191.4 W (at 100 VAC), 184.9 W (at 200 VAC)	
	<b>BTU Rating</b>	Maximum	247.055 BTU/hr (at 100 VAC), 274.505 BTU/hr (at 200 VAC)	
	<b>Power Specifications</b>	To review typical system power ratings use the Power Advisor which is available via the online tool located at URL: <a href="http://www.hp.com/go/hppoweradvisor">http://www.hp.com/go/hppoweradvisor</a>		
	<b>Power Supply Output</b> (per power supply)	Rated Steady-State Power	150 W (at 100 VAC), 150 W (at 200 VAC)	
		Maximum Peak Power	200 W (at 100 VAC), 200 W (at 200 VAC)	
	<b>System Inlet Temperature</b>	Operating	10° to 35°C (50° to 95°F) at sea level with an altitude derating of 1.0°C per every 305 m (1.8°F per every 1000 ft) above sea level to a maximum of 3050 m (10,000 ft), no direct sustained sunlight. Maximum rate of change is 10°C/hr (18°F/hr). The upper limit may be limited by the type and number of options installed. System performance may be reduced if operating with a fan fault or above 35°C (95°F).	
		Non-operating	10 to 90% relative humidity (Rh), 28°C 5 to 95% relative humidity (Rh), 38.7°C	
	<b>Altitude</b>	Operating	3050 m (10,000 ft). This value may be limited by the type and number of options installed. Maximum allowable altitude change rate is 457 m/min (1500 ft/min).	
		Non-operating	9144 m (30,000 ft). Maximum allowable altitude change rate is 457 m/min (1500 ft/min).	
	<b>Acoustic Noise</b> (Fully Loaded)	Idle	L WAd	3.9 BELS
			L pAm	22.3 dBA
		Operating	L WAd	4.1 BELS

# QuickSpecs

## HP ProLiant MicroServer

### Technical Specifications

<b>Acoustic Noise</b> (Lightly Loaded)	Idle	L pAm	24.4 dBA
		L WAd	3.7 BELS
	Operating	L pAm	21.3 dBA
		L WAd	3.8 BELS
		L pAm	22.0 dBA
		L WAd	3.8 BELS
<b>Emissions Classification</b> (EMC)	FCC Rating	Class B	
	Normative Standards	CISPR 22; EN55022; EN55024; FCC CFR 47, Pt 15; ICES-003; CNS13438; GB9254; K22;K24; EN 61000-3-2; EN 61000-3-3; EN 60950-1; IEC 60950-1	

**NOTE:** Product conformance to cited product specifications is based on sample (type) testing, evaluation, or assessment. This product or family of products is eligible to bear the appropriate compliance logos and statements.

<b>Embedded SATA controller</b>	<b>SATA Protocol</b>	SATA 2, 3Gb/s	
	<b>SATA Ports</b>	5 internal	
	<b>Port transfer rate</b>	3Gb/s total	
	<b>Maximum Capacity</b>	up to 8.0TB (4 x 2TB non-hot plug SATA HDD)	
	<b>RAID Levels Supported</b>	RAID 1 (Mirroring) RAID 0 (Striping)	
	<b>Logical RAID Volumes Supported</b>	<b>NOTE:</b> On SATA models with embedded RAID, setup instructions are located in the MicroServer User Guide	

<b>Embedded NC107i PCIe Gigabit Server Adapter</b>	<b>Network Interface Compatibility</b>	10Base-T/100Base-TX/1000Base-TX		
		IEEE 802.3 10Base-T		
		IEEE 802.3ab 1000Base-T		
	<b>Data Transfer Method Controller</b>	IEEE 802.3u 100Base-TX		
		Single lane (x1), 100MHz PCI Express Reference Clock		
	<b>Network Transfer Rate</b>	BCM5723		
		10Base-T (Half-Duplex)	10 Mb/s	
		10Base-T (Full-Duplex)	20 Mb/s	
		100Base-TX (Half-Duplex)	100 Mb/s	
		100Base-TX (Full-Duplex)	200 Mb/s	
1000Base-TX (Half and Full-Duplex)		2000Mb/s		
<b>Connector</b>	RJ-45 connector			
<b>Cable Support</b>	10Base-T	Categories 3, 4 or 5 UTP; up to 328 ft (100 m)		
	10/100/1000Base-TX	Category 5 UTP; up to 328 ft (100 m)		

<b>Environment-friendly Products and Approach</b>	<b>End-of-life Management and Recycling</b>	Hewlett-Packard offers end-of-life HP product return, trade-in, and recycling programs in many geographic areas. For trade-in information, please go to: <a href="http://www.hp.com/go/green">http://www.hp.com/go/green</a> . To recycle your product, please go to: <a href="http://www.hp.com/go/green">http://www.hp.com/go/green</a> or contact your nearest HP sales office. Products returned to HP will be recycled, recovered or disposed of in a responsible manner.
---	---	--

# QuickSpecs

## HP ProLiant MicroServer

---

### Technical Specifications

The EU WEEE directive (2002/95/EC) requires manufacturers to provide treatment information for each product type for use by treatment facilities. This information (product disassembly instructions) is posted on the Hewlett Packard web site at: <http://www.hp.com/go/green>. These instructions may be used by recyclers and other WEEE treatment facilities as well as HP OEM customers who integrate and re-sell HP equipment.

---

# QuickSpecs

## HP ProLiant MicroServer

### Summary of Changes

Date	Version History	Action	Description of Change
09-Feb-2015	From Version 27 to 28	Added	New Hard Drives, DirectFlow UPS, Rack and Tower G4 Models, LCD8500 1U Rackmount Models and Options were added to the Additional Options section.
		Changed	HP Uninterruptible Power Systems, HP Rack Options, and HP Care Pack Services in Additional Options section were revised.
01-Dec-2014	From Version 26 to 27	Removed	Support services were removed from HP Care Pack Services.
01-Nov-2014	From Version 25 to 26	Changed	Service and Support section was revised.
08-Jul-2014	From Version 24 to 25	Removed	Europe Country Code Key was removed from SATA Models. HP Wireless 802.11 b/g/n PCIe Card was removed from HP Unique Options in Core Options.
18-Apr-2014	From Version 23 to 24	Changed	Service and Support, Recommended Services, and Optional Services were revised.
31-Mar-2014	From Version 22 to 23	Removed	HP ProLiant MicroServer G7 N54L 1P 4GB-U Non-hot Plug SATA 150W PS Server and HP ProLiant MicroServer G7 N54L 1P 2GB-U Non-hot Plug SATA 250GB 150W PS Server were removed from Models HP 1GB Single Rank x8 PC3-10600 (DDR3-1333) Unbuffered CAS-9 Memory Kit was removed from Memory
09-Dec-2013	From Version 21 to 22	Changed	HP ProLiant MicroServer G7 N54L 1P 48GB-U Non-Hot Plug SATA 150W PS Server was added HP 2GB Dual Rank Unbuffered Memory Kit was removed from Memory HP Half-Height SATA DVD-ROM Optical Drive was removed from Optical Drives SATA Non-Hot Plug LFF Entry Drives was removed from Hard Drives HP Disk Backup was revised in Additional Options

© Copyright 2015 Hewlett-Packard Development Company, L.P.

The information contained herein is subject to change without notice.

Microsoft and Windows NT are US registered trademarks of Microsoft Corporation.

AMD, the AMD Arrow logo, AMD Opteron™, and combinations thereof, are trademarks of Advanced Micro Devices, Inc.

The only warranties for HP products and services are set forth in the express warranty statements accompanying such products and services. Nothing herein should be construed as constituting an additional warranty. HP shall not be liable for technical or editorial errors or omissions contained herein.

For hard drives, 1GB = 1 billion bytes. Actual formatted capacity is less.