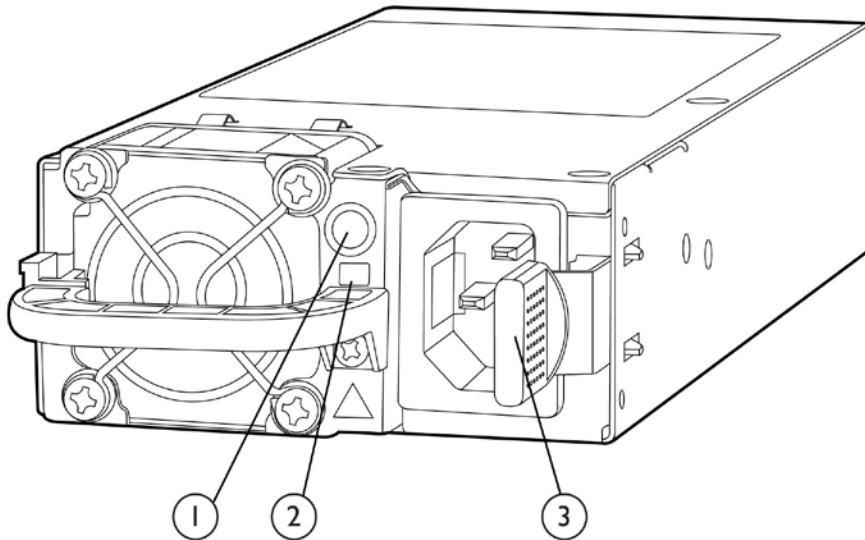


### Overview

### HPE Multi-Output Power Supplies

HPE Multi-Output Power Supplies provide lower-cost options for customers trying to balance their need for enterprise class efficiency and reliability while maintaining lowest possible hardware costs. Some Multi-Output options are designed specifically for an HPE server, while some options are compatible with multiple Hewlett Packard Enterprise servers.

The new HPE 500W Platinum FIO Power Supply, designed for the HPE ProLiant DL160 Gen8 server, provides the highest level of power efficiency (92%) recognized in the IT industry. Certified Platinum by 80Plus and EPRI, the 500W Power Supply was also designed using the same specification levels for Power Factor (PF) and Total Harmonic Distortion (THD) as HPE Common Slot Power Supplies. With tool-less accessibility that makes serviceability fast and easy, the 500W Platinum FIO Power Supply combines best-in-class features for efficiency, reliability, and serviceability with an entry-level price.



**HPE 500W Platinum FIO Power Supply with Backplane**

- 1. Power LED
- 2. Front-Side Revision Control Label
- 3. Quick-Release Lever

### Models

#### HPE Multi-Output Power Supplies

#### HPE Multi-Output Platinum Power Supplies

HP 500W Platinum Factory Integrated Power Supply Kit with Backplane

656365-B21

**NOTE:** For use with the HPE ProLiant DL160 Gen8.

## Standard Features

### 500W Platinum FIO Power Supply

#### High Efficiency

Platinum certified 80 Plus power efficiency rating, up to 92% efficiency, reduces operating expenses and trapped power in the data center.

#### Enterprise Reliability

Designed, tested, and certified to the same operating specifications as HPE Common Slot power supplies.

#### Improved Serviceability

Tool-less insertion/removal of power supply for fast and easy access.

### 80Plus Certification

The 80PLUS test protocol was developed jointly by Ecos Plug Load Solutions and the Electric Power Research Institute (EPRI) in 2003, with the program being formally launched in 2004.

The 80 PLUS performance specification requires power supplies in servers to be 80% or greater energy efficient at 20%, 50% and 100% of rated load with a true power factor of 0.9 or greater. This makes an 80 PLUS certified power supply substantially more efficient than typical power supplies found in many other electrical devices.

#### Who benefits from the 80PLUS power supply program?

- Commercial/Residential Consumers - empowered with information regarding energy efficient IT options that help them cut energy costs and reduce their environmental impact
- Utility/Power Providers - participation in a program that focuses on reducing power demands on overburdened grids as well as reducing power waste and its associated environmental impact

#### What are the efficiency requirements for each certification level?

80 PLUS Certification	115V Internal		
	20%	50%	100%
80 PLUS	80%	80%	80%
80 PLUS Bronze	82%	85%	82%
80 PLUS Silver	85%	88%	85%
80 PLUS Gold	87%	90%	87%
80 PLUS Platinum	90%	92%	89%

#### What level of certification do HPE Multi-Output Power Supplies meet?

Hewlett Packard Enterprise offers multiple Multi-Output Power Supplies that meet various 80PLUS levels of certification, from Gold to Platinum. HPE's new 500W Platinum FIO Power Supply meets 80PLUS requirements for Platinum certification. To review 80Plus certification reports for each HPE Power Supply, please refer to the 80Plus website at: <http://www.80plus.com>.

**NOTE:** Only AC Power Supplies are tested/certified by the 80PLUS program; DC power supplies are tested by HPE for efficiency ratings.

### Compatibility

To check for power supply compatibility with specific HPE ProLiant servers, use the HPE ProLiant Options Compatibility Guide located at: <http://www.hpproliantoptions.com>. For compatibility with specific HPE Integrity servers and HPE Storage solutions, please review the appropriate QuickSpecs for those products.

---

## Service and Support

### Service and Support

#### **HPE Technology Services**

HPE Technology Services offers you consultants and support experts to solve your most complex infrastructure problems. We help keep your business running, boost availability, and avoid downtime.

#### **Protect your business beyond warranty with HPE Pointnext operational services**

When you buy HPE Options, it's also a good time to think about what level of service you may need. HPE Pointnext operational services provide total care and support expertise with committed response choices designed to meet your IT and business need.

HPE Foundation Care services deliver scalable support-packages for Hewlett Packard Enterprise industry-standard servers and software. You can choose the type and level of service that is most suitable for your business needs. New to this portfolio is HPE Collaborative Support. If you are running business critical environments, Hewlett Packard Enterprise offers Proactive Care or Critical Advantage. These services help you deliver high levels of application availability through proactive service management and advanced technical response.

Here is the support service recommendation from the Foundation Care and Proactive Care portfolio. For customized support service solution, Hewlett Packard Enterprise can work with you to tailor a service solution for your unique support requirements using broader services portfolio of Foundation Care and Proactive Care.

---

## Recommended HPE Pointnext operational services for optimal satisfaction with your HPE product

### Recommended Services

#### **3-Year HPE 24x7 4 hour Response, Hardware Support Onsite Service**

Provides you with rapid remote support and if required a Hewlett Packard Enterprise Authorized representative who will arrive on site any time and day of the year to begin hardware maintenance service within 4 hours of the service request being logged.

<https://www.hpe.com/h20195/V2/GetPDF.aspx/5982-6547EEE.pdf>

OR

#### **3-Year HPE 24x7 4 hour Response, HPE Collaborative Support**

Offers customers a single point of contact for server problem diagnosis, hardware problem resolution, and basic software problem diagnosis, fault isolation, and resolution if available to HPE. If the problem is with HPE HW, the representative will arrive on site any time and day of the year to begin hardware maintenance service within 4 hours of the service request being logged. In case, the issue is with HPE or supported third-party software product and cannot be resolved by applying known fixes, Hewlett Packard Enterprise will contact the third-party vendor and create a problem incident on your behalf.

<https://www.hpe.com/h20195/V2/GetPDF.aspx/4AA3-8232ENW.pdf>

#### **HPE ProLiant Server Hardware Installation**

Provides for the basic hardware installation of Hewlett Packard Enterprise branded servers, storage devices and networking options to assist you in bringing your new hardware into operation in a timely and professional manner

<https://www.hpe.com/h20195/V2/GetPDF.aspx/5981-9356EN.pdf>

---

## Related HPE Pointnext operational services to enhance your HPE product experience

### Related Services

#### **3-Year HPE 24x7 4 hour Response, Proactive Care**

Helps optimize your systems and delivers high levels of application availability through proactive service management and advanced technical response. A skilled Technical Manager will own your query or issue end to end until resolved, delivering a single point of contact for you

## Service and Support

OR

### 3-Year HPE 6-hour Onsite Call-to-Repair, HPE Collaborative Support

Offers customers a single point of contact for server problem diagnosis, hardware problem resolution to return the hardware in operating condition within 6 hours of the initial service request to the HPE Global Solution Center, and basic software problem diagnosis, fault isolation, and resolution if available to HPE. <https://www.hpe.com/h20195/V2/GetPDF.aspx/4AA3-8232ENW.pdf>

### HPE Proactive Select Service

Provides a flexible way to purchase HPE best-in-class consultancy and technical services. You can buy Proactive Select Service Credits when you purchase your hardware and then use the credits over the next 12 months. <https://www.hpe.com/h20195/V2/GetPDF.aspx/4AA2-3842ENN.pdf>

---

**Insight Remote Support** Provides 24 X 7 remote monitoring, proactive notifications, and problem resolution. Learn more <http://www.hp.com/go/insightremotesupport>

---

**HPE Support Center** Personalized online support portal with access to information, tools and experts to support Hewlett Packard Enterprise business products. Submit support cases online, chat with HPE experts, access support resources or collaborate with peers. Learn more <http://www.hp.com/go/hpsc>

The HPE Support Center Mobile App\* allows you to resolve issues yourself or quickly connect to an agent for live support. Now, you can get access to personalized IT support anywhere, anytime. HPE Insight Remote Support and HPE Support Center are available at no additional cost with a HPE warranty, HPE Care Pack or Hewlett Packard Enterprise contractual support agreement.

\*The Hewlett Packard Enterprise Support Center Mobile App is subject to local availability

---

**Parts and materials** Hewlett Packard Enterprise will provide HPE-supported replacement parts and materials necessary to maintain the covered hardware product in operating condition, including parts and materials for available and recommended engineering improvements.

Parts and components that have reached their maximum supported lifetime and/or the maximum usage limitations as set forth in the manufacturer's operating manual, product QuickSpecs, or the technical product data sheet will not be provided, repaired, or replaced as part of these services.

The defective media retention service feature option applies only to Disk or eligible SSD/Flash Drives replaced by HPE due to malfunction.

---

**Warranty / Service Coverage** For ProLiant servers and storage systems, this service covers HPE-branded hardware options qualified for the server, purchased at the same time or afterward, internal to the enclosure, as well as external monitors up to 22" and tower UPS products; these items will be covered at the same service level and for the same coverage period as the server unless the maximum supported lifetime and/or the maximum usage limitation has been exceeded. Coverage of the UPS battery is not included; standard warranty terms and conditions apply.

The defective media retention service feature option applies only to Disk or eligible SSD/Flash Drives replaced by HPE due to malfunction. It does not apply to any exchange of Disk or SSD/Flash Drives that have not failed. SSD/Flash Drives that are specified by HPE as consumable parts and/or that have exceeded maximum supported lifetime and/or the maximum usage limit as set forth in the manufacturer's operating manual or the technical data sheet are not eligible for the defective media retention service feature option.

---

**For more information** To learn more on services for HPE ESSN Options, please contact your Hewlett Packard Enterprise sales representative or Hewlett Packard Enterprise Authorized Channel Partner. Or visit: <http://www.hp.com/services/proliant> or <http://www.hp.com/services/bladesystem>

## Related Options

### Related Options

<b>Other HPE Multi-Output Power Supplies</b>	HP 365W Redundant Power Supply Kit w/ Backplane	532092-B21
<b>VAC C13 to C14 Power Cables</b>	HPE C13 - C14 WW 250V 10A Gray 0.7m Jumper Cord	A0K03A
	HPE C13 - C14 WW 250V 10A Gray 1.37m Jumper Cord	A0K04A
	HP 1U 100-pack Universal Filler Panel	AF073A
	HPE C13 - C14 WW 250V 10A Gray 3.0m Jumper Cord	A0K06A
	HPE C13 - C14 WW 250V 10Amp 0.7m Jumper Cord	142257-B28
	HPE C13 - C14 WW 250V 10Amp 1.4m Jumper Cord	142257-006
	HPE C13 - C14 WW 250V 10Amp 1.4m 15 pc Jumper Cord	142257-007
	HPE C13 - C14 WW 250V 10Amp 2.0m Jumper Cord	A0K02A
	HPE C13 - C14 WW 250V 10Amp 2.5m Jumper Cord	142257-002
	HPE C13 - C14 WW 250V 10Amp 3.0m Jumper Cord	142257-003

**NOTE:** Standard power cables and jumpers do not support Power Line Communications or Intelligent Power Discovery.

## Power Specifications

HPE 500W Factory Integrated Power Supply Kit with Backplane							
<b>Part Number</b>	656365-B21						
	671797-001						
<b>Input Voltage Range (V rms)</b>	100-120/200-240						
<b>Frequency Range (Nominal) (Hz)</b>	50 / 60						
<b>Nominal Input Voltage (Vrms)</b>	<b>100</b>	<b>115</b>	<b>120</b>	<b>200</b>	<b>208</b>	<b>230</b>	<b>240</b>
Maximum Rated Output Wattage Rating	500	500	500	500	500	500	500
Nominal Input Current (A rms)	5.7	4.9	4.7	2.8	2.6	2.4	2.3
Maximum Rated Input Wattage Rating (Watts)	562	557	555	544	544	543	542
Maximum Rated VA (Volt-Amp)	569	563	561	551	550	549	549
Efficiency (%)	88.94	89.84	90.07	91.90	91.99	92.16	92.24
Power Factor	1.000	1.000	1.000	0.999	0.999	0.999	0.999
Leakage Current (mA)	0.43	0.50	0.50	0.83	0.87	0.96	1.00
Maximum Inrush Current (A peak)	30						
Maximum Inrush Current duration (mS)	20						
Maximum British Thermal Unit Rating (BTU-Hr)	1918	1899	1894	1856	1855	1851	1849

HPE 365W Hot Plug Redundant Power Supply Kit with Backplane							
<b>Part Number</b>	532092-B21						
	100 to 240						
<b>Input Voltage Range (V rms)</b>	100 to 240						
<b>Frequency Range (Nominal) (Hz)</b>	50/60						
<b>Nominal Input Voltage (Vrms)</b>	<b>100</b>	<b>120</b>	<b>200</b>	<b>208</b>	<b>220</b>	<b>230</b>	<b>240</b>
Maximum Rated Output Wattage Rating	320	320	360	360	360	360	360
Nominal Input Current (A rms)	4.15	3.41	2.23	2.16	2.03	1.94	1.86
Maximum Rated Input Wattage Rating (Watts)	412	406	445	445	444	443	443
Maximum Rated VA (Volt-Amp)	413	407	447	447	446	446	445
Efficiency (%)	77.4	78.5	80.5	80.6	80.7	80.8	81.0
Power Factor	0.99						
Leakage Current (mA)	0.75	0.75	0.85	0.90	0.95	0.95	1.00
Maximum Inrush Current (A peak)	35						
Maximum Inrush Current duration (mS)	20						
Maximum British Thermal Unit Rating (BTU-Hr)	1354	1334	1462	1462	1459	1456	1456

## Technical Specifications

### HPE 500W Platinum FIO Power Supply:

Operating Temperature	41° to 122°F (5° to 50°C)
Operating Relative Humidity (%)	5% to 95%, non-condensing
Operating Elevation	0 to 5,000ft (1,524m) with no derating; Maximum inlet air temperature linearly de-rated from 50C at 5,000 feet (1,524m) above sea level to 40C at 10,000 feet (3,048m) above sea level
Storage Temperature	41° to 122°F (5 to 50°C)
Storage Relative Humidity (%)	5% to 95%, non-condensing
Storage Elevation	0 to 50,000ft (0 to 15,240m)
Input Voltage	
Low Line	Rated: 100V - 120V; Min 90V to Max 132V
High Line	Rated: 200 - 240V; Min 180V to Max 264V
Input Frequency	Rated: 50 to 60Hz; Min 47Hz to Max 63Hz
Conformance Standards	CE Mark, UL, CSA, IEC, EN, CNS, KCC, BSMI, CCC, C-tick, TUV, FCC Class A
Mechanical Dimensions (WxHxD)	3.39 x 1.57 x 9.69 in (8.6 x 4 x 24.6 cm)
Unit Weight	3 lbs (1.36 kg)
Kit Contents	Factory integrated 500W power supply including power backplane and single IEC C13-C14 jumper cable

### HPE 500W (Gold) FIO Power Supply:

Operating Temperature	41° to 122°F (5° to 50°C)
Operating Relative Humidity (%)	5% to 95%, non-condensing
Operating Elevation	0 to 5,000ft (1,524m) with no de-rating; Maximum inlet air temperature linearly de-rated from 50°C at 5,000 feet above sea level to 40°C at 10,000 feet above sea level
Storage Temperature	-40° to 185°F (-40° to 85°C)
Storage Relative Humidity (%)	5% to 95%, non-condensing
Storage Elevation	0 to 50,000ft (0 to 15,240m)
Input Voltage	
Low Line	Rated: 100 - 120V; Min 90V to Max 132V
High Line	Rated: 220 - 240V; Min 180V to Max 264V
Input Frequency	Rated: 50 to 60Hz; Min 47Hz to Max 63Hz
Conformance Standards	CE Mark, UL, CSA, IEC, EN, CNS, BSMI, CCC, C-tick, TUV, FCC Class A
Mechanical Dimensions (WxHxD)	3.4 x 1.57 x 11 in (8.6 x 4 x 28 cm)
Unit Weight	3 lb (1.36 kg)
Kit Contents	Factory integrated 500W AC power supply including power backplane (DL320 G6 only) and single IEC C13-C14 jumper cable

### HPE 365W Redundant Power Supply Kit:

Operating Temperature	41° to 104°F (5° to 40°C)
Operating Relative Humidity (%)	Up to 85% (non-condensing)
Operating Elevation	0 to 5,000ft (1,524m) with no de-rating
Storage Temperature	-40° to 158°F (-40° to 70°C)
Storage Relative Humidity (%)	Up to 95% (non-condensing)
Storage Elevation	0 to 50,000ft (0 to 15,240m)
Input Voltage	
Low Line	100 - 127 VAC
High Line	200 - 240 VAC
Input Frequency	Rated: 50 to 60Hz

## Technical Specifications

Conformance Standards	CE Mark, UL, CSA, IEC, EN, CNS, BSMI, CCC, C-tick, TUV, FCC Class A
Mechanical Dimensions (WxHxD)	3.75 x 1.6 x 14 in (9.5 x 4.1 x 35.6 cm)
Unit Weight	4.7 lb (2.13 kg)
Kit Contents	Factory integrated power supply unit including (2) 365W AC power supplies, (1) power backplane, and (2) IEC C13-C14 jumper cable

<b>Environment-friendly Products and Approach</b>	<b>End-of-life Management and Recycling</b>	Hewlett Packard Enterprise offers end-of-life product return, trade-in, and recycling programs, in many geographic areas, for our products. Products returned to Hewlett Packard Enterprise will be recycled, recovered or disposed of in a responsible manner.
---	---	---

**[http://www8.hp.com/us/en/hpe/hp-information/livingprogress/environmentalprogress/product-recycling.html#.V-IPA\\_krKiM](http://www8.hp.com/us/en/hpe/hp-information/livingprogress/environmentalprogress/product-recycling.html#.V-IPA_krKiM)**

The EU WEEE directive (2002/95/EC) requires manufacturers to provide treatment information for each product type for use by treatment facilities. This information (product disassembly instructions) is posted on the Hewlett Packard Enterprise web site. These instructions may be used by recyclers and other WEEE treatment facilities as well as HPE OEM customers who integrate and re-sell Hewlett Packard Enterprise equipment.

**[http://www8.hp.com/us/en/hpe/hp-information/livingprogress/environmentalprogress/product-recycling.html#.V-IPA\\_krKiM](http://www8.hp.com/us/en/hpe/hp-information/livingprogress/environmentalprogress/product-recycling.html#.V-IPA_krKiM)**



## Summary of Changes

Date	Version History	Action	Description of Change
23-Oct-2017	Version 4	Changed	Care Pack naming and Service and Support- Parts and Materials updated.
07-Oct-2016	From Version 2 to 3	Changed	QuickSpecs was rebranded.
19-Feb-2013	From Version 1 to 2	Changed	Changes made to the Overview Section and Power Specifications section.



**Sign up for updates**



**Hewlett Packard  
Enterprise**

© Copyright 2017 Hewlett Packard Enterprise Development LP. The information contained herein is subject to change without notice. The only warranties for Hewlett Packard Enterprise products and services are set forth in the express warranty statements accompanying such products and services. Nothing herein should be construed as constituting an additional warranty. Hewlett Packard Enterprise shall not be liable for technical or editorial errors or omissions contained herein.

c04111524 - 14283 - Worldwide - V4 - 23-October-2017