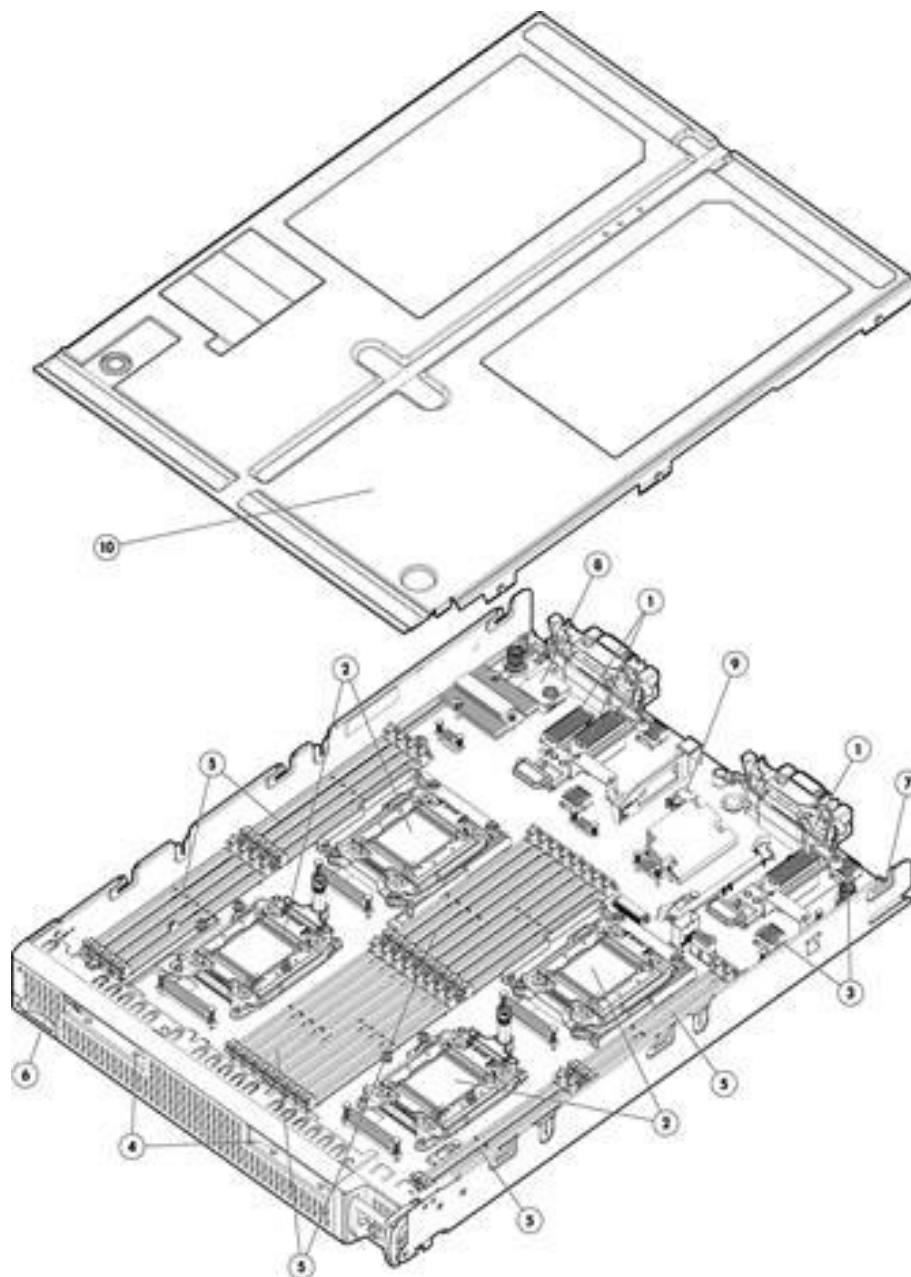


QuickSpecs

HPE ProLiant BL660c Gen8 Server Blade

Overview

HPE ProLiant BL660c Gen8 Server Blade



HPE ProLiant BL660c Gen8 Server Blade

- | | |
|---|---|
| 1. Three (3) PCIe 3.0 mezzanine I/O expansion slots | 6. HPE c-Class Blade SUV (Serial, USB, VGA) connector |
| 2. Up to four (4) Intel® Xeon® E5-4600 and E5-4600v2 families of processors | 7. MicroSDHC card connector |
| 3. Two FlexibleLOM connectors | 8. Trusted Platform Module (TPM) connector |
| 4. Two (2) small form factor (SFF) hot-plug drive bays | 9. Internal USB 2.0 connector |
| 5. Thirty-two (32) DDR3 DIMM memory slots (8 per processor) | 10. Access panel |

QuickSpecs

Overview

What's New

- Support for the Intel® Xeon® processor E5-4600v2 product family
- Support for DDR3-1600 1.35V memory.
- Support for DDR3-1866 1.5V memory.
- Support for 12G SAS High Endurance Hot Plug SFF (2.5-inch) Enterprise Performance and Enterprise Mainstream Solid State Drives

QuickSpecs

Standard Features

NOTE: This document covers the HPE ProLiant BL660c Gen8 server blade only. For information on HPE BladeSystems c-Class Enclosures and HPE BladeSystem c-Class interconnect and mezzanine options, please see the following:

HPE BladeSystem c-Class Enclosures QuickSpecs:

- HPE BladeSystem c3000 Enclosure QuickSpecs at http://h18000.www1.hp.com/products/QuickSpecs/12790_div/12790_div.html
NOTE: The c3000 HPE c-Class enclosures have full backwards and forwards compatibility, existing server blades are supported in the new enclosures and any future server blades will be supported in the existing enclosures.
NOTE: The ProLiant BL660c Gen8 requires the c3000 Enclosure to be configured with 6 fans.
- HPE BladeSystem c7000 Enclosure QuickSpecs at http://h18000.www1.hp.com/products/QuickSpecs/12810_div/12810_div.html
NOTE: The c7000 HPE c-Class enclosures have full backwards and forwards compatibility, existing server blades are supported in the new enclosures and any future server blades will be supported in the existing enclosures.
NOTE: The ProLiant BL660c Gen8 requires the c7000 Enclosure to be configured with 10 fans.
- HPE BladeSystem c-Class interconnect and mezzanine options at <http://h18004.www1.hp.com/products/blades/components/c-class-interconnects.html>
<http://h18004.www1.hp.com/products/blades/components/c-class-adapters.html>

NOTE: For proper BladeSystem operation, the minimum required versions of HPE Onboard Administrator and HPE Virtual Connect are required and available via the HPE Service Pack for ProLiant, please see <http://www.hp.com/go/spp/download>.

Processor **E5-4600 v2 series Processors**

One of the following depending on Model HPE BL660c Gen8 E5-4657Lv2 (2.4GHz/12-core/30MB/115W) Processor
HPE BL660c Gen8 E5-4650v2 (2.4GHz/10-core/25MB/95W) Processor
HPE BL660c Gen8 E5-4640v2 (2.2GHz/10-core/20MB/95W) Processor
HPE BL660c Gen8 E5-4627v2 (3.3GHz/8-core/16MB/130W) Processor
HPE BL660c Gen8 E5-4620v2 (2.6GHz/8-core/20MB/95W) Processor
HPE BL660c Gen8 E5-4610v2 (2.3GHz/8-core/16MB/95W) Processor
HPE BL660c Gen8 E5-4607v2 (2.6GHz/6-core/15MB/95W) Processor
HPE BL660c Gen8 E5-4603v2 (2.2GHz/4-core/10MB/95W) Processor

E5-4600 series Processors

Intel® Xeon® E5-4650 (2.7GHz/8-core/20MB/130W) Processor
Intel® Xeon® E5-4650L (2.6GHz/8-core/20MB/115W) Processor
Intel® Xeon® E5-4640 (2.4GHz/8-core/20MB/95W) Processor
Intel® Xeon® E5-4620 (2.2GHz/8-core/16MB/95W) Processor
Intel® Xeon® E5-4617 (2.9GHz/6-core/15MB/130W) Processor
Intel® Xeon® E5-4610 (2.4GHz/6-core/15MB/95W) Processor
Intel® Xeon® E5-4607 (2.2GHz/6-core/12MB/95W) Processor
Intel® Xeon® E5-4603 (2.0GHz/4-core/10MB/95W) Processor

Cache Memory 30MB Level 3

One of the following depending on Model **NOTE:** E5-4657L v2 processor
25MB Level 3
NOTE: E5-4650 v2 processor

QuickSpecs

Standard Features

20MB Level 3

NOTE: E5-4650, E5-4650L, E5-4640, E5-4640 v2, E5-4620 v2 processors

16MB Level 3

NOTE: E5-4620, E5-4627 v2, E5-4610 v2 processors

15MB Level 3

NOTE: E5-4617, E5-4610, E5-4607 v2 processors

12MB Level 3

NOTE: E5-4607 processor

10MB Level 3

NOTE: E5-4603, E5-4603 v2 processors

NOTE: All processor models above list the L3 Cache associated with that particular processor.

Chipset

Intel® C600 Series Chipset

NOTE: For more information regarding Intel chipsets, please see the following:

<http://www.intel.com/products/server/chipsets/>.

Upgradeability

Upgradeable to four (4) processors.

NOTE: Processor upgrade available from Intel® Xeon® Processors E5-4600 to E5-4600 v2. Please contact HPE Technology Sales (<http://www.hp.com/support>), your local Hewlett Packard Enterprise Re-seller, or reference the following Customer Advisory: ProLiant Servers-Instructions for Upgrading an HPE ProLiant Gen8 Server from an Intel Xeon Processor E5-4600 to an Intel Xeon Processor E5-4600 v2, regarding critical details before upgrading. An explanation of requirements and limitations are provided.

On System Management Chipset

HPE iLO (Firmware: HPE iLO 4)

NOTE: For more information, visit: <http://www.hp.com/go/ilo>

Memory Protection

Data bus ECC protection
Advanced ECC / SDDC
Rank sparring (on line spare)
Lockstep mode
DIMM address/control bus parity protection
Failed DIMM isolation
Demand scrubbing
Patrol scrubbing
Memory thermal control
Memory mirroring inter-socket

Memory One of the following depending on Model

Type	HPE SmartMemory DDR3 Load Reduced (LRDIMM) and Registered (RDIMM)
Maximum (LRDIMM)	1.0TB (32 x 32GB) up to 1866MHz at 1.5V
Maximum (RDIMM)	512GB (32 x 16GB) up to 1600MHz at 1.35V 768GB (32 x 24GB) up to 1333MHz at 1.35V

NOTE: HPE memory from previous generation servers are not qualified or warranted with this server.

QuickSpecs

Standard Features

NOTE: HPE SmartMemory is required to realize the memory performance improvements and enhanced functionality listed in this document for Gen8. For additional information, please see the HPE SmartMemory QuickSpecs at:

http://h18000.www1.hp.com/products/QuickSpecs/14225_div/14225_div.html

NOTE: LRDIMMs and RDIMMs are distinct memory technologies and cannot be mixed within a server.

NOTE: Depending on the memory configuration and processor model, the memory speed may run at 1866MHz, 1600MHz, 1333MHz, or 1066MHz. Please see Memory Population Table later in this document or the Online Memory Configuration Tool at: <http://www.hp.com/go/ddr3memory-configurator>.

NOTE: For additional memory rules and guidelines, see the "Memory" section later in this document.

Network Controller

Two (2) HPE FlexibleLOM connectors for one or two dual-port FlexibleLOMs

NOTE: FlexibleLOM options include 10Gb FlexFabric, 10Gb Flex-10, and 10Gb Ethernet.

NOTE: FlexFabric capabilities require the use of an HPE Virtual Connect FlexFabric module. Learn more at: <http://www.hp.com/go/bladeSystem/interconnects>

NOTE: The server supports one or two FlexibleLOMs.

NOTE: For Pre-configured Model configurations, two FlexibleLOMs are already included; no additional FlexibleLOMs are added.

NOTE: For a Factory Integrated Model configuration with one FlexibleLOM, it is added in the HPE Networking section of "Step 2" in the Factory Integrated Models section.

NOTE: For a Factory Integrated Model configuration with two FlexibleLOMs, the second FlexibleLOM is a different part number. You must select the first FlexibleLOM in the "Step 2" HPE Networking section and select the second FlexibleLOM in the "Step 4" HPE Networking section.

NOTE: All FlexibleLOMs are dual port: one port is routed to interconnect module bay 1 and the other to bay 2.

Expansion Slots

Three (3) I/O expansion mezzanine slots:

- x8 PCIe 3.0 Type A (supports Type A mezzanine cards) (expansion slot 1).
- x16 PCIe 3.0 Type B (supports Type A and Type B mezzanine cards) (expansion slot 2).
- x16 PCIe 3.0 Type B (supports Type A and Type B mezzanine cards) (expansion slot 3).

Mezzanine card options include:

- Dual-port to quad-port (depending on the model) 10Gb FlexFabric, 10Gb Flex-10, 10Gb Ethernet, and 1Gb Ethernet for additional Ethernet network ports.
- Dual-port 20Gb Flex Fabric for additional Ethernet network ports.
- Dual-port 8Gb and 16GB Fibre Channel HBAs for SAN connectivity.
- QDR and FDR InfiniBand for low latency and high bandwidth server interconnectivity.
- HPE Smart Array P721m Controller for direct attached SAS Storage
- HPE I/O Accelerator Options for higher I/O performance and low latency access to storage, with the reliability of solid state

HPE Server ROM

HPE ROM (read only memory) is now digitally signed using the Hewlett Packard Enterprise Corporate Signing Service. This signature is verified before the flash process starts, reducing accidental programming and preventing malicious efforts to corrupt system ROM.

HPE ROM provides for essential initialization and validation of hardware components before control is passed to the customer-installed operating system. The ROM also provides the capability of booting from various fixed media (HDD, CD-ROM) and removable media (USB), to continue operation to the operating system. HPE ROM performs very early configuration of the video controller, to allow monitoring of initialization progress via an attached monitor. If configuration or hardware errors are discovered during this early phase of hardware initialization, suitable messages are now displayed on the connected monitor. Additionally, these

QuickSpecs

Standard Features

configuration or hardware errors are logged to the Integrated Management Log (IML) to assist in diagnosis.

The HPE ProLiant ROM is used to configure the following:

- Processor and chipset status registers
- System memory, memory map, and memory initialization
- System hardware configuration (integrated PCI devices and optional PCIe cards).
- Customer-specific BIOS configuration using the HPE ROM-Based Setup Utility (RBSU).

NOTE: For further information, please refer to the HPE RBSU (ROM based setup utility) user guide at <http://www.hp.com/support/rbsu>.

Storage Controller	All Models	One (1) embedded HPE Smart Array P220i Controller NOTE: The HPE Smart Array P220i supports RAID 0 and 1. It includes 512MB flash-backed write cache (FBWC) on pre-configured models and is optional on factory integrated models. The FBWC is not required for RAID capability. The purpose of the cache is it can increase hard drive write performance and provides data protection in case the server losses power. NOTE: The HPE Smart Array P220i supports upgradeable firmware with recovery ROM. NOTE: The HPE Smart Array P220i supports two (2) small form factor (SFF) hot plug drive bays. Available Options: Smart Array Advanced Pack 2.0 Software for enhanced performance, reliability, availability, and security of system data
---------------------------	------------	---

Maximum Internal Storage	Hot Plug SFF SAS	3.2TB	2 x 2.6TB
	Hot Plug SFF SATA	3.2TB	2 x 1.6TB
	Hot Plug SFF SAS SSD	4.0TB	2 x 2.0TB
NOTE: The ProLiant BL660c Gen8 server includes the new HPE hot plug small form factor (SFF) SmartDrive carrier for enhanced management and reduced maintenance errors. HPE drives from previous generation servers are not compatible with the ProLiant BL660c Gen8 drive bays. NOTE: The mixing of standard SAS drives with SAS SSD drives is supported within the server, but limits the RAID configuration to two separate RAID 0 volumes. Mixing of other drives types is not supported.			

Interfaces	Micro SDHC Slot	One (1) internal Micro Secure Digital High Capacity (Micro SDHC) card slot
	USB 2.0 Port	One (1) internal USB 2.0 connector for USB flash media drive keys
NOTE: The above options are for integrated hypervisor virtualization environments needing a low cost boot solution with the highest performance and reliability.		

Industry Standard Compliance	ACPI 2.0
	Microsoft® Logo certifications
	USB 2.0 Support
	IMPI 2.0
	Secure Digital 2.0
	TMP 1.2 Support
IEEE (specific IEEE standards depending on Ethernet adapter card(s) installed)	

QuickSpecs

Standard Features

- Advanced Encryption Standard (AES)
 - Triple Data Encryption Standard (3DES)
 - SNMP
 - SSL 2.0
 - DMTF Systems Management Architecture for Server Hardware Command Line Protocol (SMASH CLP)
 - Active Directory v1.0
 - PCIe 3.0
 - SR-IOV capability (requires network adapter and operating system support)
-

Operating Systems and Virtualization Software Support for ProLiant Servers

- Microsoft Windows Server**
- Red Hat Enterprise Linux (RHEL)**
- SUSE Linux Enterprise Server (SLES)**
- Oracle Solaris**
- VMware**
- Citrix XenServer**

NOTE: For more information on the Hewlett Packard Enterprise Certified and Supported ProLiant Servers for OS and Virtualization Software and latest listing of software drivers available for your server, please visit our Support Matrix at: <http://www.hpe.com/info/ossupport> and our driver download page <http://www.hpe.com/support/BL660cGen8>.

Enclosures

- Enclosures Hewlett Packard Enterprise offers two different c-Class server blade enclosures to meet your individual needs:
- The HPE BladeSystem c7000 rack enclosure is 10U high and holds up to eight (8) ProLiant BL660c Gen8 servers plugged vertically.
 - The HPE BladeSystem c3000 rack enclosure is 6U high and holds up to four (4) HPE ProLiant BL660c Gen8 servers plugged horizontally.
 - Server blades, storage blades, interconnect modules, power supplies, fans, and redundant Onboard Administrator modules are all designed to fit into the c3000 and c7000 enclosures.

NOTE: For additional enclosure information, please see <http://h18004.www1.hp.com/products/blades/components/enclosures/c-class/index.html>.

Graphics

- Integrated Matrox G200 video standard
- 1280 x 1024 (32 bpp)
 - 1920 x 1200 (16 bpp)
- HPE iLO 4 On System Management Memory
- 16 MB Flash
 - 256 MB DDR 3 with ECC (112 MB after ECC and video)
-

Form Factor

HPE ProLiant BL660c Gen8 is a single-wide, full-height server blade that plugs into the HPE BladeSystem c3000 and c7000 enclosures.

On System Management

HPE iLO Management Engine

HPE iLO Management Engine is a comprehensive set of embedded management features supporting the complete lifecycle of the server, from initial deployment, through ongoing management, to service alerting and remote support. HPE iLO Management Engine comes standard on all HPE ProLiant Gen8 servers. The HPE iLO

QuickSpecs

Standard Features

Management Engine portfolio includes:

- **HPE iLO:** The HPE iLO (Integrated Lights-Out) management processor is the core foundation for the HPE iLO Management Engine
- **HPE Agentless Management:** Provides built in server health monitoring and alerting capability without OS agents, that starts working the moment a power cord and an Ethernet cable are connected.
- **HPE Active Health System:** Always on, continuous monitoring for increased stability and shorter downtimes; 100% configuration history; Health and service alerts and easy export and upload to Service and Support.
- **HPE Intelligent Provisioning:** Lets customers provision and configure a single server without any separate media. No more SmartStart CDs or firmware DVDs are needed.
 - To start Intelligent Provisioning:
 - Press the F10 key during the ProLiant Gen8 server boot process (also known as power on self test or POST).
 - Please go to the Intelligent Provisioning website at <http://www.hp.com/go/intelligentprovisioning> for additional information and to view usage videos.
 - Use the Service Pack for ProLiant (SPP) at <http://www.hp.com/go/spp> to get firmware and software updates.
 - **HPE iLO Mobile App:** Enables the ability to access, deploy, and manage your server anytime from anywhere from select smartphones and mobile devices. For additional information please visit: <http://www.hp.com/go/ilo/mobileapp>

NOTE: For more information, visit: <http://www.hp.com/go/ilo> or **HPE iLO Management Engine technologies whitepaper**

HPE Insight management software

HPE Service Pack for ProLiant (SPP)

HPE Service Pack for ProLiant (SPP) and HPE Smart Update Manager (HPE SUM) provide a comprehensive approach to firmware and system software maintenance. Together they provide better operating stability and ensure maximum uptime. The SPP will be updated at a predictable cadence, typically coinciding with new HPE server hardware launches. By enabling firmware to be updated online and integrating firmware and system software updates in one operation, HPE SUM and the SPP offer faster updates of individual servers and dramatically faster updates of entire BladeSystem enclosures. Further improving system uptime and stability is the fact that Hewlett Packard Enterprise provides 12 months of support for each Service Pack for ProLiant release.

The user experience around HPE SUM and the SPP has been improved in several ways, starting with the web download. A single web page provides access to a single download containing both the latest version of HPE SUM and the latest SPP. Optional smaller subsets with only specific types of servers or specific operating systems are offered to save on download time. The HPE SUM application provides a straightforward, intuitive user interface that guides the user through the steps of discovery, analyses and update, providing comprehensive information on available updates, criticality and interdependencies. This information is also available in reports. By providing the option of multiple local or shared repositories which can be easily updated from hp.com, HPE SUM provides the tools to optimize stability and consistency throughout the company. While HPE SUM and the SPP recommend the combinations of firmware and system software that Hewlett Packard Enterprise has found to be the best practice, the application gives customers the flexibility to set their

QuickSpecs

Standard Features

own specific baseline.

The Service Pack for ProLiant has been rigorously tested with specific attention for interaction between firmware, drivers and agents both within the server as well as in interaction with the BladeSystem enclosure components (Onboard Administrator and Virtual Connect). This testing ensures the highest quality as well as providing the input for HPE SUM to deploy updates taking into account all interdependencies, when determining the correct updates and order of update deployment.

NOTE: The Service Pack for ProLiant (which includes HPE SUM) can be downloaded from <http://www.hp.com/go/spp/download>. More information can be found: <http://www.hp.com/go/SmartUpdate>, <http://www.hp.com/go/spp> and <http://www.hp.com/go/hpsum>

Security

- Power-on password
- Administrator's password
- Keyboard password (QuickLock)
- HPE iLO 4 On System Management Chipset with:
 - SSL encryption
 - Secure Shell version 2
 - Advanced Encryption Standard (AES) and Triple Data Encryption Standard (3DES) on browser, CLP and XML scripting interface
 - AES and RC4 encryption of video
- External USB port enable/disable
- Network server mode
- Serial interface control
- TPM (Trusted Platform Module) 1.2 option
- Advanced Encryption Standard (AES)
- Intel® Advanced Encryption Standard-New Instructions (AES-NI)
- Intel TXT (require the TPM module option)

Availability

Memory

- Data Bus ECC protection provides automatic correction from a single data bit error and detection of double data error bits. Often called single error correction/double error detection (SEC/DED).
- Advanced ECC uses single device data correction (SDDC) to detect and correct single and all multi-bit error that occurs within a single DRAM chip. Both x4 and x8 SDDC are supported (x8 requires lockstep mode).
- Memory online spare mode (also known as rank spare mode) detects a rank that is degrading and switches operation to the spare rank. Hewlett Packard Enterprise offers the rank sparing rather than DIMM sparing as rank sparing uses less spare memory resulting in reduced overhead.
- Memory lockstep mode is used to correct a single x8 DRAM device failure on a DIMM. The DIMMs in each paired memory channel must have identical HPE part numbers.
- Memory demand and patrol scrubbing prevent accumulation of correctable errors and reducing the likelihood of unplanned downtime.
- Failed DIMM isolation improves the service time thus improving the overall system availability.
- Address parity protection available on RDIMMs and LRDIMMs detects address bit errors to improve service time and overall system availability.
- Memory thermal control is used to prevent DIMMs from overheating. Achieved by slowing down the memory access rate per the temperature monitored by DIMM sensor.
- Memory mirroring inter-socket stores a copy of memory with dynamic failover in case of failure. Once a DIMM in a mirrored set is detected as failed, the mirror failover uses its mirrored DIMM.

Mezzanine options and I/O

QuickSpecs

Standard Features

- One or two FlexibleLOM connectors each supporting two (i.e. redundant) Ethernet ports routed to redundant interconnect modules.
- Multiple mezzanine I/O expansion slots that support a wide variety of mezzanine cards each supporting multiple data paths routed to redundant interconnect modules.
- Network Adapter Teaming (bonding) provides network fault tolerance, transmit load balancing, and switch-assisted load balancing.

Storage

- Two (2) hot-plug SAS/SATA/SSD drive bays.
- Integrated HPE Smart Array P220i Controller with 512MB FBWC capability, RAID 0 and 1, and upgradeable firmware with recovery ROM capability.
NOTE: The 512MB flash-backed write cache (FBWC) is included on pre-configured models and is optional on factory integrated models. The FBWC is not required for RAID capability. The purpose of the cache is it can increase hard drive write performance and provides data protection in case the server loses power.
- Up to eight optional HPE D2200sb and/or D22020sb Storage Blades for attachment of up to 12 drives per Storage Blade (up to 96 drives total) within the c-Class enclosure.
- Optional dual-port Fibre Channel mezzanine card(s) for redundant SAN connections.

Processor/Chipset

- Processor internal sensors & thermal control protection against over-temperature conditions.
- Cache parity/ECC protects cache data from accidental data corruption.
- Machine Check Architecture (MCA) detects and captures hardware errors such as system bus, memory ECC, parity, and cache, and improves service time.
- Intel® QPI Protocol Protection allows detection of data errors using a checksum of 8-bits.
- Core Disable for FRB (fault resilient boot) allows a system to power-on despite a failing core-pair. It uses BIST (built-in self test) results to detect a failure and disables the target core-pair upon subsequent boot.

Server Blade Enclosure Infrastructure

- Pooled power for true N+N power redundancy through up to six (6) hot-plug, high-efficiency, common slot enclosure-based power supplies (configuration dependent).
- Up to ten (10) redundant enclosure-based hot-plug HPE Active Cool fans that scale to meet future demands and optimize airflow, reduce power draw, and improve acoustic performance.
- Dual grid power providing redundant rack enclosure power feeds to the server blade enclosure.
- HPE Dynamic Power Saver Mode the total enclosure power consumption is monitored in real time and automatically adjusted with changes in demand for improved efficiency and reliability.
- HPE Dynamic Power Capping safely limits power usage without impacting performance by capping peak usage instead of average power usage, removes risk to electrical infrastructure with a fast-acting, hardware-based capping algorithm, and reclaims more power by dynamically controlling power limits based on workload demand.
- Up to eight interconnect modules per server blade enclosure providing four simultaneous redundant fabrics for FlexFabric, Virtual Connect Ethernet, Fibre Channel, InfiniBand, Pass Thru Ethernet, etc.
- Enclosure crosslinks between adjacent enclosures to provide interconnect module-to-module connections or as Virtual Connect module stacking links.
- Optional enclosure redundant Onboard Administrator system management module.

Warranty

This product is covered by a global limited warranty and supported by HPE Services and a worldwide network of Hewlett Packard Enterprise Authorized Channel Partners. Hardware diagnostic support and repair is available for three years from date of purchase. Support for software and initial setup is available for 90 days from date of purchase. Enhancements to warranty services are available through HPE Pointnext operational services or customized service agreements. Certain restrictions and exclusions apply. Hard drives have either a one year or three year warranty; refer to specific hard drive QuickSpecs for details.

QuickSpecs

Standard Features

NOTE: Server warranty includes 3 year Parts, 3 year Labor, 3-year on-site support. Warranty repairs may be accomplished through the use of Customer Self Repair (CSR) parts. These parts fall into two categories: 1) Mandatory CSR parts are designed for easy replacement. A travel and labor charge will result when customers decline to replace a Mandatory CSR part; 2) Optional CSR parts are also designed for easy replacement but may involve added complexity. Customers may choose to have Hewlett Packard Enterprise replace Optional CSR parts at no charge. Additional information regarding worldwide limited warranty and technical support is available at <http://h17007.www1.hp.com/us/en/enterprise/servers/warranty/index.aspx>

QuickSpecs

Optional Features

Fibre Channel Support

Up to three (3) optional Fibre Channel mezzanine HBAs are supported on the HPE ProLiant BL660c Gen8.

Compatible SAN

HPE ProLiant BL660c Gen8 server blades are optimized for HPE MSA, EVA and XP. HPE ProLiant BL660c Gen8 server blades are compatible with select 3rd party SANs. Please see blade storage page for more details at <http://h18004.www1.hp.com/products/ blades/ components/ c-class-sans.html>.

HPE Virtual Connect

HPE Virtual Connect is an interconnect option for BladeSystem c-Class that simplifies server connectivity to data and storage networks, and reduces costs. Unique HPE Flex-10 technology makes maximum use of network bandwidths, provide dynamic tuning and enable extreme flexibility to meet individual server and infrastructure requirements by allocating up to 4 network connections per server port. Virtual Connect FlexFabric modules extend those capabilities to allocate one function per port to storage connections. HPE Virtual Connect Enterprise Manager (VCEM) provides server management software with a central console to administer network connections and workloads for thousands of servers. For more information on Virtual Connect Enterprise Manager, see <http://www8.hp.com/h20195/v2/GetPDF.aspx/c04154443.pdf>. For more information on Virtual Connect Ethernet, Fibre Channel, Converged Network and management options, see <http://www.hp.com/go/virtualconnect>.

HPE Insight management software

HPE Insight Control HPE Insight Control, a product option, delivers essential infrastructure management that can help save time and money by making it easy to deploy, migrate, monitor, remote control, and optimize your IT infrastructure through a single, simple management console. For more information, see <http://www.hp.com/go/insightcontrol>.

HPE Insight Control includes one year of 24 x 7 HPE Software Technical Support and Update Service ensuring rapid access to Hewlett Packard Enterprise support staff and proactive delivery of software updates. For more information about this service, see <http://www.hp.com/services/insight>.

HPE Matrix Operating Environment

The HPE Matrix Operating Environment (Matrix OE) for ProLiant and Integrity servers is an integrated command center that helps you instantly adjust to dynamic business demands. This advanced infrastructure management software lets you reduce the cost of common data center tasks by up to 40 percent while keeping pace with your changing business.

The HPE Matrix OE includes the automated provisioning, optimization, and recovery management capabilities for HPE CloudSystem Matrix, the ideal platform for private cloud and Infrastructure as a Service (IaaS). For more information, see <http://www.hp.com/go/matrixoe>.

HPE iLO Scale-Out

The HPE iLO Scale-Out license ideal for web/hosting/cloud service providers and High Performance Computing environments. This license is a specific subset of iLO Advanced functionality, provides fast remote access through Text Console via SSH, lower operational cost with Dynamic power capping, and faster time to resolution through Email-based Alerting and proactive notifications. With this newly designed HPE iLO Scale-Out license HPC customers now have a server management package solely design and priced for their massive data environments. HPE iLO Scale-Out is available on all HPE ProLiant Gen8 BL and SL platforms. For more information, see: <http://www.hp.com/go/iLO/scale-out>

QuickSpecs

Optional Features

HPE iLO Advanced HPE Integrated Lights-Out Advanced License a product option, providing smart remote server management without compromise. iLO Advanced unlocks the full set of remote administration functionality for all HPE ProLiant servers by activating the full Virtual Keyboard Video and Mouse remote console, multi-user collaboration, console record and replay, GUI-based and scripted virtual media and virtual folders, and enhanced security and power management functionality. For more information, see: <http://www.hp.com/go/iloadvance>

HPE OneView

The HPE OneView architecture combines server, storage, and networking with control of datacenter environmentals into a single, integrated management platform. Architected to deliver lifecycle management for the complete Converged Infrastructure, it facilitates collaboration, removes friction, collapses cycle times, eliminates error-prone work, and accelerates time to value. HPE OneView v1.0 combines management of servers and virtual connect with open integration to automate and customize existing tools and processes. With OneView, you'll work smarter-with greater visibility and control-and fully capitalize on the benefits of a Converged Infrastructure.

For more information on HPE OneView management, see: <http://www.hp.com/go/oneview>

High Performance Clusters

HPE Cluster Platforms HPE Cluster Platforms are specifically engineered, factory-integrated large-scale ProLiant clusters optimized for High Performance Computing, with a choice of servers, networks and software. Operating system options include specially priced offerings for Red Hat Enterprise Linux and SUSE Linux Enterprise Server, as well as Microsoft Windows HPC Server. A Cluster Platform Configurator simplifies ordering. <http://www.hp.com/go/clusters>

HPE HPC Interconnects HPE HPC Interconnects High Performance Computing (HPC) interconnect technologies are available for this server as part of the HPE Cluster Platform portfolio. These high-speed InfiniBand and Gigabit interconnects are fully supported by Hewlett Packard Enterprise when integrated within an HPE cluster. Flexible, validated solutions can be defined with the help of configuration tools. <http://www.hp.com/techservers/clusters/ucp/index.html>

HPE Insight Cluster Management Utility HPE Insight Cluster Management Utility (CMU) is an Hewlett Packard Enterprise-licensed and Hewlett Packard Enterprise-supported suite of tools that are used for lifecycle management of hyperscale clusters of Linux ProLiant systems. CMU includes software for the centralized provisioning, management and monitoring of nodes. CMU makes the administration of clusters user friendly, efficient, and effective. <http://www.hp.com/go/cmu>

Storage Software

Whether you need to solve a specific data protection, archiving, or storage command and control challenge, or deliver on strategic consolidation, compliance, or continuity initiatives, look no further than HPE storage software. Our storage software helps you reduce costs, simplify storage infrastructure, protect vital assets and respond faster to business opportunities.

Storage software that gets the job done:

- **Data Protection and Recovery Software**
Whether you're a large enterprise or a smaller business, HPE data protection and recovery software will cost-effectively protect you against disaster and ensure business continuity.
- **Data Archive and Migration Software**
The Hewlett Packard Enterprise storage software enables you to comply with data retention and retrieval requirements, improve application performance, and reduce costs by efficiently migrating

QuickSpecs

Optional Features

- infrequently accessed or less valuable data to lower cost storage.
- Storage Resource Management Software (SRM)
The Hewlett Packard Enterprise storage resource management software reduces operational costs and provides the command and control foundation you need to efficiently manage and visualize your physical and virtual environments.
- Data Replication Software
Hewlett Packard Enterprise support staff offers array-based and host-based replication software for use in disaster recovery, testing, application development and reporting.
- Storage Device Management Software
Maximize your investment in HPE storage and networking with software that enables hardware-specific configuration, performance tuning and connectivity management.
- HPE StoreVirtual VSA
With HPE StoreVirtual VSA you can use the power of virtualization to turn a set of heterogeneous and disconnected physical disk drives in your servers and storage devices into a single pool of logical storage capacity.

NOTE: For more information available Storage Software including QuickSpecs, please see: <http://www.hp.com/go/storage/software>.

HPE Insight Online

HPE Insight Online is a new addition to the HPE Support Center for one stop, secure access to product and HPE support information personalized to your IT environment. Insight Online can automatically display devices remotely monitored by HPE Insight Remote Support. With Insight Online's easy navigation you can efficiently track your IT support contracts and device status from anywhere and at anytime.

<http://www.hp.com/go/insightonline>

Factory Express Portfolio for Servers and Storage

HPE Factory Express offers configuration, customization, integration and deployment services for Hewlett Packard Enterprise servers and storage products. Customers can choose how their factory solutions are built, tested, integrated, shipped and deployed.

Factory Express offers service packages for simple configuration, racking, installation, complex configuration and design services as well as individual factory services, such as image loading, asset tagging, and custom packaging. Hewlett Packard Enterprise products supported through Factory Express include a wide array of servers and storage: HPE Integrity, HPE ProLiant, HPE ProLiant Server Blades, HPE BladeSystem, HPE 9000 servers as well as the MSAxxxx, VA7xxx, EVA, XP, rackable tape libraries and configurable network switches.

For more information on Factory Express services on your specific server model please contact your sales representative or go to: <http://www8.hp.com/us/en/campaigns/factory-express/server-storage-networking.html>

HPE Simple Configurator

SCE is a guided self service tool to help sales and non technical people provide customers with initial configurations in 3 to 5 minutes. You may then send the configuration on for configuration help, or use in your existing ordering processes. If you require "custom" rack configuration or configuration for products not available in SCE, please contact the Hewlett Packard Enterprise Customer Business Center or an Authorized Partner for assistance. <https://h22174.www2.hp.com/SimplifiedConfig/Index>

QuickSpecs

Service and Support

Service and Support HPE Technology Services for Industry Standard Servers

HPE Technology Services delivers confidence, reduces risk and helps customers realize agility and stability. Connect to Hewlett Packard Enterprise to help prevent problems and solve issues faster. Our support technology lets you to tap into the knowledge of millions of devices and thousands of experts to stay informed and in control, anywhere, any time.

Protect your business beyond warranty with HPE Pointnext operational services

HPE Pointnext operational services enable you to order the right service level, length of coverage and response time as you purchase your new server, giving you full entitlement for the term you select.

Recommended HPE Pointnext operational services for your HPE product

Optimized Care

HPE Proactive Care Advanced - 24x7 coverage, three year Care Pack Service

Achieve a higher return on your product investment with the personal attention from a locally assigned Account Support Manager who delivers recommendations designed to improve availability and performance. Leverage your system's ability to connect to Hewlett Packard Enterprise for automated problem detection and rapid critical event management to increase stability and reduce unplanned downtime. This recommendation provides 24x7 coverage with four-hour response for hardware and two-hour callback for supported software. Collaborative call management comes with Proactive Care Advanced or you may choose full support from Hewlett Packard Enterprise where we own all cases through to resolution. Hewlett Packard Enterprise is a leading provider of support services for most operating systems used on HPE BladeSystem with long, successful partnerships with vendors such as Microsoft, Red Hat, VMware, SUSE and others. Purchasing software support from Hewlett Packard Enterprise simplifies troubleshooting and shortens time to resolution with one call for hardware or software questions.

<https://www.hpe.com/h20195/V2/GetDocument.aspx?docname=4AA5-3259ENW&cc=us&lc=en>

Standard Care

HPE Proactive Care with 24x7 coverage, three year Care Pack Service

HPE Proactive Care helps prevent problems and stabilize IT by utilizing secure, real-time, predictive analytics and proactive consultations when your products are connected to Hewlett Packard Enterprise. This Care Pack Service combines three years' proactive reporting and advice with our 24x7 coverage and enhanced escalation management, four hour hardware response time and two hour call back for software questions on leading industry standard software running on your HPE ProLiant server.

<https://www.hpe.com/h20195/v2/getpdf.aspx/4aa3-8855enw.pdf>

Related Services

HPE ProLiant Server Hardware Installation

Provides for the basic hardware installation of Hewlett Packard Enterprise branded servers, storage devices and networking options to assist you in bringing your new hardware into operation in a timely and professional manner.

<http://h20195.www2.hp.com/V2/GetPDF.aspx/5981-9356EN.pdf>

Factory Express for Servers and storage

HPE Factory Express offers configuration, customization, integration and deployment services for Hewlett Packard Enterprise servers and storage products. Customers can choose how their factory solutions are built, tested, integrated, shipped and deployed. For more information on Factory Express services for your specific server model please contact your sales representative or go to: <http://www.hp.com/go/factory-express>.

Data Privacy Services

Protect your data through better media management. HPE Data privacy services help manage and protect

QuickSpecs

Service and Support

sensitive data to reduce the risk of unauthorized access to private information and help meet compliance requirements. Our retention services allow you to keep drives and other devices upon failure, our removal services provide convenient data sanitization and our recovery services allow you to safely retire IT assets and capture any remaining value from the hardware. <http://www.hp.com/services/dataprivacy>
Additional HPE Pointnext operational services can be found at: <http://www.hp.com/go/cpc>

Get connected to Hewlett Packard Enterprise to improve your support experience

Connecting products to Hewlett Packard Enterprise will help prevent problems with 24x7 monitoring, prefailure alerts, automatic call logging, and parts dispatch, plus current data will be available for the proactive reports that are part of Proactive Care Services. With Connected products, you can have a dashboard to manage your IT anywhere, anytime, from any device.

HPE Support Center

Personalized online support portal with access to information, tools and experts to support Hewlett Packard Enterprise business products. Submit support cases online, chat with Hewlett Packard Enterprise experts, access support resources or collaborate with peers. Learn more <http://www.hp.com/go/hpsc>
The HPE Support Center Mobile App allows you to resolve issues yourself or quickly connect to an agent for live support. Now, you can get access to personalized IT support anywhere, anytime.

HPE Insight Remote Support and HPE Support Center are available at no additional cost with a Hewlett Packard Enterprise warranty, HPE Care Pack or Hewlett Packard Enterprise contractual support agreement.

NOTE: HPE Support Center Mobile App is subject to local availability.

Parts and Materials

Hewlett Packard Enterprise will provide HPE-supported replacement parts and materials necessary to maintain the covered hardware product in operating condition, including parts and materials for available and recommended engineering improvements.

Parts and components that have reached their maximum supported lifetime and/or the maximum usage limitations as set forth in the manufacturer's operating manual, product quick-specs, or the technical product data sheet will not be provided, repaired, or replaced as part of these services.

The defective media retention service feature option applies only to Disk or eligible SSD/Flash Drives replaced by Hewlett Packard Enterprise due to malfunction.

For more information

To learn more on HPE ProLiant servers and HPE BladeSystem servers, please contact your Hewlett Packard Enterprise sales representative or Hewlett Packard Enterprise Authorized ServiceOne Channel Partner. Or visit: <http://www.hp.com/services/bladestystem>

QuickSpecs

Pre-configured Models

NOTE: For the Standard Features shipped in the "Factory Integrated Models", please see the "Configuration Information - Factory Integrated Models" section.

NOTE: Pre-configured models ship with the configurations below. Options can be selected from the Core or Additional options section of this QuickSpecs.

NOTE: Hewlett Packard Enterprise does not allow factory integration of options into pre-configured models. Any additional options purchased will be shipped separately.

NOTE: If you desire a custom configuration please see "Configuration Information - Factory Integrated Models" section of this QuickSpecs.

NOTE: Not all Pre-configured Models are available in all regions. Check with your local country Hewlett Packard Enterprise offices for availability.

E5-4600v2 series Processors

Performance Models

HP ProLiant BL660c Processor(s)	Four (4) Intel® Xeon® E5-4650v2 (2.4GHz/10-core/25MB/95W)
Gen8 E5-4650v2 4P Cache Memory	25MB Level 3 cache
128GB-R Server Memory 727959-B21	128GB (8x 16GB) PC3L-14900R (DDR3-1866) Registered DIMMs at 1.5V NOTE: Server supports a total of 32 DIMM slots.
Network Controller	Two (2) HPE FlexFabric 10Gb 2-port 534FLB FlexibleLOMs
Storage Controller	HPE Smart Array P220i Controller with 512MB FBWC and RAID 0, 1
Hard Drive	None ship standard; includes 2 SFF hard drive blanks Supports up to two (2) HPE hot-plug SFF SAS/SATA/SDD drives
Internal Storage	SAS: 2.4TB; SATA: 2.0TB; SAS SSD: 1.6TB; SATA SSD: 1.6TB
Optical Drive Bay	None
Expansion Slots	3 standard - Slot 1 supports Type A mezzanine Cards. Slots 2 and 3 support Type A and Type B mezzanine cards.
Management	HPE iLO Management Engine (standard) Optional: HPE iLO Scale-Out or HPE Insight Control
Form Factor	Up to four (4) full-height server blades supported in the HPE BladeSystem c3000 Enclosure Up to eight (8) full-height server blades supported in HPE BladeSystem c7000 Enclosure
Warranty	Server warranty includes 3 year parts, 3 year labor, 3-year on-site support.

Base Model

HP ProLiant BL660c Processor(s)	Four (4) Intel® Xeon® E5-4620v2 (2.6GHz/8-core/20MB/95W)
Gen8 E5-4620v2 4P Cache Memory	20MB Level 3 cache
128GB-R Server Memory 727958-B21	128GB (8x 16GB) PC3L-12800R (DDR3-1600) Registered DIMMs at 1.35V NOTE: Server supports a total of 32 DIMM slots.
Network Controller	Two (2) HPE FlexFabric 10Gb 2-port 534FLB FlexibleLOMs
Storage Controller	HPE Smart Array P220i Controller with 512MB FBWC and RAID 0, 1
Hard Drive	None ship standard; includes 2 SFF hard drive blanks Supports up to two (2) HPE hot-plug SFF SAS/SATA/SDD drives

QuickSpecs

Pre-configured Models

Internal Storage	SAS: 2.4TB; SATA: 2.0TB; SAS SSD: 1.6TB; SATA SSD: 1.6TB
Optical Drive Bay	None
Expansion Slots	3 standard - Slot 1 supports Type A mezzanine Cards. Slots 2 and 3 support Type A and Type B mezzanine cards.
Management	HPE iLO Management Engine (standard) Optional: HPE iLO Scale-Out or HPE Insight Control
Form Factor	Up to four (4) full-height server blades supported in the HPE BladeSystem c3000 Enclosure Up to eight (8) full-height server blades supported in HPE BladeSystem c7000 Enclosure
Warranty	Server warranty includes 3 year parts, 3 year labor, 3-year on-site support.

Entry Model

HP ProLiant BL660c Processor(s)	Two (2) Intel® Xeon® E5-4607v2 (2.6GHz/6-core/15MB/95W)
Gen8 E5-4607v2 2P Cache Memory	15MB Level 3 cache
64GB-R Server Memory 727957-B21	64GB (4x 16GB) PC3L-12800R (DDR3-1600) Registered DIMMs at 1.35V NOTE: Server supports a total of 32 DIMM slots.
Network Controller	Two (2) HPE FlexFabric 10Gb 2-port 534FLB FlexibleLOMs
Storage Controller	HPE Smart Array P220i Controller with 512MB FBWC and RAID 0, 1
Hard Drive	None ship standard; includes 2 SFF hard drive blanks Supports up to two (2) HPE hot-plug SFF SAS/SATA/SDD drives
Internal Storage	SAS: 2.4TB; SATA: 2.0TB; SAS SSD: 1.6TB; SATA SSD: 1.6TB
Optical Drive Bay	None
Expansion Slots	3 standard - Slot 1 supports Type A mezzanine Cards. Slots 2 and 3 support Type A and Type B mezzanine cards.
Management	HPE iLO Management Engine (standard) Optional: HPE iLO Scale-Out or HPE Insight Control
Form Factor	Up to four (4) full-height server blades supported in the HPE BladeSystem c3000 Enclosure Up to eight (8) full-height server blades supported in HPE BladeSystem c7000 Enclosure
Warranty	Server warranty includes 3 year parts, 3 year labor, 3-year on-site support.

QuickSpecs

Configuration Information - Factory Integrated Models

NOTE: This section lists some of the steps required to configure a Factory Integrated Model or configure-to-order (CTO) server. To ensure only valid configurations are ordered, Hewlett Packard Enterprise recommends the use of an Hewlett Packard Enterprise approved configurator. Contact your local sales representative for information on CTO product offerings and requirements.

NOTE: Configure-to-order server blades must start with a CTO Blade Server

NOTE: FIO indicates that this option is only available as a factory installable option.

NOTE: All CTO (Configure to Order) systems will be populated with sufficient hard drive blanks based on the number of initial hard drives ordered with the server.

Step 1: Base Server Blade Configuration (Select a configurable Blade)

Models	HP ProLiant BL660c Gen8 10Gb FlexibleLOM Configure-to-order Blade Server	679118-B21
---------------	--	------------

Each configurable model ships with:

- Two (2) FlexibleLOM connectors providing a choice of supported FlexibleLOMs (see Step 2)
- One (1) embedded HPE Smart Array P220i Controller with RAID 0, 1
- Optional HPE Smart Array P220i Controller 512MB FBWC (listed in step 4)
- Two (2) HPE small form factor hot-plug SAS/SATA/SSD hard drive bays
- Three (3) PCIe Gen 3.0 I/O expansion slots (one x8 Type A, two x16 Type B)
- One (1) integrated USB connector and one (1) MicroSDHC connector
- One (1) TPM connector
- HPE iLO Management Engine (standard)

Step 2: Choose Required Options (one of the following from each list unless otherwise noted)

- HPE Processors**
- NOTE:** The BL660c Gen8 supports two or four processors; one and three processor configurations are not supported.
 - NOTE:** All processor kits contain two (2) processors.
 - NOTE:** If four processors are desired, select one 2P xxxxxx-L21 processor kit here in Step 2 and one xxxxxx-B21 2P processor kit in Step 3.
 - NOTE:** All processors within the server must be identical.
 - NOTE:** The processor model as well as the memory configuration determines the maximum speed memory can operate. Please see the see the "Memory" section later in this document.
 - NOTE:** Intel® Hyper Threading is supported on all processors except E5-4617 and E5-4627 v2.

E5-4600v2 series Processors

HP BL660c Gen8 Intel Xeon E5-4657Lv2 (2.4GHz/12-core/30MB/115W) FIO 2-processor Kit	727590-L21
HP BL660c Gen8 Intel Xeon E5-4650v2 (2.4GHz/10-core/25MB/95W) FIO 2-processor Kit	727576-L21
HP BL660c Gen8 Intel Xeon E5-4640v2 (2.2GHz/10-core/20MB/95W) FIO 2-processor Kit	727578-L21

QuickSpecs

Configuration Information - Factory Integrated Models

HP BL660c Gen8 Intel Xeon E5-4627v2 (3.3GHz/8-core/16MB/130W) FIO 2-processor Kit	727588-L21
HP BL660c Gen8 Intel Xeon E5-4620v2 (2.6GHz/8-core/20MB/95W) FIO 2-processor Kit	727580-L21
HP BL660c Gen8 Intel Xeon E5-4610v2 (2.3GHz/8-core/16MB/95W) FIO 2-processor Kit	727582-L21
HP BL660c Gen8 Intel Xeon E5-4607v2 (2.6GHz/6-core/15MB/95W) FIO 2-processor Kit	727584-L21
HP BL660c Gen8 Intel Xeon E5-4603v2 (2.2GHz/4-core/10MB/95W) FIO 2-processor Kit	727586-L21

HPE Memory

NOTE: HPE memory from previous generation servers are not qualified or warranted with this HPE ProLiant Server.

NOTE: HPE SmartMemory is required to realize the memory performance improvements and enhanced functionality listed in this document. For additional information, please see the HPE SmartMemory QuickSpecs at: http://h18000.www1.hp.com/products/QuickSpecs/14225_div/14225_div.html

NOTE: LRDIMMs and RDIMMs are all distinct memory technologies and cannot be mixed within a server.

NOTE: A minimum of one DIMM is required per processor.

NOTE: Depending on the memory configuration and processor model, 1866MHz, 1600MHz and 1333MHz memory may operate at a lower speed. Please see the "Memory" section later in this document and the Online Memory Configuration Tool for details at <http://www.hp.com/go/ddr3memory-configurator>.

NOTE: For additional memory rules and guidelines, see the "Memory" section later in this document.

HPE SmartMemory

Registered DIMMs (RDIMMs) - E5-4600 v2 series Processors

HP 4GB (1x4GB) Single Rank x4 PC3L-12800R (DDR3-1600) Registered CAS-11 Low Voltage Memory Kit	713981-B21
HP 4GB (1x4GB) Single Rank x4 PC3-14900R (DDR3-1866) Registered CAS-13 Memory Kit	708637-B21
HPE 8GB (1x8GB) Single Rank x4 PC3L-12800R (DDR3-1600) Registered CAS-11 Low Voltage Memory Kit	731765-B21
HPE 8GB (1x8GB) Single Rank x4 PC3-14900R (DDR3-1866) Registered CAS-13 Memory Kit	731761-B21
HPE 16GB (1x16GB) Dual Rank x4 PC3L-12800R (DDR3-1600) Registered CAS-11 Low Voltage Memory Kit	713985-B21
HPE 16GB (1x16GB) Dual Rank x4 PC3-14900R (DDR3-1866) Registered CAS-13 Memory Kit	708641-B21

Registered DIMMs (RDIMMs) - E5-4600 series Processors

HP 4GB (1x4GB) Single Rank x4 PC3L-10600 (DDR3-1333) Registered CAS-9 Low Voltage Memory Kit	647893-B21
--	------------

QuickSpecs

Configuration Information - Factory Integrated Models

HPE 4GB (1x4GB) Single Rank x4 PC3-12800 (DDR3-1600) Registered CAS-11 Memory Kit	647895-B21
HP 8GB (1x8GB) Dual Rank x4 PC3L-10600 (DDR3-1333) Registered CAS-9 LP Memory Kit	647897-B21
HPE 8GB (1x8GB) Single Rank x4 PC3-12800 (DDR3-1600) Registered CAS-11 Memory Kit	647899-B21
HP 8GB (1x8GB) Dual Rank x4 PC3-12800R (DDR3-1600) Registered CAS-11 Memory Kit	690802-B21
HPE 16GB (1x16GB) Dual Rank x4 PC3L-10600 (DDR3-1333) Registered CAS-9 LP Memory Kit	647901-B21
HPE 16GB (1x16GB) Dual Rank x4 PC3-12800R (DDR3-1600) Registered CAS-11 Memory Kit	672631-B21
HP 24GB (1x24GB) Three Rank x4 PC3L-10600R (DDR3-1333) Registered CAS-9 LV Memory Kit	761501-B21

NOTE: When HPE 24GB (1x24GB) Three Rank x4 PC3L-10600R (DDR3-1333) Registered CAS-9 Low Voltage FIO Memory Kits are used, all DIMM slots for the associated processor sockets must be fully populated with these 24GB DIMMs. If two processor sockets are populated, all 16 DIMM slots must be populated with 24GB DIMMs. If all four processor sockets are populated, all 32 DIMM slots must be populated with 24GB DIMMs.

Load Reduced DIMMs (LRDIMMs) - E5-4600 v2 series Processors

HPE 32GB (1x32GB) Quad Rank x4 PC3-14900L (DDR3-1866) Load Reduced CAS-13 Memory Kit	708643-B21
--	------------

Load Reduced DIMMs (LRDIMMs) - E5-4600 series Processors

HP 32GB (1x32GB) Quad Rank x4 PC3L-10600 (DDR3-1333) LRDIMM CAS-9 LP Memory Kit	647903-B21
---	------------

HPE Networking

FlexibleLOM Adapters

NOTE: The ProLiant BL660c Gen8 supports one or two FlexibleLOMs.

NOTE: For a single FlexibleLOM Factory Integrated Model configuration, select the option here in the "Step 2" HPE Networking section.

NOTE: For a two FlexibleLOM Factory Integrated Model configuration, the second FlexibleLOM is a different part number. When two FlexibleLOMs are needed you must select the first FlexibleLOM here in the "Step 2" HPE Networking section and the second FlexibleLOM from "Step 4" HPE Networking section.

NOTE: All FlexibleLOMs are dual port: one port is routed to interconnect module bay 1 and the other to bay 2.

10/20 GbE Ethernet FlexibleLOMs

HPE FlexFabric 20Gb 2-port 630FLB FIO Adapter	700066-B21
---	------------

NOTE:NOTE: For a two FlexibleLOM configuration, the HPE FlexFabric 20Gb 2-port

QuickSpecs

Configuration Information - Factory Integrated Models

630FLB FIO Adapter may be configured with the HPE FlexFabric 20Gb 2-port 630FLB Adapter (700066-B21) or the HPE 10Gb 2-port 560FLB Adapter (655639-B21).

HP Flex-10 10Gb 2-port 530FLB FIO Adapter 684211-B21

NOTE: For a two FlexibleLOM configuration, the HPE Flex-10 10Gb 2-port 530FLB FIO Adapter may be configured with the HPE Flex-10 10Gb 2-port 530FLB Adapter (656590-B21) or the HPE 10Gb 2-port 560FLB Adapter (655639-B21).

HP FlexFabric 10Gb 2-port 534FLB FIO Adapter 700742-B21

NOTE: For a two FlexibleLOM configuration, the HPE FlexFabric 10Gb 2-port 534FLB FIO Adapter may be configured with the HPE FlexFabric 10Gb 2-port 534FLB Adapter (700741-B21) or the HPE 10Gb 2-port 560FLB Adapter (655639-B21).

HP FlexFabric 10Gb 2-port 554FLB FIO Adapter 684212-B21

NOTE: For a two FlexibleLOM configuration, the HPE FlexFabric 10Gb 2-port 554FLB FIO Adapter may be configured with the HPE FlexFabric 10Gb 2-port 554FLB Adapter (647586-B21) or the HPE 10Gb 2-port 560FLB Adapter (655639-B21).

HPE Ethernet 10Gb 2-port 560FLB FIO Adapter 684214-B21

NOTE:NOTE: For a two FlexibleLOM configuration, the HPE 10Gb 2-port 560FLB FIO Adapter may be configured with the HPE 10Gb 2-port 560FLB Adapter (655639-B21).

HPE Storage Controllers

Optional Upgrades

HP 512MB FBWC for BL660c FIO Kit 694033-B21

NOTE: Please see the Smart Array Advanced Pack 2.0 QuickSpecs for Technical Specifications and additional information at <https://www.hpe.com/h20195/v2/GetHTML.aspx?docname=c04154413>. (Smart Array Advanced Pack)

Step 3: Choose Additional Factory Integration Options

HPE Insight Software

HPE Insight Control including 1yr 24x7 Support ProLiant ML/DL/BL-bundle Single Server FIO LTU C6N36A

Converged Infrastructure Management Software

HPE OneView with iLO Advanced - Server hardware required on same purchase order

HPE OneView for Blade Server including 3yr 24x7 Support FIO Bundle Physical 1-server LTU F6Q89A

HPE Storage Blades

HPE D2220sb Configure-to-order Storage Blade QW918A
 NOTE:NOTE: The ProLiant BL660c Gen8 supports up to two expansion blades (Ultrium Tape Blade(s), HPE D2200sb/D2220sb Storage Blade(s), and/or PCI Expansion Blade(s)) that directly connect to the server via the enclosure midplane
 NOTE:NOTE: Please see the QuickSpecs for technical specifications and additional information at <http://h18006.www1.hp.com/storage/bladesystem/index.html>

Step 4: Choose Additional Options for Factory Integration

QuickSpecs

Configuration Information - Factory Integrated Models

NOTE: For additional options, including server blade enclosures interconnect, mezzanine options and power subsystem options; please see the Core Options and Additional sections below; or the following:

- HPE BladeSystem c3000 Enclosure QuickSpecs:
http://h18000.www1.hp.com/products/QuickSpecs/12790_div/12790_div.html
NOTE: The c3000 HPE c-Class enclosures have full backwards and forwards compatibility, existing server blades are supported in the new enclosures and any future server blades will be supported in the existing enclosures.
NOTE: The ProLiant BL660c Gen8 requires the c3000 Enclosure to be configured with 6 fans.
- HPE BladeSystem c7000 Enclosure QuickSpecs:
http://h18000.www1.hp.com/products/QuickSpecs/12810_div/12810_div.html
NOTE: The c7000 HPE c-Class enclosures have full backwards and forwards compatibility, existing server blades are supported in the new enclosures and any future server blades will be supported in the existing enclosures.
NOTE: The ProLiant BL660c Gen8 requires the c7000 Enclosure to be configured with 10 fans.
- HPE BladeSystem c-Class Interconnect and Mezzanine Components:
<http://h18004.www1.hp.com/products/blades/components/c-class-interconnects.html> and
<http://h18004.www1.hp.com/products/blades/components/c-class-adapters.html>

QuickSpecs

Core Options

HPE Networking

10/20Gb Ethernet Mezzanines

NOTE: All 10Gb Ethernet adapters are Type A mezzanine cards that can be installed in any of the BL660c Gen8 mezzanine slots.

NOTE: Each 10 Gigabit Ethernet adapter requires a minimum of 2GB of server memory.

NOTE: A 10 Gigabit Ethernet adapter supports linking at 1Gbps or 10Gbps when connected to an interconnect module with 10Gb Ethernet downlinks.

NOTE: A 10 Gigabit Ethernet adapter supports linking at only 1Gbps when connected to an interconnect module with 1Gb Ethernet downlinks.

NOTE: The 10 Gigabit Ethernet adapters on each server blade connect to a 10Gb interconnect in bays 3-6 (HPE BladeSystem c7000 Enclosure) or bays 2-4 (HPE BladeSystem c3000 Enclosure).

HPE FlexFabric 20Gb 2-port 650M Adapter

700767-B21

HPE FlexFabric 20Gb 2-port 630M Adapter

700076-B21

HPE Ethernet 10Gb 2-port 560M Adapter

665246-B21

NOTE: Please see QuickSpecs for technical specifications and additional information at: <https://www.hpe.com/h20195/v2/GetHTML.aspx?docname=c04111406>

HP FlexFabric 10Gb 2-port 554M Adapter

647590-B21

NOTE: Please see QuickSpecs for technical specifications and additional information at: <https://www.hpe.com/h20195/v2/GetHTML.aspx?docname=c04111536>.

HP Flex-10 10Gb 2-port 552M Adapter

674764-B21

NOTE: Please see QuickSpecs for technical specifications and additional information at: <https://www.hpe.com/h20195/v2/GetHTML.aspx?docname=c04111477>.

HPE FlexFabric 10Gb 2-port 534M Adapter

700748-B21

NOTE: Please see QuickSpecs for technical specifications and additional information at: <https://www.hpe.com/h20195/v2/GetHTML.aspx?docname=c04111370>

HP Flex-10 10Gb 2-port 530M Adapter

631884-B21

NOTE: Please see QuickSpecs for technical specifications and additional information at: <https://www.hpe.com/h20195/v2/GetHTML.aspx?docname=c04111538>.

10/20Gb Ethernet FlexibleLOM Adapters

NOTE: All 1Gb Ethernet adapters are Type A mezzanine cards that can be installed in any of the BL660c Gen8 mezzanine slots.

HPE Ethernet 1Gb 4-port 366M Adapter

615729-B21

10Gb Ethernet FlexibleLOM Adapters

NOTE: The server supports one or two FlexibleLOMs.

NOTE: For Pre-configured Model configurations, two FlexibleLOMs are already included; no additional FlexibleLOMs are added.

NOTE: For a Factory Integrated Model configuration with one FlexibleLOM, it is added in the HPE Networking section of "Step 2" in the Factory Integrated Models section

QuickSpecs

Core Options

earlier in this document; it is not added here.

NOTE: For a Factory Integrated Model configuration with two FlexibleLOMs, the second FlexibleLOM is a different part number. You must select the first FlexibleLOM earlier in this document in the "Step 2" HPE Networking section and select the second FlexibleLOM here in the "Step 4" HPE Networking section.

NOTE: The FlexibleLOMs here can also be used change the FlexibleLOM(s) that original came with the server.

NOTE: All FlexibleLOMs are dual port: one port is routed to interconnect module bay 1 and the other to bay 2.

HPE FlexFabric 20Gb 2-port 630FLB Adapter 700065-B21

HPE Flex-10 10Gb 2-port 530FLB Adapter 656590-B21

NOTE: Please see QuickSpecs for technical specifications and additional information at: <https://www.hpe.com/h20195/v2/GetHTML.aspx?docname=c04111539>.

HP FlexFabric 10Gb 2-port 534FLB Adapter 700741-B21

NOTE: Please see QuickSpecs for technical specifications and additional information at: <https://www.hpe.com/h20195/v2/GetHTML.aspx?docname=c04111370>

HPE FlexFabric 10Gb 2-port 554FLB Adapter 647586-B21

NOTE: Please see QuickSpecs for technical specifications and additional information at: <https://www.hpe.com/h20195/v2/GetHTML.aspx?docname=c04111537>.

HPE Ethernet 10Gb 2-port 560FLB Adapter 655639-B21

NOTE: Please see QuickSpecs for technical specifications and additional information at: <https://www.hpe.com/h20195/v2/GetHTML.aspx?docname=c04111516>.

1Gb Ethernet FlexibleLOM Adapters

NOTE: The server supports one or two FlexibleLOMs. Two are already included in the Pre-configured Models and the first one is added per Step 2 for Factory Integrated Models. The 1GbE FlexibleLOM option below is used to change the original 10Gb FlexibleLOM(s) that originally came with the server.

NOTE: For a two FlexibleLOM configuration, the two FlexibleLOMs must be identical.

HP Ethernet 1Gb 2-port 361FLB Adapter 652500-B21

NOTE: Please see QuickSpecs for technical specifications and additional information at: <https://www.hpe.com/h20195/v2/GetHTML.aspx?docname=c04111515>

HPE InfiniBand Mezzanine Adapters

NOTE: When an InfiniBand adapter is installed in mezzanine slot 1, only one port is active (regardless of operating mode). When installed in any other mezzanine slot, both ports are active.

HP InfiniBand QDR/EN 10Gb Dual Port 544M Adapter 644160-B21

NOTE:NOTE: The QDR InfiniBand adapter may be installed in any mezzanine slot of the server.

HP InfiniBand FDR/EN 10/40Gb Dual Port 544M Adapter 644161-B22

NOTE:NOTE: The FDR InfiniBand adapter must be installed in mezzanine slot 1 for FDR mode and may be installed in any mezzanine slot if operated in any other mode.

QuickSpecs

Core Options

HPE InfiniBand FDR 2-port 545M Adapter 702213-B21

NOTE: InfiniBand QDR and FDR speeds are only supported on the HPE BladeSystem c7000 Enclosure. For additional information, please see the HPE BladeSystem c7000 Enclosure and InfiniBand QuickSpecs at:

<https://www.hpe.com/h20195/v2/GetHTML.aspx?docname=c04126044>

<https://www.hpe.com/h20195/v2/GetHTML.aspx?docname=c04154440>

HPE Fibre Channel HPE LPe1605 16Gb Fibre Channel HBA for BladeSystem c-Class 718203-B21
NOTE:NOTE: Please see QuickSpecs for technical specifications and additional information at: <https://www.hpe.com/h20195/v2/GetHTML.aspx?docname=c04315132>

HPE LPe1205A 8Gb Fibre Channel Host Bus Adapter for BladeSystem c-Class 659818-B21
NOTE:NOTE: This is a Type A mezzanine card that can be installed in any of the BL660c Gen8 mezzanine slots.
NOTE:NOTE: Please see QuickSpecs for technical specifications and additional information at http://h18000.www1.hp.com/products/QuickSpecs/14338_div/14338_div.html

HPE QMH2572 8Gb Fibre Channel Host Bus Adapter for BladeSystem c-Class 651281-B21
NOTE:NOTE: This is a Type A mezzanine card that can be installed in any of the BL660c Gen8 mezzanine slots.
NOTE:NOTE: Please see QuickSpecs for technical specifications and additional information at <https://www.hpe.com/h20195/v2/GetHTML.aspx?docname=c04126040>

HPE QMH2672 16Gb Fibre Channel Host Bus Adapter 710608-B21
NOTE:NOTE: This is a Type A mezzanine card that can be installed in any of the BL660c Gen8 mezzanine slots.

NOTE: Please see QuickSpecs for technical specifications and additional information at: <https://www.hpe.com/h20195/v2/GetHTML.aspx?docname=c04126962>

HPE Processors **NOTE:** The BL660c Gen8 supports two or four processors; one and three processor configurations are not supported.
NOTE: All processor kits contain two (2) processors.
NOTE: All processors within the server must be identical.
NOTE: The processor model as well as the memory configuration determines the maximum speed memory can operate. Please see the see the "Memory" section later in this document.
NOTE: Intel® Hyper Threading is supported on all processors except E5-4617 and E5-4627 v2.

E5-4600 v2 series Processors

HP BL660c Gen8 Intel Xeon E5-4657Lv2 (2.4GHz/12-core/30MB/115W) 2-processor Kit 727590-B21

HP BL660c Gen8 Intel Xeon E5-4650v2 (2.4GHz/10-core/25MB/95W) 2-processor Kit 727576-B21

HP BL660c Gen8 Intel Xeon E5-4640v2 (2.2GHz/10-core/20MB/95W) 2-processor Kit 727578-B21

QuickSpecs

Core Options

HP BL660c Gen8 Intel Xeon E5-4627v2 (3.3GHz/8-core/16MB/130W) 2-processor Kit	727588-B21
HP BL660c Gen8 Intel Xeon E5-4620v2 (2.6GHz/8-core/20MB/95W) 2-processor Kit	727580-B21
HP BL660c Gen8 Intel Xeon E5-4610v2 (2.3GHz/8-core/16MB/95W) 2-processor Kit	727582-B21
HP BL660c Gen8 Intel Xeon E5-4607v2 (2.6GHz/6-core/15MB/95W) 2-processor Kit	727584-B21
HP BL660c Gen8 Intel Xeon E5-4603v2 (2.2GHz/4-core/10MB/95W) 2-processor Kit	727586-B21

E5-4600 series Processors

HPE BL660c Gen8 Intel Xeon E5-4650 (2.7GHz/8-core/20MB/130W) 2-processor Kit	679098-B21
HP BL660c Gen8 Intel Xeon E5-4650L (2.6GHz/8-core/20MB/115W) 2-processor Kit	679110-B21
HP BL660c Gen8 Intel Xeon E5-4640 (2.4GHz/8-core/20MB/95W) 2-processor Kit	679100-B21
HP BL660c Gen8 Intel Xeon E5-4620 (2.2GHz/8-core/16MB/95W) 2-processor Kit	679102-B21
HP BL660c Gen8 Intel Xeon E5-4617 (2.9GHz/6-core/15MB/130W) 2-processor Kit	679112-B21
HP BL660c Gen8 Intel Xeon E5-4610 (2.4GHz/6-core/15MB/95W) 2-processor Kit	679104-B21
HP BL660c Gen8 Intel Xeon E5-4607 (2.2GHz/6-core/12MB/95W) 2-processor Kit	679106-B21
HP BL660c Gen8 Intel Xeon E5-4603 (2.0GHz/4-core/10MB/95W) 2-processor Kit	679108-B21

HPE Memory

NOTE: HPE memory from previous generation servers are not qualified or warranted with this HPE ProLiant Server. HPE SmartMemory is required to realize the memory performance improvements and enhanced functionality listed in this document. For additional information, please see the HPE SmartMemory QuickSpecs at: http://h18000.www1.hp.com/products/QuickSpecs/14225_div/14225_div.html

NOTE: LRDIMMs and RDIMMs are all distinct memory technologies and cannot be mixed within a server.

NOTE: A minimum of one DIMM is required per processor.

NOTE: For additional memory rules and guidelines, see the "Memory" section later in this document.

HPE SmartMemory

Registered DIMMs (RDIMMs) - E5-4600 v2 series Processors

HP 4GB (1x4GB) Single Rank x4 PC3L-12800R (DDR3-1600) Registered CAS-11 Low Voltage Memory Kit	713981-B21
HP 4GB (1x4GB) Single Rank x4 PC3-14900R (DDR3-1866) Registered CAS-13 Memory Kit	708637-B21
HPE 8GB (1x8GB) Single Rank x4 PC3L-12800R (DDR3-1600) Registered CAS-11 Low Voltage Memory Kit	731765-B21

QuickSpecs

Core Options

HPE 8GB (1x8GB) Single Rank x4 PC3-14900R (DDR3-1866) Registered CAS-13 Memory Kit 731761-B21

HPE 16GB (1x16GB) Dual Rank x4 PC3L-12800R (DDR3-1600) Registered CAS-11 Low Voltage Memory Kit 713985-B21

HPE 16GB (1x16GB) Dual Rank x4 PC3-14900R (DDR3-1866) Registered CAS-13 Memory Kit 708641-B21

Registered DIMMs (RDIMMs) - E5-4600 series Processors

HP 4GB (1x4GB) Single Rank x4 PC3L-10600 (DDR3-1333) Registered CAS-9 Low Voltage Memory Kit 647893-B21

HPE 4GB (1x4GB) Single Rank x4 PC3-12800 (DDR3-1600) Registered CAS-11 Memory Kit 647895-B21

HP 8GB (1x8GB) Dual Rank x4 PC3L-10600 (DDR3-1333) Registered CAS-9 LP Memory Kit 647897-B21

HPE 8GB (1x8GB) Single Rank x4 PC3-12800 (DDR3-1600) Registered CAS-11 Memory Kit 647899-B21

HP 8GB (1x8GB) Dual Rank x4 PC3-12800R (DDR3-1600) Registered CAS-11 Memory Kit 690802-B21

HPE 16GB (1x16GB) Dual Rank x4 PC3L-10600 (DDR3-1333) Registered CAS-9 LP Memory Kit 647901-B21

HPE 16GB (1x16GB) Dual Rank x4 PC3-12800R (DDR3-1600) Registered CAS-11 Memory Kit 672631-B21

HP 24GB (1x24GB) Three Rank x4 PC3L-10600R (DDR3-1333) Registered CAS-9 LV Memory Kit 761501-B21

NOTE: When HPE 24GB (1x24GB) Three Rank x4 PC3L-10600R (DDR3-1333) Registered CAS-9 Low Voltage FIO Memory Kits are used, all DIMM slots for the associated processor sockets must be fully populated with these 24GB DIMMs. If two processor sockets are populated, all 16 DIMM slots must be populated with 24GB DIMMs. If all four processor sockets are populated, all 32 DIMM slots must be populated with 24GB DIMMs.

Load Reduced DIMMs (LRDIMMs) - E5-4600 v2 series Processors

HPE 32GB (1x32GB) Quad Rank x4 PC3-14900L (DDR3-1866) Load Reduced CAS-13 Memory Kit 708643-B21

Load Reduced DIMMs (LRDIMMs) - E5-4600 series Processors

HP 32GB (1x32GB) Quad Rank x4 PC3L-10600 (DDR3-1333) LRDIMM CAS-9 LP Memory Kit 647903-B21

HPE Hard Drives

NOTE: The ProLiant BL660c Gen8 server includes the new HPE hot-plug small form

QuickSpecs

Core Options

factor (SFF) SmartDrive carrier for enhanced management and reduced maintenance errors. HPE drives from previous generation servers are not compatible with the BL660c Gen8 drive bays.

NOTE: HPE hard drives have either a one year or three year warranty; refer to the specific hard drive QuickSpecs for details.

NOTE: The hard drive options are not required when configuring a drive-less model.

NOTE: The mixing of standard SAS drives with SAS SSD drives is supported within the server, but limits the RAID configuration to two separate RAID 0 volumes. Mixing of other drives types is not supported.

HPE SAS Hot Plug SmartDrive Carriers for Gen8 Servers only

6G SAS Hot Plug with SmartDrive SFF (2.5-inch) Enterprise Drives

HP 1.2TB 6G SAS 10K rpm SFF (2.5-inch) SC Dual Port Enterprise 3yr Warranty Hard Drive	718162-B21
HP 900GB 6G SAS 10K rpm SFF (2.5-inch) SC Enterprise 3yr Warranty Hard Drive	652589-B21
HP 600GB 6G SAS 10K rpm SFF (2.5-inch) SC Enterprise 3yr Warranty Hard Drive	652583-B21
HP 450GB 6G SAS 10K rpm SFF (2.5-inch) SC Enterprise 3yr Warranty Hard Drive	652572-B21
HP 300GB 6G SAS 10K rpm SFF (2.5-inch) SC Enterprise 3yr Warranty Hard Drive	652564-B21
HP 300GB 6G SAS 15K rpm SFF (2.5-inch) SC Enterprise 3yr Warranty Hard Drive	652611-B21
HP 146GB 6G SAS 15K rpm SFF (2.5-inch) SC Enterprise 3yr Warranty Hard Drive	652605-B21
HPE 600GB SAS 12G Enterprise 15K SFF (2.5in) SC 3yr Wty HDD	759212-B21
HPE 450GB SAS 12G Enterprise 15K SFF (2.5in) SC 3yr Wty HDD	759210-B21
HPE 300GB SAS 12G Enterprise 15K SFF (2.5in) SC 3yr Wty HDD	759208-B21

6G SAS Hot Plug SmartDrive SFF (2.5-inch) Midline Drives

HPE 1TB 6G SAS 7.2K rpm SFF (2.5-inch) SC Midline 1yr Warranty Hard Drive	652749-B21
HPE 500GB 6G SAS 7.2K rpm SFF (2.5-inch) SC Midline 1yr Warranty Hard Drive	652745-B21
NOTE:NOTE: Please see QuickSpecs for technical specifications and additional information at https://www.hpe.com/h20195/v2/GetHTML.aspx?docname=c04111744 .	

12G SAS (2.5-inch) 512e SC HDD

HPE 600GB SAS 12G Enterprise 15K SFF (2.5in) SC 3yr Wty 512e HDD	748387-B21
HPE 1TB SAS 12G Midline 7.2K SFF (2.5in) SC 1yr Wty 512e Digitally Signed Firmware HDD	765464-B21
HPE 1.8TB SAS 12G Enterprise 10K SFF (2.5in) SC 3yr Wty 512e HDD	791034-B21
HPE 2TB SAS 12G Midline 7.2K SFF (2.5in) SC 1yr Wty 512e HDD	765466-B21

6G SATA Hot Plug with SmartDrive SFF (2.5-inch) Midline (MDL) Drives

HPE 1TB SATA 6G Midline 7.2K SFF (2.5in) SC 1yr Wty Digitally Signed Firmware HDD	655710-B21
HPE 500GB 6G SATA 7.2K rpm SFF (2.5-inch) SC Midline 1yr Warranty Hard Drive	655708-B21

QuickSpecs

Core Options

NOTE:NOTE: Please see the QuickSpecs for technical specifications and additional information at <https://www.hpe.com/h20195/v2/GetHTML.aspx?docname=c04111725>.

6G SATA (2.5-inch) 512e SC HDD

HPE 1TB SATA 6G Midline 7.2K SFF (2.5in) SC 1yr Wty 512e Digitally Signed Firmware HDD	765453-B21
HPE 2TB SATA 6G Midline 7.2K SFF (2.5in) SC 1yr Wty 512e Digitally Signed Firmware HDD	765455-B21

6G SATA 2.5in WI-PLP SC SSD

HPE 1.2TB SATA 6G Write Intensive SFF (2.5in) SC 3yr Wty SSD	804677-B21
HPE 800GB SATA 6G Write Intensive SFF (2.5in) SC 3yr Wty SSD	804671-B21
HPE 400GB SATA 6G Write Intensive SFF (2.5in) SC 3yr Wty SSD	804665-B21
HPE 200GB SATA 6G Write Intensive SFF (2.5in) SC 3yr Wty SSD	804639-B21

6G SATA 2.5in MU-PLP SC SSD

HPE 1.6TB SATA 6G Mixed Use SFF (2.5in) SC 3yr Wty SSD	804631-B21
HPE 800GB SATA 6G Mixed Use SFF (2.5in) SC 3yr Wty SSD	804625-B21
HPE 480GB SATA 6G Mixed Use SFF (2.5in) SC 3yr Wty SSD	832414-B21
HPE 200GB SATA 6G Mixed Use SFF (2.5in) SC 3yr Wty SSD	804613-B21

6G SATA (2.5in) RI-PLP SC SSD

HPE 1.6TB SATA 6G Read Intensive SFF (2.5in) SC 3yr Wty SSD	804605-B21
HPE 800GB SATA 6G Read Intensive SFF (2.5in) SC 3yr Wty SSD	804599-B21
HPE 480GB SATA 6G Read Intensive SFF (2.5in) SC 3yr Wty SSD	804593-B21
HPE 240GB SATA 6G Read Intensive SFF (2.5in) SC 3yr Wty SSD	804587-B21
HPE 120GB SATA 6G Read Intensive SFF (2.5in) SC 3yr Wty SSD	804581-B21
HPE 80GB SATA 6G Read Intensive SFF (2.5in) SC 3yr Wty SSD	804575-B21

6G SATA SFF (2.5in) RI-1 SC SSD

HPE 120GB 6G SATA Read Intensive-1 SFF 2.5-in SC 3yr Wty Solid State Drive	838404-B21
HPE 240GB 6G SATA Read Intensive-1 SFF 2.5-in SC 3yr Wty Solid State Drive	838406-B21

QuickSpecs

Core Options

HPE 480GB 6G SATA Read Intensive-1 SFF 2.5-in SC 3yr Wty Solid State Drive 838408-B21

HPE 960GB 6G SATA Read Intensive-1 SFF 2.5-in SC 3yr Wty Solid State Drive 838410-B21

HPE 1.92TB 6G SATA Read Intensive-1 SFF 2.5-in SC 3yr Wty Solid State Drive 838412-B21

6G SATA 2.5in SFF RI-3 SC SSD

HPE 3.84TB SATA 6G Read Intensive SFF (2.5in) SC 3yr Wty SSD 816929-B21

HPE 1.92TB SATA 6G Read Intensive SFF (2.5in) SC 3yr Wty SSD 816919-B21

HPE 960GB SATA 6G Read Intensive SFF (2.5in) SC 3yr Wty SSD 816909-B21

HPE 480GB SATA 6G Read Intensive SFF (2.5in) SC 3yr Wty SSD 816899-B21

HPE 240GB SATA 6G Read Intensive SFF (2.5in) SC 3yr Wty SSD 816889-B21

HPE 120GB SATA 6G Read Intensive SFF (2.5in) SC 3yr Wty SSD 816879-B21

6G SATA 2.5in SFF MU-3 SC SSD

HPE 1.92TB SATA 6G Mixed Use SFF (2.5in) SC 3yr Wty SSD 817011-B21

HPE 960GB SATA 6G Mixed Use SFF (2.5in) SC 3yr Wty SSD 816995-B21

HPE 480GB SATA 6G Mixed Use SFF (2.5in) SC 3yr Wty SSD 816985-B21

HPE 240GB SATA 6G Mixed Use SFF (2.5in) SC 3yr Wty SSD 816975-B21

HPE 120GB SATA 6G Mixed Use SFF (2.5in) SC 3yr Wty SSD 816965-B21

12G SAS Hot Plug SFF (2.5-inch) SC ENT HDD

HPE 1.2TB SAS 12G Enterprise 10K SFF (2.5in) SC 3yr Wty HDD 781518-B21

HPE 900GB SAS 12G Enterprise 10K SFF (2.5in) SC 3yr Wty HDD 785069-B21

HPE 600GB SAS 12G Enterprise 10K SFF (2.5in) SC 3yr Wty HDD 781516-B21

HPE 300GB SAS 12G Enterprise 10K SFF (2.5in) SC 3yr Wty HDD 785067-B21

12G SAS SFF (2.5in) RI-3 SC SSD

HPE 3.84TB SAS 12G Read Intensive SFF (2.5in) SC 3yr Wty SSD 816576-B21

HPE 1.92TB SAS 12G Read Intensive SFF (2.5in) SC 3yr Wty SSD 816572-B21

HPE 960GB SAS 12G Read Intensive SFF (2.5in) SC 3yr Wty SSD 816568-B21

QuickSpecs

Core Options

HPE 480GB SAS 12G Read Intensive SFF (2.5in) SC 3yr Wty SSD 816562-B21

12G SAS SFF (2.5in) MU-3 SC SSD

HPE 3.2TB SAS 12G Mixed Use SFF (2.5in) SC 3yr Wty SSD 822567-B21

HPE 1.6TB SAS 12G Mixed Use SFF (2.5in) SC 3yr Wty SSD 822563-B21

HPE 800GB SAS 12G Mixed Use SFF (2.5in) SC 3yr Wty SSD 822559-B21

HPE 400GB SAS 12G Mixed Use SFF (2.5in) SC 3yr Wty SSD 822555-B21

12G SAS Mainstream Endurance Hot Plug SFF (2.5-inch) Enterprise Mainstream H2 Solid State Drives

HPE 200GB SAS 12G Write Intensive SFF (2.5in) SC 3yr Wty SSD 779164-B21

HPE 400GB SAS 12G Write Intensive SFF (2.5in) SC 3yr Wty SSD 779168-B21

HPE 800GB SAS 12G Write Intensive SFF (2.5in) SC 3yr Wty SSD 779172-B21

HPE 1.6TB SAS 12G Write Intensive SFF (2.5in) SC 3yr Wty SSD 779176-B21

12G SAS Value Endurance SFF (2.5-inch) SC Enterprise Value Solid State Drives

HP 1.6TB 6G SATA Value Endurance SFF 2.5-in SC Enterprise Value 3yr Wty Solid State Drive 757339-B21

HP 1.6TB 12G SAS Value Endurance SFF 2.5-in SC Enterprise Value 3yr Wty Solid State Drive 762263-B21

HPE 800GB SAS 12G Read Intensive SFF (2.5in) SC 3yr Wty SSD 762261-B21

6G SATA Read Intensive (2.5-inch) SC G2 Solid State Drive

HP 480GB 6G SATA Read Intensive SFF 2.5-in SC 3yr Wty Solid State Drive 789145-B21

6G SATA Value Endurance Hot Plug SFF (2.5-inch) Enterprise Boot Solid State Drives

HP 120GB 6G SATA Value Endurance SFF 2.5-in SC Enterprise Boot 3yr Wty Solid State Drive 717965-B21

NOTE: This drive supports Gen8 servers only.

HP 80GB 6G SATA Value Endurance SFF 2.5-in SC Enterprise Boot 3yr Wty Solid State Drive 734360-B21

6G SATA Value Endurance Hot Plug SFF (2.5-inch) Enterprise Value Solid State Drives

HP 800GB 6G SATA Value Endurance SFF 2.5-in SC Enterprise Value 3yr Wty Solid State Drive 717973-B21

NOTE: This drive supports Gen8 servers only.

HP 480GB 6G SATA Value Endurance SFF 2.5-in SC Enterprise Value 3yr Wty Solid State Drive 717971-B21

QuickSpecs

Core Options

Drive

NOTE: This drive supports Gen8 servers only.

HP 240GB 6G SATA Value Endurance SFF 2.5-in SC Enterprise Value 3yr Wty Solid State Drive 717969-B21

NOTE: This drive supports Gen8 servers only.

NOTE: Please see the QuickSpecs for technical specifications and information at: <https://www.hpe.com/h20195/v2/GetHTML.aspx?docname=c04154378>.

6G SATA Value Endurance Hot Plug SFF (2.5-inch) Enterprise Value M1 Solid State Drives

HPE 120GB SATA 6G Read Intensive SFF (2.5in) SC 3yr Wty SSD 764923-B21

HPE 240GB SATA 6G Read Intensive SFF (2.5in) SC 3yr Wty SSD 764925-B21

HPE 480GB SATA 6G Read Intensive SFF (2.5in) SC 3yr Wty SSD 764927-B21

HPE 800GB SATA 6G Read Intensive SFF (2.5in) SC 3yr Wty SSD 764929-B21

6G SATA VE Hot Plug SFF(2.5-inch) SC EV G1 Solid State Drives

HP 480GB 6G SATA Value Endurance SFF 2.5-in SC Enterprise Value 3yr Wty G1 Solid State Drive 756657-B21

HP 240GB 6G SATA Value Endurance SFF 2.5-in SC Enterprise Value 3yr Wty G1 Solid State Drive 756636-B21

HP 120GB 6G SATA Value Endurance SFF 2.5-in SC Enterprise Value 3yr Wty G1 Solid State Drive 756621-B21

6G SATA Value Endurance Hot Plug SFF (2.5-inch) Enterprise Value Boot Solid State Drives

HP 600GB 6G SATA Value Endurance SFF 2.5-in SC Enterprise Value 3yr Wty Solid State Drive 739898-B21

HP 300GB 6G SATA Value Endurance SFF 2.5-in SC Enterprise Value 3yr Wty Solid State Drive 739888-B21

6G SATA ME Hot Plug SFF (2.5-inch) Enterprise Mainstream Solid State Drives

HP 800GB 6G SATA Mainstream Endurance SFF 2.5-in SC Enterprise Mainstream 3yr Wty Solid State Drive 691868-B21

HP 400GB 6G SATA Mainstream Endurance SFF 2.5-in SC Enterprise Mainstream 3yr Wty Solid State Drive 691866-B21

HP 100GB 6G SATA Mainstream Endurance SFF 2.5-in SC Enterprise Mainstream 3yr Wty Solid State Drive 691862-B21

12G SAS Write Intensive SFF (2.5-inch) SC 3yr Wty H2 Solid State Drive

HPE 200GB SAS 12G Write Intensive SFF (2.5in) SC 3yr Wty SSD 802578-B21

HPE 400GB SAS 12G Write Intensive SFF (2.5in) SC 3yr Wty SSD 802582-B21

HPE 800GB SAS 12G Write Intensive SFF (2.5in) SC 3yr Wty SSD 802586-B21

QuickSpecs

Core Options

HPE 1.92TB SAS 12G Read Intensive SFF (2.5in) SC 3yr Wty SSD

802891-B21

QuickSpecs

Additional Options

HPE Insight Software

HPE Insight Control

HPE Insight Control including 1yr 24x7 Technical Support and Updates 1-server LTU	C6N27A
HPE Insight Control including 1yr 24x7 TSU E-LTU	C6N28ABE
HPE Insight Control including 1yr 24x7 Support ProLiant ML/DL/BL-bundle FIO E-LTU	C6N36ABE
HP Insight Control Server Provisioning Media Kit	BD883A
HPE Insight Management Media Kit	C6N31A

NOTE: HPE Insight Management Media Kit contains DVDs without licenses. Contains HPE Systems Insight Manager, HPE Insight Control, HPE Matrix Operating Environment, and Virtual Connect Enterprise Manager software. Uses an integrated installer to perform quick and accurate software installation and updates.

NOTE: HPE Insight Control 7.2 introduces Insight Control server provisioning, a new capability ideal for multi-server OS and firmware provisioning to ProLiant and BladeSystem servers. Insight Control server provisioning is included and licensed as part of HPE Insight Control. A media kit, "HPE Insight Control server provisioning USB media kit" (# BD883A), including a USB, is available for customers who require a physical copy of the media loaded with Insight Control server provisioning software. Please note that this media kit is separate and in addition to the "HPE Insight Management DVD media kit" (#C6N31A).

NOTE: Electronic and Flexible-Quantity licenses can be used to purchase multiple licenses with a single activation key.

NOTE: Customer will receive a license entitlement certificate. The license entitlement certificate must be redeemed online or via fax in order to obtain the license activation key(s). Includes one year of 24 x 7 HPE Software Technical Support and Update Service.

NOTE: Licenses ship without media. The HPE Insight Management Media Kit can be ordered separately, or can be downloaded at: <http://www.hp.com/go/insightupdates>.

NOTE: For additional license options please see the Insight Control QuickSpecs at: <https://www.hpe.com/h20195/v2/GetHTML.aspx?docname=c04123391>

Converged Infrastructure Management Software

HPE OneView

HPE OneView with iLO Advanced

HPE OneView including 3yr 24x7 Support Physical 1-server LTU	E5Y34A
HPE OneView including 3yr 24x7 Support Flexible Quantity E-LTU	E5Y35AAE
HPE OneView Physical Media Kit LTU	E5Y37A
HPE OneView w/o iLO including 3yr 24x7 Support 1-server LTU	P8B24A

QuickSpecs

Additional Options

HPE OneView w/o iLO including 3yr 24x7 Support Flexible Quantity E-LTU P8B26AAE

HPE OneView w/o iLO including 3yr 24x7 Support 1-server FIO LTU P8B31A

NOTE: For additional license kits please see the QuickSpecs at <https://www.hpe.com/h20195/v2/GetHTML.aspx?docname=c04111367>.

Cloud Management Software Helion Software

HPE Helion OpenStack

HPE Helion OpenStack 5yr 9x5 Support RTU P9A13A
 HPE Helion OpenStack 5yr 9x5 Support E-RTU P9A13AAE
 HPE Helion OpenStack 5yr 24x7 Support RTU P9A14A
 HPE Helion OpenStack 5yr 24x7 Support E-RTU P9A14AAE

HPE Helion Platform

HPE Helion Platform 5yr 9x5 Support RTU P9A15A
 HPE Helion Platform 5yr 9x5 Support E-RTU P9A15AAE
 HPE Helion Platform 5yr 24x7 Support RTU P9A16A
 HPE Helion Platform 5yr 24x7 Support E-RTU P9A16AAE

HPE Helion Dev Plat

HPE Helion Development Platform 5yr 9x5 Support RTU P9A17A
 HPE Helion Development Platform 5yr 9x5 Support E-RTU P9A17AAE
 HPE Helion Development Platform 5yr 24x7 Support RTU P9A18A
 HPE Helion Development Platform 5yr 24x7 Support E-RTU P9A18AAE

NOTE: For additional information on HPE Helion Portfolio please go to: <http://www8.hp.com/us/en/cloud/helion-portfolio.html#!&pd1=2&pd3=2&pd5=2>

Volume Software Options Vertica for Hadoop

HPE Vertica for SQL on Hadoop 1-node 1yr Subscription 24x7 Support E-LTU P9J18AAE

HPE iLO Advanced License HPE Integrated Lights-Out (iLO) Advanced for ProLiant BladeSystem Remote Management

HPE iLO Advanced for BladeSystem including 3yr 24x7 Technical Support and Updates E-LTU E6U63ABE

HPE iLO Advanced for BladeSystem including 3yr 24x7 Tech Support and Updates 1-server LTU BD502A

HPE iLO Advanced for BladeSystem including 1yr 24x7 Technical Support and Updates E-LTU E6U60ABE

HPE iLO Advanced for BladeSystem including 1yr 24x7 Support 1-server LTU 512488-B21

HPE iLO Advanced for BladeSystem including 1yr 24x7 Support 8-server LTU 512489-B21

QuickSpecs

Additional Options

HPE Integrated Lights-Out (iLO)

HPE iLO Scale Out

HPE iLO Scale-Out 3yr 24x7 Tech Support and Updates Flexible Quantity LTU	BD776A
HPE iLO Scale-Out 1yr 24x7 Tech Support and Updates Flexible Quantity LTU	BD778A
HPE iLO Scale-Out including 3yr 24x7 Tech Support and Updates Flex Qty E-LTU	BD776AAE
HPE iLO Scale-Out including 1yr 24x7 Tech Support and Updates Flex Qty E-LTU	BD778AAE
HPE iLO Scale-Out including 3yr 24x7 Tech Support and Updates Tracking LTU	BD777A
HPE iLO Scale-Out including 1yr 24x7 Tech Support and Updates Tracking LTU	BD779A

NOTE: Customer will receive a license entitlement certificate, which must be redeemed online or via fax in order to obtain the license activation key(s). Includes one or three years of 24 x 7 HPE Software Technical Support Service.

NOTE: For additional license kits, including electronic delivery options, please see the iLO QuickSpecs at <http://www.hp.com/go/iLO>

High Performance Clusters

HPE Cluster Management Utility

HPE Insight Cluster Management Utility 1yr 24x7 Flexible LTU	QL803B
HPE Insight Cluster Management Utility 3yr 24x7 Flexible LTU	BD476A
NOTE:NOTE: These part numbers can be used to purchase one certificate for multiple licenses and support with a single activation key. Each license is for one node (server). Customer will receive a printed end user license agreement and license entitlement certificate via physical shipment. The license entitlement certificate must be redeemed online in order to obtain a license key. Customer also will receive a support agreement.	
HPE Insight Cluster Management Utility Media	BD477A
NOTE:NOTE: For additional license kits please see the QuickSpecs at https://www.hpe.com/h20195/v2/GetHTML.aspx?docname=c04111735 .	

HPE I/O Accelerator Options

NOTE: The HPE I/O Accelerator Options are Type B mezzanine cards that can be installed in BL660c Gen8 mezzanine slots 2 and 3.

HPE 1.2TB Read Intensive Mezzanine PCIe Workload Accelerator for BladeSystem c-Class	794603-B21
HPE 1.6TB Read Intensive Mezzanine PCIe Workload Accelerator for BladeSystem c-Class	794605-B21

HPE Security

HPE Trusted Platform Module Option	488069-B21
------------------------------------	------------

NOTE: The TPM (Trusted Platform Module) is a microcontroller chip that can securely

QuickSpecs

Additional Options

store artifacts used to authenticate the server platform. These artifacts can include passwords, certificates and encryption keys. Windows® BitLocker™ Drive Encryption (BitLocker) is a data protection feature available in Windows Server® 2008. BitLocker leverages the enhanced security capabilities of a Trusted Platform Module (TPM) version 1.2. The TPM works with BitLocker to help protect user data and to ensure that a server running Windows Server 2008 has not been tampered with while the system was offline.

NOTE: For more information about TPM, including a white paper, go to <https://www.hpe.com/h20195/v2/getpdf.aspx/4aa5-4782enw.pdf?ver=3.0>.

NOTE: ProLiant OS pre-installed units will come with the partition required for TPM deployment.

NOTE: The TPM key is unique to every TPM deployed server and must be retained. Misplacing or losing the key could result in data loss.

HPE Storage Controller

HPE Smart Array P721m Controller

NOTE: The HPE Smart Array P721m Controller is a Type B mezzanine card that can be installed in BL660c Gen8 mezzanine slots 2 and 3.

NOTE: The BL660 has three installation locations for the "capacitor pack" that comes with the FBWC on Smart Array controllers. The first install location is for the embedded Smart Array P220i Controller. The second install location is for an optional Smart Array controller Type A or B mezzanine card with FBWC installed in mezzanine slot 3. The third install location is for an optional Smart Array controller mezzanine card with FBWC installed in either mezzanine slot 1 (Type A only) or slot 2 (Type A or B).

HP Smart Array P721m/2GB FBWC 6Gb 4-ports Ext Mezzanine SAS Controller

650072-B21

HP Smart Array P721m/512 FBWC 6Gb 4-ports Ext Mezzanine SAS Controller

655636-B21

NOTE: For additional information, please see the HPE BladeSystem c7000 Enclosure and InfiniBand QuickSpecs at:

<https://www.hpe.com/h20195/v2/GetHTML.aspx?docname=c04111381>.

(Smart Array P731m Controller)

<https://www.hpe.com/h20195/v2/GetHTML.aspx?docname=c04111449>.

(Smart Array P721M Controller)

HPE InfiniBand Mezzanines

NOTE: When an InfiniBand adapter is installed in mezzanine slot 1, only one port is active (regardless of operating mode). When installed in any other mezzanine slot, both ports are active.

NOTE: InfiniBand QDR and FDR speeds are only supported on the HPE BladeSystem c7000 Enclosure. For additional information, please see the HPE BladeSystem c7000 Enclosure and InfiniBand QuickSpecs at:

<https://www.hpe.com/h20195/v2/GetHTML.aspx?docname=c04126044>

<https://www.hpe.com/h20195/v2/GetHTML.aspx?docname=c04154440>

HPE InfiniBand FDR 2-port 545M Adapter

702213-B21

HP InfiniBand QDR/EN 10Gb Dual Port 544M Adapter

644160-B21

NOTE:NOTE: The QDR InfiniBand adapter may be installed in any mezzanine slot of the server.

QuickSpecs

Additional Options

HP InfiniBand FDR/EN 10/40Gb Dual Port 544M Adapter 644161-B22
NOTE:NOTE: The FDR InfiniBand adapter must be installed in mezzanine slot 1 for FDR mode and may be installed in any mezzanine slot if operated in any other mode.

NOTE: InfiniBand QDR and FDR speeds are only supported on the HPE BladeSystem c7000 Enclosure. For additional information, please see the HPE BladeSystem c7000 Enclosure and InfiniBand QuickSpecs at:
<https://www.hpe.com/h20195/v2/GetHTML.aspx?docname=c04126044>
<https://www.hpe.com/h20195/v2/GetHTML.aspx?docname=c04154440>

HPE Ultrium Tape Blades **NOTE:** The ProLiant BL660c Gen8 supports up to two expansion blades (Ultrium Tape Blade(s), HPE D2200sb/D2220sb Storage Blade(s), and/or PCI Expansion Blade(s)) that directly connect to the server via the enclosure midplane.

NOTE: For the above Ultrium tape drives, please see the QuickSpecs for technical specifications and additional information at:
<https://www.hpe.com/h20195/v2/GetHTML.aspx?docname=c04154444>

HP StoreEver LTO-5 Ultrium SB3000c Tape Blade BS580B
NOTE: LTO-5 Ultrium tape technology.

HPE Storage Blades **NOTE:** The ProLiant BL660c Gen8 supports up to two expansion blades (Ultrium Tape Blade(s), HPE D2200sb/D2220sb Storage Blade(s), and/or PCI Expansion Blade(s) that directly connect to the server via the enclosure midplane

NOTE: Please see the QuickSpecs for technical specifications and additional information at: <http://h18006.www1.hp.com/storage/bladessystem/index.html>

HPE D2220sb Build-to-order Storage Blade QW917A

NOTE: For additional information, please see the QuickSpecs for technical specifications and additional information at:
<https://www.hpe.com/h20195/v2/GetHTML.aspx?docname=c04111399>

HPE Expansion Blade HPE BLc PCI Expansion Blade 448018-B21

NOTE: The PCI Expansion Blade provides PCI card slots for an adjacent c-Class Server Blade.

NOTE: The ProLiant BL660c Gen8 supports up to two expansion blades (Ultrium Tape Blade(s), HPE D2200sb/D2220sb Storage Blade(s), and/or PCI Expansion Blade(s) that directly connect to the server via the enclosure midplane.

NOTE: The PCI Expansion Blade ships with one pre-installed PCI-X connect board. Also includes one PCIe connect board which requires installation.

NOTE: Please see the QuickSpecs for technical specifications and additional information at
<https://www.hpe.com/h20195/v2/GetHTML.aspx?docname=c04123380>

HPE Flash Media Kits for USB **HPE Enterprise Mainstream Flash Media Kits for Memory Cards**
HPE 8GB USB Enterprise Mainstream Flash Media Drive Key Kit 737953-B21

QuickSpecs

Additional Options

Drives	HPE 8GB microSD Enterprise Mainstream Flash Media Kit	726116-B21
	HPE 32GB microSD Mainstream Flash Media Kit	700139-B21

HPE Pointnext operational services **Proactive Care** - Collaborative Support plus Proactive services delivered by the on shore/near shore Advanced Solution Center (ASC) and backed by the global delivery organization, end-to-end case ownership from a Technical Solution Specialists and Technical Account Manager who remotely delivers firmware/software revision management, proactive scans and incident trend reports. Recommended for customers running a virtualized infrastructure and/or customers who desire an enhanced call support experience.

HPE 3 year Proactive Care 24x7 ProLiant BL6xxc Service	U3B32E
HPE 3 year Proactive Care 24x7 with DMR ProLiant BL6xxc Service	U3B35E
HPE 3 year Proactive Care Call to Repair ProLiant BL6xxc Service	U3B38E
HPE 3 year Proactive Care Call to Repair 24x7 with DMR ProLiant BL6xxc Service	U3B41E

Proactive Care Personalized Support Environmental Option - to add an onsite Account Support Manager (ASM) to Proactive Care. ASM is an assigned resource who delivers support planning and brings technical expertise and best practices advice for the customer's environment.

Installation Services - reduce the time required to get your system up and running and help minimize disruptions to your business.

HPE Install c-Class Server Blade Service	UE493E
HPE Hardware Installation during Non Standard Hours c-Class Server Blade Service	UG869E

Additional HPE Pointnext operational services can be found at:
<http://www.hp.com/go/cpc>

QuickSpecs

Memory

For detailed memory configuration rules and guidelines, please use the Online DDR3 Memory Configuration Tool:
<http://www.hp.com/go/ddr3memory-configurator>

Memory Subsystem Architecture

Each Intel® Xeon® E5-4600 and E5-4600v2 family processor socket contains four memory channels that support two DIMMs each for a total of eight (8) DIMM per installed processor or a grand total of thirty-two (32) DIMMs for the server. Up to 32GB capacity DIMMs are supported for 1.0TB of memory (32 DIMM slots x 32GB per DIMM).

Memory Population Rules and Guidelines:

- A minimum of one DIMM is required per processor.
- Install DIMMs only if the corresponding processor is installed.
- DIMM slots attached to each processor socket are only available if a processor is installed in that socket.
- DIMM sizes can be mixed in channel. To maximize performance, it is recommended to balance the total memory capacity between all installed processors and to load the channels similarly whenever possible.
- RDIMMs operating at either 1.35V or 1.5V may be mixed in any order, but the system will power them at the higher voltage.
- LRDIMMs and RDIMMs are distinct memory technologies and cannot be mixed within a server.
- DIMMs of different speeds may be mixed in any order; the server will select a common optimal speed.
- The maximum memory speed is a function of the memory type, memory configuration, and processor model.
- The maximum memory capacity is a function of the memory type and number of installed processors.
- HPE memory from previous generation servers is not compatible with the BL660c Gen8 Server Blade.
- When HPE 24GB (1x24GB) Three Rank x4 PC3L-10600R (DDR3-1333) Registered CAS-9 Low Voltage FIO Memory Kits are used, all DIMM slots for the associated processor sockets on the BL660c Gen8 must be fully populated with these 24GB DIMMs. If two processor sockets are populated, all 16 DIMM slots for those sockets must be populated with 24GB DIMMs. If four processor sockets are populated, all 32 DIMM slots must be populated with 24GB DIMMs.
- To realize the performance memory capabilities listed in this document, HPE SmartMemory is required. For additional information, please see the HPE SmartMemory QuickSpecs at:
http://h18000.www1.hp.com/products/QuickSpecs/14225_div/14225_div.html
- For memory population rules and additional memory guidelines, please see the BL660c Gen8 user guide at
<http://www.hp.com/support>

BL660c Gen8 Supported Memory Bandwidth

DIMM Type	Registered DIMMS (RDIMMs)														Load Reduced (LRDIMMs)	
	Single Rank (1R)							Dual Rank (2R)							Three Rank (3R)	Quad Rank (4R)
DIMM Capacity	4GB	4GB	4GB	4GB	8GB	8GB	8GB	8GB	8GB	16GB	16GB	16GB	16GB	24GB	32GB	32GB
DIMM Native Speed (MHz)	1333	1600	1600	1866	1600	1600	1866	1333	1600	1333	1600	1600	1866	1333	1333	1866
Voltage*	LV	Std	LV	Std	Std	LV	Std	LV	Std	LV	Std	LV	Std	LV	LV	Std
* LV= low voltage at 1.35V; Std = standard voltage at 1.5V.																
Slots That Can Be Populated	32	32	32	32	32	32	32	32	32	32	32	32	32	32	32	32
Maximum Capacity	128	128	128	128	256	256	256	256	256	512	512	512	512	768	1024	1024

QuickSpecs

Memory

(GB)																	
Populated DIMM Speed (MHz)																	
1 DIMM Per Channel	1333	1600	1600	1866	1600	1600	1866	1333	1600	1333	1600	1600	1866	N/A	1333***	1866	
2 DIMM Per Channel	1333**	1600	1600	1866	1600	1600	1866	1333**	1600	1333**	1600	1600	1866	1333#	1333***	1866	
<p>** Using HPE SmartMemory, 1333MHz DIMMs operate at 1.35V for 2 DIMMs per channel (2DPC). Third party 1333MHz DIMM memory may only support 1.5V at 2DPC.</p> <p>*** LRDIMM enables 3 DIMMs per channel. HPE SmartMemory will support up to 3DPC@DDR3-1066 at 1.35V. Third party memory may only support 3DPC @DDR3-1066 at 1.5V.</p> <p># Only supported on BL460c and BL660c</p> <p>NOTE: Memory speed is a function of the processor QPI bus speed; see the table below "Memory Speed by Processor Model".</p>																	

Memory Speed by Processor Model

Processor Models

E5-4650v2, E5-4640v2, E5-4627v2, E5-4650Lv2
 E5-4620v2, E5-4610v2, E5-4650, E5-4650L, E5-4640, E5-4617
 E5-4607v2, E5-4603v2, E5-4620, E5-4617, E5-4610, E5-4607
 E5-4603, E5-4607

Supported Memory Speeds

1866/1600/1333/1066MHz
 1600/1333/1066MHz
 1333/1066MHz
 1066MHz

Standard and Maximum Memory Capacity (Pre-configured Models)

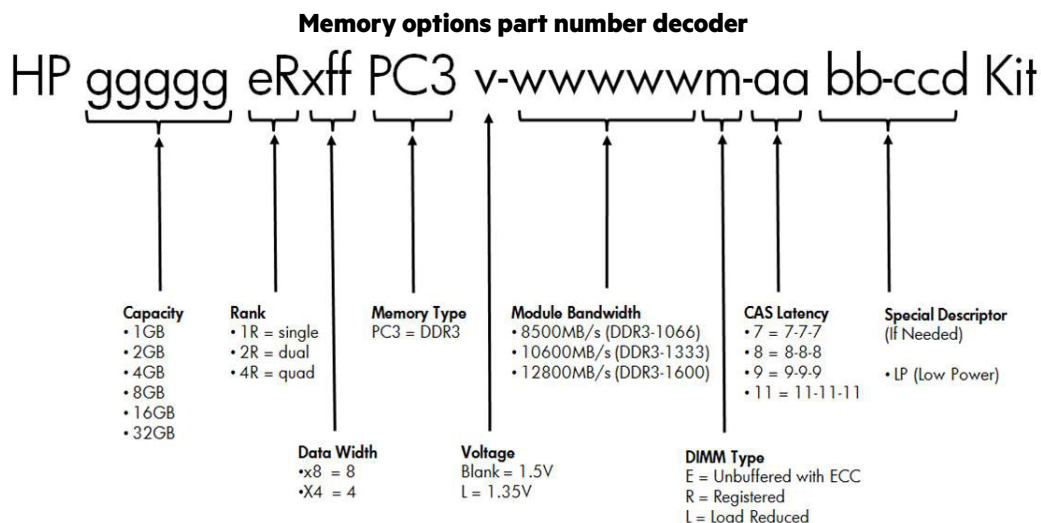
Pre Configured Models	Standard Memory	Maximum Memory Plus Optional Memory	Standard Memory Replaced with Optional Memory
Intel Xeon E5-4650v2, E5-4620v2	128GB (8x 16GB)	512GB (24x 16GB)	1024GB (32x 32GB)
Intel Xeon E5-4607v2	64GB (4x 16GB)	512GB (28x 16GB)	1024GB (32x 32GB)
Intel Xeon E5-4650, E5-4620, and E5-4617	128GB (16x 8GB)	384GB (16x 8GB + 16x 16GB)	1024GB (32x 32GB)

NOTE: Capacity references are rounded to the common gigabyte (GB) values.

- 4GB = 4,096MB
- 8GB = 8,192MB
- 16GB = 16,384MB
- 24GB = 24,576MB
- 32GB = 32,768MB

QuickSpecs

Memory



Following are memory options available from HP:

HPE Memory

NOTE: HPE memory from previous generation servers are not qualified or warranted with this HPE ProLiant Server. HPE SmartMemory is required to realize the memory performance improvements and enhanced functionality listed in this document for Gen8. For additional information, please see the HPE SmartMemory QuickSpecs at: http://h18000.www1.hp.com/products/QuickSpecs/14225_div/14225_div.html

NOTE: LRDIMM, RDIMM and UDIMMs are all distinct memory technologies and cannot be mixed within a server. The majority of ProLiant Gen8 servers support RDIMM, UDIMM and LRDIMM.

NOTE: A minimum of one DIMM is required per server.

NOTE: For additional memory rules and guidelines, see the "Memory" section later in this document.

HPE SmartMemory

Registered DIMMs (RDIMMs) - E5-4600v2 series Processors

HP 4GB (1x4GB) Single Rank x4 PC3L-12800R (DDR3-1600) Registered CAS-11 Low Voltage Memory Kit	713981-B21
HP 4GB (1x4GB) Single Rank x4 PC3-14900R (DDR3-1866) Registered CAS-13 Memory Kit	708637-B21
HPE 8GB (1x8GB) Single Rank x4 PC3L-12800R (DDR3-1600) Registered CAS-11 Low Voltage Memory Kit	731765-B21
HPE 8GB (1x8GB) Single Rank x4 PC3-14900R (DDR3-1866) Registered CAS-13 Memory Kit	731761-B21
HPE 16GB (1x16GB) Dual Rank x4 PC3L-12800R (DDR3-1600) Registered CAS-11 Low Voltage Memory Kit	713985-B21
HPE 16GB (1x16GB) Dual Rank x4 PC3-14900R (DDR3-1866) Registered CAS-13 Memory Kit	708641-B21

Registered DIMMs (RDIMMs) - E5-4600 series Processors

QuickSpecs

Memory

HP 4GB (1x4GB) Single Rank x4 PC3L-10600 (DDR3-1333) Registered CAS-9 Low Voltage Memory Kit	647893-B21
HPE 4GB (1x4GB) Single Rank x4 PC3-12800 (DDR3-1600) Registered CAS-11 Memory Kit	647895-B21
HP 8GB (1x8GB) Dual Rank x4 PC3L-10600 (DDR3-1333) Registered CAS-9 LP Memory Kit	647897-B21
HPE 8GB (1x8GB) Single Rank x4 PC3-12800 (DDR3-1600) Registered CAS-11 Memory Kit	647899-B21
HP 8GB (1x8GB) Dual Rank x4 PC3-12800R (DDR3-1600) Registered CAS-11 Memory Kit	690802-B21
HPE 16GB (1x16GB) Dual Rank x4 PC3L-10600 (DDR3-1333) Registered CAS-9 LP Memory Kit	647901-B21
HPE 16GB (1x16GB) Dual Rank x4 PC3-12800R (DDR3-1600) Registered CAS-11 Memory Kit	672631-B21
HP 24GB (1x24GB) Three Rank x4 PC3L-10600R (DDR3-1333) Registered CAS-9 LV Memory Kit	761501-B21

Load Reduced DIMMs (LRDIMMs) - E5-4600v2 series Processors

HPE 32GB (1x32GB) Quad Rank x4 PC3-14900L (DDR3-1866) Load Reduced CAS-13 Memory Kit	708643-B21
--	------------

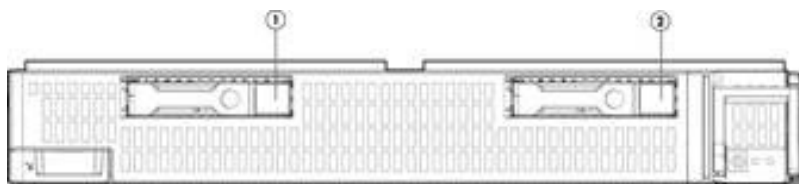
Load Reduced DIMMs (LRDIMMs) - E5-4600 series Processors

HP 32GB (1x32GB) Quad Rank x4 PC3L-10600 (DDR3-1333) LRDIMM CAS-9 LP Memory Kit	647903-B21
---	------------

NOTE: Depending on the memory configuration and processor model, 1600MHz and 1333MHz memory may operate at a lower speed. Please see the "Memory" section later in this document and the Online Memory Configuration Tool for details at <http://www.hp.com/go/ddr3memory-configurator>.

QuickSpecs

Storage



1-2. 2 x SFF hot-plug SAS, SATA, SAS SDD; and SATA SSD hard drives

Hard Drives

NOTE: The ProLiant BL660c Gen8 server includes the new HPE hot-plug small form factor (SFF) SmartDrive carrier for enhanced management and reduced maintenance errors. HPE drives from previous generation servers are not compatible with the BL660c Gen8 drive bays.

NOTE: Hard drives have either a one year or three year warranty; refer to the specific hard drive QuickSpecs for details.

NOTE: The hard drive options are not required when configuring a drive-less model.

NOTE: The mixing of standard SAS drives with SAS SSD drives is supported within the server, but limits the RAID configuration to two separate RAID 0 volumes. Mixing of other drives types is not supported.

SAS Hot Plug SmartDrive SFF (2.5-inch) Enterprise Drives

	Quantity Supported	Position Supported	Controller
1.2TB 6G SAS 10K	2	1-2	HPE Smart Array P220i Controller
900GB 6G SAS 10K			
600GB 6G SAS 10K			
450GB 6G SAS 10K			
300GB 6G SAS 10K			
300GB 6G SAS 15K			
146GB 6G SAS 15K			

SAS Hot Plug SmartDrive SFF (2.5-inch) Midline Drives

	Quantity Supported	Position Supported	Controller
1TB 6G SAS 7.2K	2	1-2	HPE Smart Array P220i Controller
500GB 6G SAS 7.2K			

6G SATA Hot Plug with SmartDrive SFF (2.5-inch) Midline Drives

	Quantity Supported	Position Supported	Controller
1TB 6G SAS 7.2K	2	1-2	HPE Smart Array P220i Controller
500GB 6G SAS 7.2K			

12G SAS High Endurance Hot Plug SFF (2.5-inch) Enterprise Performance Solid State Drives

	Quantity Supported	Position Supported	Controller
800GB 12G SAS	2	1-2	HPE Smart Array P220i Controller
400GB 12G SAS			
200GB 12G SAS			

QuickSpecs

Storage

12G SAS Mainstream Endurance Hot Plug SFF (2.5-inch) Enterprise Mainstream Solid State Drives

	Quantity Supported	Position Supported	Controller
800GB 12G SAS	2	1-2	HPE Smart Array P220i Controller
400GB 12G SAS			
200GB 12G SAS			

6G SATA Value Endurance Hot Plug SFF (2.5-inch) Enterprise Boot Solid State Drives

	Quantity Supported	Position Supported	Controller
120GB 6G SATA VE Boot	2	1-2	HPE Smart Array P220i Controller

6G SATA VE Hot Plug SFF (2.5-inch) Enterprise Value Solid State Drives

	Quantity Supported	Position Supported	Controller
800GB 6G SATA VE	2	1-2	HPE Smart Array P220i Controller
480GB 6G SATA VE			
240GB 6G SATA VE			

6G SATA Value Endurance Hot Plug SFF (2.5-inch) Enterprise Value Boot Solid State Drives

	Quantity Supported	Position Supported	Controller
600GB 6G SATA VE Boot	2	1-2	HPE Smart Array P220i Controller
300GB 6G SATA VE Boot			

6G SATA ME Hot Plug SFF (2.5-inch) Enterprise Mainstream Solid State Drives

	Quantity Supported	Position Supported	Controller
800GB 6G SATA ME	2	1-2	HPE Smart Array P220i Controller
400GB 6G SATA ME			
200GB 6G SATA ME			
100GB 6G SATA ME			

6G SAS ME Hot Plug SFF (2.5-inch) Enterprise Mainstream Solid State Drives

	Quantity Supported	Position Supported	Controller
800GB 6G SAS ME	2	1-2	HPE Smart Array P220i Controller
400GB 6G SAS ME			
200GB 6G SAS ME			

6G SAS SLC Hot Plug SFF (2.5-inch) Enterprise Performance Solid State Drives

	Quantity Supported	Position Supported	Controller
400GB 6G SAS SLC	2	1-2	HPE Smart Array P220i Controller
200GB 6G SAS SLC			

QuickSpecs

Technical Specifications

System Unit	Dimensions (H x W x D) (with bezel)	366.27mm (14.42") x 56.54mm (2.23") x 516.67mm (20.34")	
	Weight (approximate)	Maximum: 4 processors, 2 FlexibleLOMs, 32 DIMMs, 2 hard drives, 3 mezzanine cards, and 2 flash cache batteries installed	27.1 lb (12.3 kg)
		Minimum: 2 processors, 1 FlexibleLOM, and 2 DIMMs installed	20.2 lb (9.2 kg)
	Power Specifications	<p>For power specifications including input requirements, BTU rating, and power supply output, please see the:</p> <ul style="list-style-type: none"> HPE BladeSystem c3000 Enclosure QuickSpecs at http://h18000.www1.hp.com/products/QuickSpecs/12790_div/12790_div.html NOTE: The ProLiant BL660c Gen8 requires the c3000 Enclosure to be configured with 6 fans. HPE BladeSystem c7000 Enclosure QuickSpecs at http://h18000.www1.hp.com/products/QuickSpecs/12810_div/12810_div.html NOTE: The ProLiant BL660c Gen8 requires the c7000 Enclosure to be configured with 10 fans. <p>To review typical system power ratings use the HPE Power Advisor which is available via the online tool located at http://www.hp.com/go/hppoweradvisor.</p>	
	System Inlet Temperature	Operating	10° to 35°C (50° to 95°F) at sea level with an altitude derating of 1.0°C per every 305 m (1.8°F per every 1,000 ft) above sea level to a maximum of 3,050 m (10,000 ft), no direct sustained sunlight. Maximum rate of change is 10°C/hr (18°F/hr). The upper limit may be limited by the type and number of options installed. System performance may be reduced if operating with a fan fault or above 30°C (86°F).
		Non-operating	-30° to 60°C (-22° to 140°F). Maximum rate of change is 20°C/hr (36°F/hr).
	Relative Humidity (non-condensing)	Operating	10 to 90% relative humidity (Rh), 28°C (82.4°F) maximum wet bulb temperature, non-condensing.
		Non-operating	5 to 95% relative humidity (Rh), 38.7°C (101.7°F) maximum wet bulb temperature, non-condensing.
	Altitude	Operating	3,050 m (10,000 ft). This value may be limited by the type and number of options installed. Maximum allowable altitude change rate is 457 m/min (1,500 ft/min).
		Non-operating	9,144 m (30,000 ft). Maximum allowable altitude change rate is 457 m/min (1,500 ft/min).

QuickSpecs

Technical Specifications

Acoustic Noise For acoustic noise specifications, please see the HPE BladeSystem c-Class Enclosures QuickSpecs located at:
 HPE BladeSystem c3000 Enclosure QuickSpecs:
http://h18000.www1.hp.com/products/QuickSpecs/12790_div/12790_div.html
 HPE BladeSystem c7000 Enclosure QuickSpecs:
http://h18000.www1.hp.com/products/QuickSpecs/12810_div/12810_div.html

HPE Smart Array P220i Controller

Disk Drive Interface 6G SAS (Serial Attached SCSI)

Server Interface x4 PCI Express host interface

Cache Memory Speed 512MB flash backed write cache (FBWC) cache standard with Pre-configured Models and optional on Factory Integrated Models

Logical Drives Supported 64 (with included 512MB cache)

Host Memory Addressing 64-bit, supporting servers memory space greater than 4GB

RAID Support RAID 1 (mirroring) and RAID 0 (striping)
NOTE: The FBWC is not required for RAID capability. The purpose of the cache is it can increase hard drive write performance and provides data protection in case the server losses power.

Other Upgradeable firmware with recovery ROM
 Online drive flash (with SAS drives)

HPE FlexFabric 10Gb 2-port 554FLB FlexibleLOM (Included with Pre-configured Models)

Type Integrated dual-port KR 10Gb FlexibleLOM with FlexFabric (Flex-10, FCoE, hardware-based iSCSI, iSCSI boot, TCP/IP offload engine, and autosensing 1Gb/10Gb Ethernet capability)

Network Processor Emulex BE3

Data Transfer Method x8 PCI Express 2.0

Network Transfer Rate Two ports, each at 20Gbps full duplex; 40Gbps aggregate full duplex theoretical bandwidth
NOTE: Each port is autosensing 1Gb/10Gb, and can interoperate with 1Gb or 10Gb HPE BladeSystem c-Class interconnect components. Both ports will operate at the same speed.
NOTE: Each port on the 554FLB adapter transmits from the server at 20Gbps (theoretical) full duplex.

IEEE Compliance Standard Features 802.1p, 802.1q, 802.1qau, 802.3ad, 802.3ae, 802.3ap (10GBase-KX4) and 802.3x
 ProLiant Teaming including Network Fault Tolerance, Transmit Load Balancing, and Switch-Assisted Load Balancing
 9K Jumbo frames (4K Jumbo frames when in FCoE mode)
 Microsoft Windows Receive Side Scaling (RSS)
 Hardware-based accelerated iSCSI
 iSCSI boot
 Flex-10 capability
 Fibre Channel over Ethernet (FCoE)

QuickSpecs

Technical Specifications

TCP/IP offload engine (stateless TCP/IP)
Autosensing 1Gb/10Gb Ethernet

Environment-friendly Products and Approach **End-of-life Management and Recycling**

Hewlett Packard Enterprise Enterprise offers end-of-life Hewlett Packard Enterprise product return, trade-in, and recycling programs in many geographic areas. For trade-in information, please go to: <http://www.hp.com/go/green>. To recycle your product, please go to: <http://www.hp.com/go/green> or contact your nearest Hewlett Packard Enterprise sales office. Products returned to Hewlett Packard Enterprise will be recycled, recovered or disposed of in a responsible manner.

The EU WEEE directive (2002/95/EC) requires manufacturers to provide treatment information for each product type for use by treatment facilities. This information (product disassembly instructions) is posted on the Hewlett Packard Enterprise web site at: <http://www.hp.com/go/green>. These instructions may be used by recyclers and other WEEE treatment facilities as well as Hewlett Packard Enterprise OEM customers who integrate and re-sell Hewlett Packard Enterprise equipment.

QuickSpecs

Summary of Changes

Date	Version History	Action	Description of Change
23-Oct-2017	From Version 34 to 35	Changed	Care Pack naming and Service and Support- Parts and Materials updated.
31-Mar-2016	From Version 33 to 34	Changed	Core Options and Additional Options sections were updated.
		Added	SKUs added in Core Options and Additional Options sections: 838404-B21, 838406-B21, 838408-B21, 838410-B21, 838412-B21, P9J18AAE, 838404-B21, 838406-B21, 838408-B21, 838410-B21, 838412-B21, 816929-B21, 816919-B21, 816909-B21, 816899-B21, 816889-B21, 816879-B21, 817011-B21, 816995-B21, 816985-B21, 816975-B21, 816965-B21.
		Removed	Obsolete SKUs were deleted: 789135-B21, 698535-B21, 698536-B21, 756601-B21, 691864-B21
11-Dec-2015	From Version 32 to 33	Changed	Core Options and Additional Options were updated.
		Added	SKUs added: P9A13A, P9A13AAE, P9A14A, P9A14AAE, P9A15A, P9A15AAE, P9A16A, P9A16AAE, P9A17A, P9A17AAE, P9A18A, P9A18AAE, 816562-B21, 816568-B21, 816572-B21, 816576-B21, 822555-B21, 822559-B21, 822563-B21, 822567-B21
		Removed	Obsolete SKUs deleted: F6Q89AAE, 741155-B21, 789155-B21, E5Y38A, E5Y39AAE, QK763A, QK762A, QK761A, D8S85AAE, D8S84A, AP880A
28-Sep-2015	From Version 31 to 32	Change	Links updated in QuicSpecs.
		Added	SKUs added: P8B24A, P8B26AAE, P8B31A, 700767-B21
17-Aug-2015	From Version 30 to 31	Changed	Standard Features section was updated.
		Added	SKUs added in Core Options section: C9A82AAE, 804677-B21, 804671-B21, 804665-B21, 804639-B21, 804631-B21, 804625-B21, 832414-B21, 804613-B21, 804605-B21, 804599-B21, 804593-B21, 804587-B21, 804581-B21, 804575-B21
		Remove	Obsolete SKUs deleted: AQ697B, QW914A, QW915A, U6W98E
01-Jun-2015	From Version 29 to 30	Changed	Information updated on Core Options Section.
		Added	SKUs Added on Core Options Section: 748387-B21, 791034-B21
		Removed	Obsolete SKUs Deleted: 679098-L21, 679110-L21, 679100-L21, 679102-L21, 679112-L21, 679104-L21, 741151-B21, 679106-L21, 679108-L21, 679114-B21, 679115-B21, 679116-B21, 741159-B21
30-Mar-2015	From Version 28 to 29	Added	SKUs Added: 802578-B21, 802582-B21, 802586-B21, 802891-B21, 765453-B21, 765455-B21, 765464-B21, 781518-B21, 785069-B21, 765466-B21, 789135-B21, 789145-B21, 789155-B21, 794603-B21, 794605-B21, 781516-B21, 785067-B21
		Removed	Obsolete SKUs deleted: 741146-B21, 741138-B21, 741142-B21
09-Feb-2015	From Version 27 to 28	Changed	Optional Features, Core Options and Service and Support sections were updated
		Added	SKUs Added on HPE Hard Drives: 779164-B21, 779168-B21, 779172-B21, 779176-B21, 764923-B21, 764925-B21, 764927-B21, 764929-B21
01-Dec-2014	From Version 26 to 27	Changed	Service and Support, Configuration Information - Factory Integrated Models and Core Options sections were updated
		Added	SKU Added on Hard Drives:

QuickSpecs

Summary of Changes

			757339-B21
		Removed	SKUs deleted per missing compatibility confirmation: E5Y43A, E5Y43AAE
29-Sep-2014	From Version 25 to 26	Changed	Pre-configured Models, Configuration Information - Factory Integrated Models sections were updated
		Added	SKUs added on HPE Hard Drives: 756657-B21, 756636-B21, 756621-B21, 756601-B21
		Removed	Obsolete SKUs removed: 716324-B21, 761501-B21
18-Aug-2014	From Version 24 to 25	Changed	Models, Memory, Storage were sections updated
		Added	SKUs added on Hard Drives section: 759212-B21, 759210-B21, 759208-B21
10-Jun-2014	From Version 23 to 24	Removed	Processors, Cache Memory, Networking, Hard Drives, and Storage Controllers were revised.
25-Apr-2014	From Version 22 to 23	Removed	Removed June launch SKUs.
31-Mar-2014	From Version 19 to 22	Changed	Changes made throughout.
03-Mar-2014	From Version 18 to 19	Changed	Memory was revised.
18-Feb-2014	From Version 17 to 18	Changed	Changes were made throughout.
16-Dec-2013	From Version 16 to 17	Changed	Core Options, Additional Options, Memory, and Hard Drives were revised.
11-Oct-2013	From Version 15 to 16	Added	Added Support for 6G SATA Value Endurance Boot Solid State Hard Drives
10-Sep-2013	From Version 14 to 15	Changed	Core Options, Additional Options, Memory, and Hard Drives were revised.
10-Jun-2013	From Version 13 to 14	Changed	Changes made to the following sections Standard Features - Operating System and Virtualization software support for ProLiant servers Core Options - HPE Networking, updated part numbers Additions Options - HPE Storage Blades
17-May-2013	From Version 12 to 13	Changed	Standard Features: Updated Memory section.
13-May-2013	From Version 11 to 12	Removed	Overview- Removed the What's New Section
		Changed	Configuration Information- Updated Step 3 Additional Options- HPE Infiniband Mezzanines, HPE Storage Blades, and HPE Pointnext operational services
25-Mar-2013	From Version 9 to 10	Removed	Removed the word "Platinum" throughout various sections of the document.
01-Mar-2013	From Version 8 to 9	Changed	Core Options: Added p/n 665246-B21 to HPE Networking section.
21-Feb-2013	From Version 7 to 8	Changed	Changes made throughout the QuickSpecs.
19-Oct-2012	From Version 6 to 7	Changed	Changes made throughout the QuickSpecs.
01-Oct-2012	From Version 5 to 6	Changed	Changes made in the Networking sections.
28-Sep-2012	From Version 4 to 5	Changed	Changes made in the Options and Memory sections.
24-Sep-2012	From Version 3 to 4	Changed	Change made in Standard Features, Optional Features and Technical Specifications sections.
24-Aug-2012	From Version 2 to 3	Changed	Changes were made throughout the QuickSpecs.
17-Aug-2012	From Version 1 to 2	Changed	Changes were made in Additional Options and Technical Specifications sections.

QuickSpecs

Summary of Changes



Sign up for updates

★ Rate this document



© Copyright 2017 Hewlett Packard Enterprise Development LP. The information contained herein is subject to change without notice. The only warranties for Hewlett Packard Enterprise products and services are set forth in the express warranty statements accompanying such products and services. Nothing herein should be construed as constituting an additional warranty. Hewlett Packard Enterprise shall not be liable for technical or editorial errors or omissions contained herein.

Microsoft and Windows NT are US registered trademarks of Microsoft Corporation.

For hard drives, 1GB = 1 billion bytes. Actual formatted capacity is less.

c04123155 - 14-394 - Worldwide - V35 - 23-October-2017