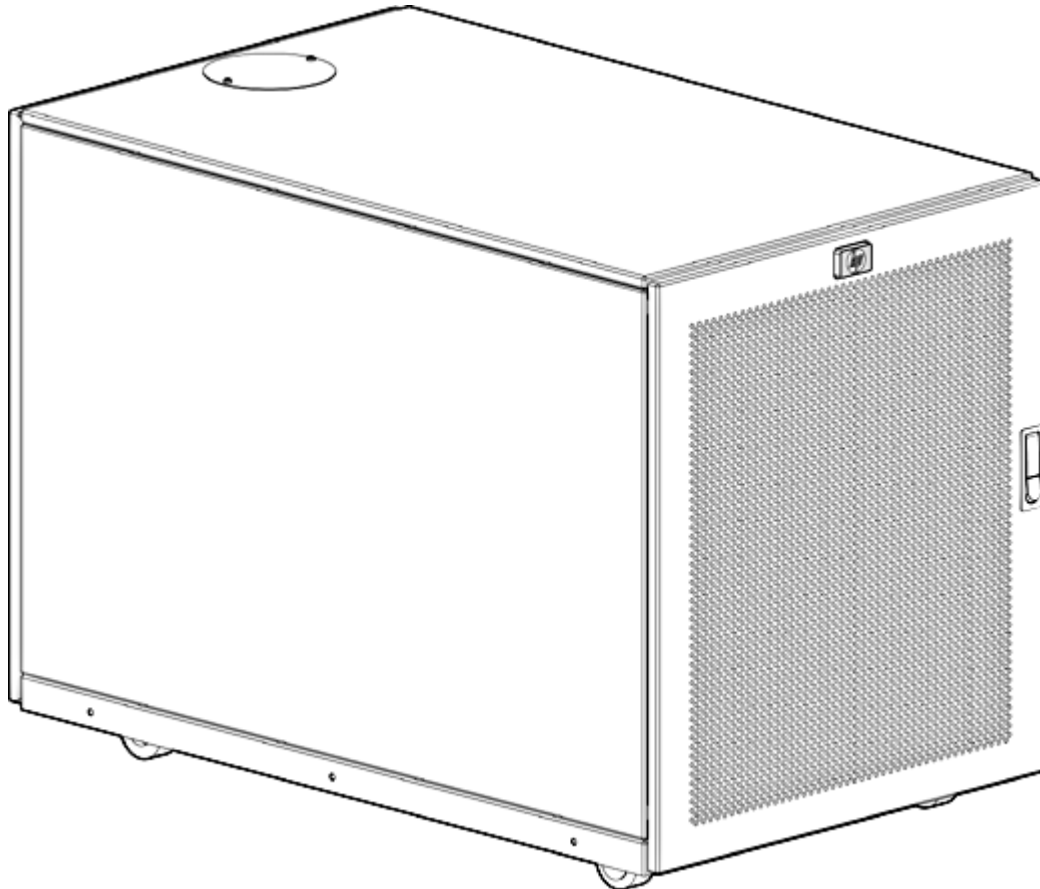


# QuickSpecs

## HP Rack 10000 Series

### Overview

HP sets the standard for performance and value in the enterprise with the Rack 10000 Series family. This enterprise-class rack cabinet system combines next-generation structural integrity and ease of use capabilities to deliver industry-leading performance. Ideal for onsite assembly of rack mounted ProLiant, Alpha, and Tandem servers, workstations, networking, and Storage products, the 10000 Rack Series of cabinets, complement and protect your customer's investment in technology. Specifically designed to ensure outstanding performance and seamless integration throughout the entire enterprise, the Rack 10000 could easily be the last family of racks that you ever have to buy.



HP S101614, 14U Rack

### What's New

- Updating supported options list.

# QuickSpecs

## HP Rack 10000 Series

---

### Overview

#### At a Glance

- 14U height
  - Thermal integrity
  - Security provisions
  - Shock pallet for factory CTO and dynamic loads
  - Sidepanels included
  - Heavy duty casters
  - Powerful 3 year Warranty (3-0-0)
- 

#### Models

HP S10614 (14U) Rack

292302-B22

**NOTE:** A rack with a shock pallet must be used when shipping racks with equipment installed.

# QuickSpecs

## HP Rack 10000 Series

### Standard Features

#### Industry Standard Support

All products are 19 inch RETMA standard and will support select third-party equipment  
Extensive evaluation, and testing across all critical platforms

### Key HP Infrastructure Rack components

#### Innovative Breakthroughs

- HP is the only IT rack provider to offer a complete line of options and accessories that are designed to support HP products.
- HP's reputation for providing the highest quality products throughout the entire enterprise is based on our strategic partnerships, extensive product research, product development and product testing processes.
- All rack sizes (including the S10614 rack are configurable at HP CTO (Configure to Order) facilities.

#### The HP Rack System

All HP rack-mountable products are designed to fit our industry-standard 19-inch wide racks. HP offers several racks to meet your system needs.  
Racks and rack-mountable components are typically described using "U" measurements. One "U" is 1.75" (44.45 mm) high.

This sturdy, industrial-strength rack series offers the following features:

- Universal - Accommodates all HP equipment (ProLiant, Alpha, Storage, UPS, PDU) in addition to select third party equipment
- Design - Perforated front and back doors which allows for high air flow and cooling up to 65% open; U marking front and sides of rails to ease component installation; increased cable management features

**NOTE:** Side Panels ship standard on the S10614 models.

# QuickSpecs

## HP Rack 10000 Series

### Product Features

**HP Rack 10000 Series Key Benefits** The HP Rack 10000 Series offers protection, price, performance and quality. The following are a few of the many benefits that come standard:

(Universal Rack)

- **Unique Frame and Rail Design** - enables fast assembly, easy mounting and outstanding structural integrity. Equipment installation effort is dramatically reduced because the vertical mounting system was specifically designed to minimize the time required to install HP products, and can be used with many other non-HP products as well. U markings on the front and sides of rails make it easy to align parts when installing equipment. Cut outs in the rails also allows for cabling between racks.
- **Thermal Integrity** - Front to back natural convection cooling is greatly enhanced by the innovative multi-angled design of the front door. For additional heat removal, an optional roof mounted fan kit can be easily installed.\*
- **Security Provisions** - Front and rear doors are lockable, which provides the necessary level of security to prevent unauthorized entry. Side panels are also lockable\* allowing for your entire rack row to be secure.
- **Flexibility** - Outstanding cable management features make it easy to develop effective solutions and easy to maintain. Cable egresses in the top of the rack allow for ample room for routing cables outside of the rack. The split rear doors\* give ample access to rack mounted equipment without blocking rack rows while the removable panel gives added flexibility for cable routing. Velcro straps are provided in the hardware bag for clean cable bundling within the rack.

\* Except S10614. The side panels and roof are not removable and cannot be bayed. The S10614 features one back door (not split).

---

### Low Total Cost of Ownership

Exclusive product options and accessories that optimize rack space utilization

- 0U and 1U mounting kits for options such as the new Modular Power Distribution Units (mPDU)
- Cost-saving Server Console Switches (KVM) with multiple mounting options
- TFT7600 Rackmount Keyboard and Monitor
- Highest levels of system management, performance, construction and compatibility

---

### Investment Protection

- Investment security across all mainstream ProLiant server and storage products.
- Well-designed and crafted options provide unlimited flexibility in growing or adapting the 10000 series of rack cabinets to specific requirements and needs.
- Advanced product integration and quality provides high system reliability

---

### Simplified Management

- Unique frame and rail design minimizes time necessary to install products in rack cabinet
- Product selection:
  - 47U @ 2.3 M
  - 42U @ 2.0 M
  - 36U @ 1.7 M
  - 22U @ 1.1 M
  - 14U @ 0.7 M
- All mainstream ProLiant server and storage products are easily managed with our seamless enterprise integration process

# QuickSpecs

## HP Rack 10000 Series

---

### *Product Features*

#### **Industry-leading Breakthroughs**

- Exclusive 42U in a two-meter rack cabinet height for easy door clearance
- The only company to provide a complete line of options and accessories that are designed to support HP products
- Special 14U rack designed specifically for remote site deployments.
- 2000 lb dynamic load capacity for the S10642

# QuickSpecs

## HP Rack 10000 Series

### Service and Support, HP Care Pack, and Warranty Information

#### Warranty

Three year warranty, parts only (3-0-0).

**NOTE:** Certain restrictions and exclusions apply. Consult the HP Customer Support Center for details.

#### HP Care Pack Services

HP Care Pack services include coverage for the HP branded hardware options qualified for the server and purchased at the same time or afterward that are internal to the enclosure. This also includes the 22" and smaller external monitors and tower UPS options up to 3kVA. These items will be covered at the same service level and for the same coverage period as the server. Coverage of UPS Battery is not included, and standard warranty terms & conditions apply. For servers or storage systems installed within a rack, service also covers all HP qualified rack options installed within the same rack.

- HP Services
  - To help streamline implementation and enhance ongoing support of rack solution, HP provides cost-effective service options with resources and specialized expertise to complement customers in-house capabilities.
- Installation and Startup services
  - Take advantage of complete installation and implementation support-including global rollout capabilities-to get rack solutions up-and-running rapidly, with minimal business disruption.
- Rack Option Hardware Support
  - Cover rack options with a single convenient service package. HP Care Pack Services for rack-mounted ProLiant DL servers and storage products provide support for all HP-branded rack hardware options that are qualified for inclusion with the server at the time of or after purchase. In addition, 22-inch and smaller external monitors, tower units, and UPS options up to 3KVA are covered at the same service level and for the same period as the server at not additional cost. Also covered are any additional HP-qualified rack options installed within the same rack.

HP Care Pack Services help increase uptime and productivity with rapid response on a 24x7 or 13x5 basis. Both options feature same-day, 4-hour onsite assistance when service issues cannot be resolved remotely. And both help enhance the return on server investment with proven HP Services expertise and consistent support levels across geographically dispersed sites.

**NOTE:** To learn more, please visit:

<http://www.hp.com/services/proliantservices>

<http://www.hp.com/services/bladesystems-services>

# QuickSpecs

## HP Rack 10000 Series

### Related Options

Several options allow for quick and easy expansion of the HP Rack 10000 Series racks to create a custom solution.

**NOTE:** This is only a sampling of the many HP Rack options available. See the HP rack products Web site for more complete information at <http://www.hp.com/products/rackoptions>. Contact your nearest HP Authorized Reseller or Service Provider for information about ordering HP parts. In the United States, HP can make arrangements to have your rack system installed by qualified Guaranteed Service Providers. This installation service covers the entire hardware installation sequence, from unpacking the components to routing cabling and running a test of the system.

**HP Airflow Optimization** HP 10000 Series Rack Airflow Optimization Kit AF090A

**NOTE:** The Airflow Optimization kit is designed to prevent hot and cold air from mixing thus optimizing the temperature at which the chilled air enters the racked servers.

**NOTE:** When configuring racks through Factory Express, a Rack Optimization kit will automatically ship with the rack. This kit is recommended for all other rack configurations also.

**HP Rack Light Kit** HP Light Kit for 10000 Series Rack 361589-B21

**NOTE:** Supports HP Rack 10000 Series and HP Rack 10000 G2 series. This light kit is mounted on the rack roof and used to provide light to the rear section of the rack.

**Rack Coupling Kit** 10000 Rack Coupling Kit 248929-B21

**NOTE:** Supported by both the Rack 10000 and Rack 10000 G2 series. Supports 24 in and 600 mm floor tile spacing. The kit is used to join two or more 10000 series racks of the same height together in minutes to create a multi-bay configuration.

**Offset Baying Kit** HP 9000 to 10000 Rack Offset Baying Kit 248931-B21

**NOTE:** This kit can be used to connect 9000 and 10000 series racks of the same U height together. Kit contents include hardware for connecting racks and a panel to cover the 100mm gap at the rear of the two racks.

**Grounding Kit** HP 10000 G2 Series Rack Grounding Kit AF074A

**NOTE:** Supported by the Rack 10000 and Rack 10000 G2 series.

**NOTE:** OD1 will appear after the above selected part numbers on yours sales order if factory integration is indicated.

# QuickSpecs

## HP Rack 10000 Series

### Related Options

<b>HP Cable Management Kits</b>	Compaq Cable Management D Rings	168233-B21
	<b>NOTE:</b> This kit consists of 10 "D" rings that can be used in addition to the rings that ship standard in the 10000 series and 10000 G2 series racks for cable management.	
	HP Rack Cable Management Velcro Clips	379820-B21
	<b>NOTE:</b> 50 pack.	
	HP Rack Cable Management Kit	AF099A
	<b>NOTE:</b> This kit provides an easy way to organize and route cables within HP Racks. Cable clips, cable rings, and 1U and 2U access panels are included.	
	<b>NOTE:</b> OD1 will appear after the above selected part numbers on yours sales order if factory integration is indicated.	
<hr/>		
<b>HP Locking Drawer</b>	HP 2U Universal Locking Drawer	361591-B21
	<b>NOTE:</b> This product mounts on HP 10000 Series and HP Rack 10000 G2 series racks with sliding rails and is used to store CD's, Instruction manuals, tools, and any other item that is frequently used at the rack. Drawer includes lock.	
	<b>NOTE:</b> OD1 will appear after the above selected part numbers on yours sales order if factory integration is indicated.	
<hr/>		
<b>HP Rack Cable Trays</b>	HP 600 Wide Rack Top Cable Tray	383982-B21
	HP 800 Wide Rack Top Cable Tray	383983-B21
	HP Rack Top Cable Mgmt Transfer Tray	383984-B21
	<b>NOTE:</b> The HP Rack Top Cable Mgmt Transfer Tray allows for cabling trays to be connected even across different aisles in the datacenter.	
	<b>NOTE:</b> These kits mount on the top of the 9000 and 10000 Series rack (except the S10614 rack). Kit color is graphite.	
<hr/>		
<b>Rack Cooling</b>	HP 10000 Rack Roof Mount Fan (110V) Kit	257413-B21
	HP 10000 Rack Roof Mount Fan (220V) Kit	257414-B21
	<b>NOTE:</b> OD1 will appear after the above selected part numbers on yours sales order if factory integration is indicated.	



# QuickSpecs

## HP Rack 10000 Series

### Related Options

<b>Keyboard and Monitors</b>	HP TFT7600 G2 KVM Console Rackmount Keyboard US Monitor	AZ870A
	HP TFT7600 G2 KVM Console Rackmount Keyboard UK Monitor	AZ871A
	HP TFT7600 G2 KVM Console Rackmount Keyboard DE Monitor	AZ872A
	HP TFT7600 G2 KVM Console Rackmount Keyboard FR Monitor	AZ873A
	HP TFT7600 G2 KVM Console Rackmount Keyboard IT Monitor	AZ874A
	HP TFT7600 G2 KVM Console Rackmount Keyboard ES Monitor	AZ875A
	HP TFT7600 G2 KVM Console Rackmount Keyboard DK Monitor	AZ876A
	HP TFT7600 G2 KVM Console Rackmount Keyboard NO Monitor	AZ877A
	HP TFT7600 G2 KVM Console Rackmount Keyboard SE/FI Monitor	AZ878A
	HP TFT7600 G2 KVM Console Rackmount Keyboard CH Monitor	AZ879A
	HP TFT7600 G2 KVM Console Rackmount Keyboard PT Monitor	AZ880A
	HP TFT7600 G2 KVM Console Rackmount Keyboard BE Monitor	AZ881A
	HP TFT7600 G2 KVM Console Rackmount Keyboard JP Monitor	AZ882A
	HP TFT7600 G2 KVM Console Rackmount Keyboard RU Monitor	AZ883A
	HP TFT7600 G2 KVM Console Rackmount Keyboard Intl Monitor	AZ884A
	HP TFT7600 G2 KVM Console Rackmount Keyboard US TAA Monitor	AZ885A

**NOTE:** Please see the QuickSpecs for additional information:

[http://h18000.www1.hp.com/products/quickspecs/13731\\_div/13731\\_div.html](http://h18000.www1.hp.com/products/quickspecs/13731_div/13731_div.html)  
(Worldwide)

<b>Universal 1U Filler Panels</b>	HP 1U 10-pack Carbon Universal Filler Panel	AF070A
	HP 1U 100-pack Carbon Universal Filler Panel	AF071A

**NOTE:** The blanking panels are made from high grade molded plastic, and are designed to be installed without tools. The use of blanking panels is recommended to ensure proper airflow.

**NOTE:** 0D1 will appear after the above selected part numbers on your sales order if factory integration is indicated.

<b>HP Modular Power Distribution Units (Zero-U/1U Modular PDUs)</b>	<b>North America, Japan, and South America (Except Argentina and Chile)</b>	
	<b>100 - 127v 1Ø</b>	
	HP 2.8kVA 24A Low Voltage NA/JP Modular Power Distribution Unit	252663-D71
	<b>200 - 240v 1Ø</b>	
	HP 3.6kVA 16A High Voltage INTL Modular Power Distribution Unit	252663-B24
	HP 4.9kVA 24A High Voltage NA/JP Modular Power Distribution Unit	252663-D72
	HP 8.3kVA 40A High Voltage INTL Modular Power Distribution Unit	252663-B21
	HP 8.3kVA 40A High Voltage NA/JP Modular Power Distribution Unit	252663-D73
	HP 8.3kVA 40A High Voltage NA/JP Core Modular Power Distribution Unit	252663-D75
	HP 4.9kVA 24A High Voltage NA/JP Core Modular Power Distribution Unit	252663-D74
	<b>200 - 240v 3Ø</b>	
	HP 8.6kVA 24A Three Phase NA/JP Modular Power Distribution Unit	AF512A
	HP 14.4kVA 40A Three Phase NA/JP Modular Power Distribution Unit	AF519A



# QuickSpecs

## HP Rack 10000 Series

### Related Options

HP 17.3kVA 48A Three Phase NA/JP Modular Power Distribution Unit AF511A  
**International (Including Argentina and Chile)**

#### 200 - 240v 1Ø

HP 7.3kVA 32A High Voltage INTL Modular Power Distribution Unit 252663-B31  
HP 9.2kVA 40A High Voltage INTL Modular Power Distribution Unit 252663-B32  
HP 9.2kVA 40A High Voltage INTL Core Modular Power Distribution Unit 252663-B34  
HP 7.3kVA 32A High Voltage INTL Core Modular Power Distribution Unit 252663-B33

#### 380 - 415v 3Ø

HP 11kVA 16A Three Phase INTL Modular Power Distribution Unit AF513A  
HP 22kVA 32A Three Phase INTL Core Modular Power Distribution Unit AF518A

**NOTE:** Please see the QuickSpecs for additional information:

[http://h18000.www1.hp.com/products/quickspecs/11041\\_div/11041\\_div.html](http://h18000.www1.hp.com/products/quickspecs/11041_div/11041_div.html)  
(Worldwide)

### HP Monitored Power Distribution Unit

#### HP Monitored Power Distribution Unit - Full Rack Version

HP 17.3kVA 24A Dual Three Phase NA/JP Monitored Power Distribution Unit AF503A  
HP 8.6kVA 24A Single Input Three Phase NA/JP Monitored Power Distribution Unit AF504A  
HP 16.6kVA 40A Dual Input Single Phase NA/JP Monitored Power Distribution Unit AF505A  
HP 8.3kVA 40A Single Input Single Phase NA/JP Monitored Power Distribution Unit AF506A  
HP 22.1kVA 16A Dual Input Three Phase INTL Monitored Power Distribution Unit AF507A  
HP 11kVA 16A Single Input Three Phase INTL Monitored Power Distribution Unit AF508A  
HP 14.7kVA 32A Dual Input Single Phase INTL Monitored Power Distribution Unit AF509A  
HP 7.3kVA 32A Single Input Single Phase INTL Monitored Power Distribution Unit AF510A

#### HP Monitored Power Distribution Unit - Half Rack Version

HP 4.9kVA 24A Single Input Single Phase NA/JP Monitored Power Distribution Unit AF914A  
HP 7.3kVA 32A Single Input Three Phase INTL Intelligent Modular Power Distribution Unit AF536A  
HP 17.3kVA 48A Single Input Three Phase NA/JP Monitored Power Distribution Unit AF916A  
HP 7.3kVA 32A Single Input Single Phase INTL Monitored Power Distribution Unit AF915A  
HP 22kVA 32A Single Input Three Phase INTL Monitored Power Distribution Unit AF917A

**NOTE:** Please see the QuickSpecs for additional information:

[http://h18000.www1.hp.com/products/quickspecs/12118\\_div/12118\\_div.html](http://h18000.www1.hp.com/products/quickspecs/12118_div/12118_div.html)  
(Worldwide)

# QuickSpecs

## HP Rack 10000 Series

### Related Options

<b>HP Intelligent Power Distribution Units (iPDU)</b>	HP 4.9kVA 24A Single Phase NA/JP Core Intelligent Modular Power Distribution Unit	AF520A	
	HP 8.3kVA 40A Single Phase NA/JP Core Intelligent Modular Power Distribution Unit	AF521A	
	HP 8.6kVA 24A Three Phase NA/JP Core Intelligent Modular Power Distribution Unit	AF522A	
	HP 14.4kVA 40A Three Phase NA/JP Intelligent Modular Power Distribution Unit	AF533A	
	HP 17.3kVA 48A Three Phase NA/JP Core Intelligent Modular Power Distribution Unit	AF523A	
	HP 11.4kVA 16A 415V Three Phase L22-20 NA Core Intelligent Power Distribution Unit	AF900A	
	HP 17.3kVA 24A 415V Three Phase L22-30 NA Core Intelligent Power Distribution Unit	AF902	
	HP 17.3kVA 24A 415V Three Phase IEC309 NA Core Intelligent Power Distribution Unit	AF901A	
	HP 7.3kVA 32A Single Phase INTL Core Intelligent Modular Power Distribution Unit	AF525A	
	HP 11kVA 16A Three Phase INTL Core Intelligent Modular Power Distribution Unit	AF526A	
	HP 22kVA 32A Three Phase INTL Core Intelligent Modular Power Distribution Unit	AF527A	
	HP 17.3kVA 48A 208V Three Phase 12 Outlet Core NA/JP Intelligent Power Distribution Unit	AF535A	
	HP 17.3kVA 24A 415V Three Phase 12 Outlet Core NA/JP Intelligent Power Distribution Unit	AF537A	
	HP 22kVA 32A 400V Three Phase 12 Outlet Core INTL Intelligent Power Distribution Unit	AF538A	
	<b>iPDU Kits with Standard Extension Bars</b>		
	HP 4.9kVA 24A Single Phase NA/JP Intelligent Modular Power Distribution Kit	AF531A	
HP 8.6kVA 24A Three Phase NA/JP Intelligent Modular Power Distribution Kit	AF532A		
HP 7.3kVA 32A Single Phase INTL Intelligent Modular Power Distribution Kit	AF534A		

**NOTE:** For additional information on HP Intelligent PDUs please see:  
[www.hp.com/go/ipdu](http://www.hp.com/go/ipdu)

<b>HP R1500 G3 Uninterruptible Power Supply (UPS)</b>	HP R1.5kVA G3 1U NA Uninterruptible Power System	AF469A
	HP R1.5kVA G3 1U JP/TW Uninterruptible Power System	AF470A
	HP R1.5kVA G3 1U INTL Uninterruptible Power System	AF471A

**NOTE:** Please see the QuickSpecs for additional information:  
[http://h18000.www1.hp.com/products/quickspecs/14059\\_div/14059\\_div.html](http://h18000.www1.hp.com/products/quickspecs/14059_div/14059_div.html)  
 (Worldwide)

<b>HP R/T3000 G2 Uninterruptible Power System (UPS)</b>	HP R/T3000 G2 2U L530 Low Voltage NA/JP Uninterruptible Power System	AF466A
	HP R/T3000 G2 2U L620 High Voltage NA/JP Uninterruptible Power System	AF467A
	HP R/T3000 G2 2U Detachable Cord High Voltage INTL Uninterruptible Power System	AF468A

**NOTE:** Please see the QuickSpecs for additional information:  
[http://h18000.www1.hp.com/products/quickspecs/13417\\_div/13417\\_div.html](http://h18000.www1.hp.com/products/quickspecs/13417_div/13417_div.html)  
 (Worldwide)



# QuickSpecs

## HP Rack 10000 Series

### Related Options

<b>R5000 Uninterruptible Power System (UPS)</b>	HP R5KVA 3U IEC309-32A High Voltage INTL Uninterruptible Power System	AF461A
	HP R5KVA 3U L630 High Voltage NA/JP Uninterruptible Power System	AF460A
<b>NOTE:</b> Please see the QuickSpecs for additional information: <a href="http://h18000.www1.hp.com/products/quickspecs/14109_div/14109_div.html">http://h18000.www1.hp.com/products/quickspecs/14109_div/14109_div.html</a> (Worldwide)		
<b>R7000 Uninterruptible Power System (UPS)</b>	HP R7KVA 4U 50A High Voltage NA/JP Uninterruptible Power System	AF462A
	HP R7KVA 4U IEC-32A High Voltage INTL Uninterruptible Power System	AF463A
<b>NOTE:</b> Please see the QuickSpecs for additional information: <a href="http://h18000.www1.hp.com/products/quickspecs/14110_div/14110_div.html">http://h18000.www1.hp.com/products/quickspecs/14110_div/14110_div.html</a> (Worldwide)		
<b>HP Rack-Mountable R5500 UPS</b>	HP R5500 6000VA INTL 3U Rackmount Uninterruptible Power System	AF416A
	HP R5500 5000kVA NA/JP 3U Rackmount Uninterruptible Power System	AF426A
<b>NOTE:</b> Please see the QuickSpecs for additional information: <a href="http://h18000.www1.hp.com/products/quickspecs/11817_div/11817_div.html">http://h18000.www1.hp.com/products/quickspecs/11817_div/11817_div.html</a> (Worldwide)		
<b>HP Parallel 3 Phase Uninterruptible Power Systems (UPS RP36000/3)</b>	HP RP36000/3 36000VA Three Phase NA Uninterruptible Power System	AF438A
	HP RP36000/3 36000VA Three Phase INTL Uninterruptible Power System	AF439A
<b>NOTE:</b> Please see the QuickSpecs for additional information: <a href="http://h18000.www1.hp.com/products/quickspecs/12856_div/12856_div.html">http://h18000.www1.hp.com/products/quickspecs/12856_div/12856_div.html</a> (Worldwide)		
<b>HP Parallel 3 Phase Uninterruptible Power Systems (UPS RP36000/3)</b>	<b>HP R8000/3</b>	
	HP R8000/3 8000kVA Three Phase NA 6U Rackmount Uninterruptible Power System	AF431A
	HP R8000/3 8000kVA Three Phase INTL 6U Rackmount Uninterruptible Power System	AF432A
	HP R12000/3	
	HP R12000/3 12000VA Three Phase NA 6U Rackmount Uninterruptible Power System	AF429A
HP R12000/3 12000VA Three Phase INTL 6U Rackmount Uninterruptible Power System	AF430A	
<b>NOTE:</b> Please see the QuickSpecs for additional information: <a href="http://h18000.www1.hp.com/products/quickspecs/12857_div/12857_div.html">http://h18000.www1.hp.com/products/quickspecs/12857_div/12857_div.html</a> (Worldwide)		

# QuickSpecs

## HP Rack 10000 Series

### Related Options

<b>HP 1x4 USB/PS2 KVM Switch</b>	HP 1x4 USB/PS2 KVM Console Switch	AF611A
	HP 1x4 KVM Console 6ft PS2 Cable	AF612A
	HP 1x4 KVM Console 6ft USB Cable	AF613A

**NOTE:** USB cable required for supporting USB peripherals.

**NOTE:** Please see the QuickSpecs for additional information:

[http://h18000.www1.hp.com/products/quickspecs/12662\\_div/12662\\_div.html](http://h18000.www1.hp.com/products/quickspecs/12662_div/12662_div.html)  
(Worldwide)

---

<b>HP KVM Switch Options</b>	HP Server Console 0x2x8 Port Analog Switch	AF616A
	HP Server Console 0x2x16 Port Analog Switch	AF617A

**NOTE:** Please see the QuickSpecs for additional information:

[http://h18000.www1.hp.com/products/quickspecs/11834\\_div/11834\\_div.html](http://h18000.www1.hp.com/products/quickspecs/11834_div/11834_div.html)  
(Worldwide)

#### Interface Adapters

HP KVM CAT5 1-pack PS/2 Interface Adapter	262588-B21
HP KVM CAT5 8-pack PS/2 Interface Adapter	262587-B21
HP KVM CAT5 1-pack USB Interface Adapter	336047-B21
HP KVM CAT5 1-pack Serial Interface Adapter	373035-B21

**NOTE:** Please see the QuickSpecs for additional information:

[http://h18000.www1.hp.com/products/quickspecs/13474\\_div/13474\\_div.html](http://h18000.www1.hp.com/products/quickspecs/13474_div/13474_div.html)  
(Worldwide)

**NOTE:** Cat5e cables are required to connect Interface Adapters to Console Switches.

Cat5e cables can be found at the following URL: <http://www.hp.com/go/kvm>.

**NOTE:** For additional information regarding KVM switches, Serial Console servers, rack mount monitors, keyboards and all related options please see the following URL:

<http://www.hp.com/go/kvm>.

---

<b>HP Serial Console Server Options</b>	HP 16 Port Serial Console Server	AF101A
	HP 48 Port Serial Console Server	AF102A
	HP CAT5 RJ45-DB9 DCE Female 1 Pack Serial Adapter	AF103A
	HP CAT5 RJ45-DB9 DCE Female 8 Pack Serial Adapter	AF110A

**NOTE:** Please see the QuickSpecs for additional information:

[http://h18000.www1.hp.com/products/quickspecs/12118\\_div/12118\\_div.html](http://h18000.www1.hp.com/products/quickspecs/12118_div/12118_div.html)  
(Worldwide)

**NOTE:** Cat5e cables are required to connect Interface Adapters to Console Switches.

Cat5e cables can be found at the following URL: <http://www.hp.com/go/kvm>.

---

<b>HP Care Pack Services</b>	HP Install Rack and Rack Options Service	U2871E
------------------------------	--	--------



# QuickSpecs

## HP Rack 10000 Series

### Technical Specifications

#### S10614 Rack Physical Characteristics

<b>Dimensions</b> (HxDxW)	<b>Total Cabinet Area</b>	28.5 x 39.69 x 23.6 in (72.4 x 100 x 60 cm)
	<b>Shipping</b> (with packaging materials)	34 x 44x 30.5 in (86.36 x 111.82 x 77.5 cm)
<b>Weight</b>	<b>Operating</b>	135 lb (61 kg)
	<b>Shipping</b>	190 lb (86.18 kg)
<b>Load</b>	<b>Static</b>	600 lb (270 kg)
	<b>Dynamic</b>	500 lb (227 kg)
<b>Color</b>	<b>Doors</b>	Graphite Metallic
	<b>Frame</b>	Carbon

---

<b>Environment-friendly Products and Approach</b>	<b>End-of-life Management and Recycling</b>	Hewlett-Packard offers end-of-life HP product return, trade-in, and recycling programs in many geographic areas. For trade-in information, please go to: <a href="http://www.hp.com/go/green">http://www.hp.com/go/green</a> . To recycle your product, please go to: <a href="http://www.hp.com/go/green">http://www.hp.com/go/green</a> or contact your nearest HP sales office. Products returned to HP will be recycled, recovered or disposed of in a responsible manner.
---	---	--

The EU WEEE directive (2002/95/EC) requires manufacturers to provide treatment information for each product type for use by treatment facilities. This information (product disassembly instructions) is posted on the Hewlett Packard web site at: <http://www.hp.com/go/green>. These instructions may be used by recyclers and other WEEE treatment facilities as well as HP OEM customers who integrate and re-sell HP equipment.

---

© Copyright 2012 Hewlett-Packard Development Company, L.P.

The information contained herein is subject to change without notice.

The only warranties for HP products and services are set forth in the express warranty statements accompanying such products and services. Nothing herein should be construed as constituting an additional warranty. HP shall not be liable for technical or editorial errors or omissions contained herein.