

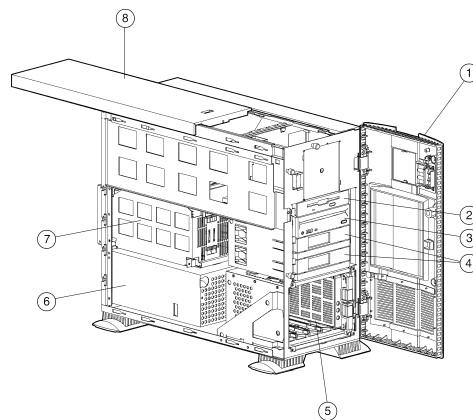
QUICKSPECS

Compaq ProLiant 1600 Pentium II Models

Overview

AT A GLANCE

- Intel Pentium® II processor 350, 400 or 450 MHz (dual processor capability)
- 512-KB second-level ECC cache standard
- 100-MHz GTL Bus Design
- 64-MB, 100-MHz registered ECC SDRAM memory standard, expandable to 1 GB
- Two PCI and four shared PCI/ISA slots, (six total slots)
- Compaq 10/100 TX PCI UTP Controller (embedded) on the PCI bus
- Integrated Dual Channel Wide-Ultra SCSI-3 Adapter
- Support for up to five 1-inch or two 1.6-inch and one 1-inch hot plug hard drives
- 91-GB maximum internal storage (internal hot plug drive cage only)
- Wide-Ultra SCSI-3 Drive Cage standard
- Wide Ultra2/Ultra3 SCSI Drive Cage optional
- Integrated Management Display (IMD) (optional)
- I₂O Ready
- Integrated Remote Console (IRC)
- Automatic Server Recovery-2 (ASR-2)
- Compaq Hot Plug Redundant Power Supply (optional)
- Easy-to-service chassis
- Pre-installed High Speed IDE CD-ROM Drive
- Compaq Insight Manager and SmartStart
- Protected by Compaq Services, including a three-year, Next Business Day on-site limited Global warranty and extended Pre-Failure Warranty which covers processors, memory and hard drives — Certain restrictions and exclusions apply. Consult the Compaq Customer Support Center at 1-800-345-1518 for details.

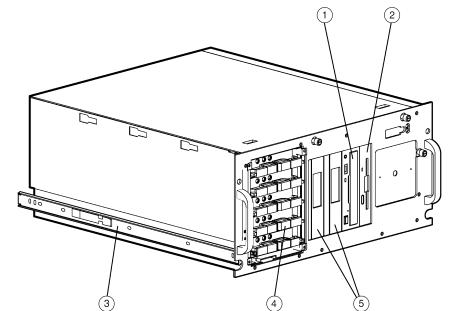


Tower Models

1. Front Bezel
2. 1.44-MB Diskette Drive
3. High Speed IDE CD-ROM
4. Two available Removable Media Bays
5. Hot Plug SCSI Drive Cage
6. Power supply
7. Intel Pentium II Processor Cage
8. Small access panel

Rack Models

1. High Speed IDE CD-ROM
2. 1.44-MB Diskette Drive
3. Two available Removable Media Bays
4. Hot Plug Drive Cage
5. Side Rails



QUICK SPECS

Compaq ProLiant 1600 Pentium II Models

Standard Features

MODELS

**Compaq ProLiant 1600
Pentium II Models**
Available in multiple configurations.

Processor – One of the following:

Intel Pentium II processor 450 MHz
Intel Pentium II processor 400 MHz
Intel Pentium II processor 350 MHz (Tower form factor only)

Cache Memory

512-KB second-level ECC cache

Upgradability

Upgradable to dual processing

Memory

Standard	64 MB (100-MHz registered ECC SDRAM memory standard)
Maximum	1 GB

Network Controller

Compaq 10/100 TX PCI UTP controller (embedded) on the PCI local bus

Expansion Slots

I/O (Total)	6
PCI	2
Shared PCI/ISA	4

Storage Controller

Integrated Dual Channel Wide-Ultra SCSI-3 Adapter

Storage

Diskette Drive	1.44 MB
CD-ROM	High Speed IDE CD-ROM Drive
Hard Drives	None
Maximum Internal Storage	91 GB (internal hot plug drive cage only)

Interfaces

Parallel	1
Serial	2
Pointing Device (Mouse)	1
Graphics	1
Hot Plug Keyboard	1
External Wide-Ultra SCSI-3	1
Network RJ-45	1

Graphics

Integrated 1024 x 768, 256 color non-interlaced on PCI local bus, 1-MB video memory

Form Factor

Tower or Rack (5U)
Rack ships with sliding rails and cable management

Compaq Software

Compaq Insight Manager	The comprehensive system management tool that monitors the operation of Compaq servers, workstations and clients
Compaq SmartStart	The server configuration and software integration tool from Compaq
Array Configuration Utility (ACU) with Smart Array Controllers	Same easy to use yet powerful GUI configuration utility and easy to navigate wizards for all Smart Array Controllers

QUICKSPECS

Compaq ProLiant 1600
Pentium II Models

Standard Features

Manageability

- Compaq Insight Manager
- Compaq Remote Insight Board (PCI) (optional)
- Automatic Server Recovery-2 (ASR-2)
- Integrated Remote Console (IRC)
 - Hardware Remote Console
 - Full Remote Server Reboot Capability
 - Reset and Failure Sequence Replay
 - Host Hardware Independent
 - Operating System Independent
 - Communication is out-of-band
- Integrated Management Display (IMD) (optional)
- Integrated Management Log
- Server Health Logging
- Revision History Table
- Automatic Revision Tracking
- Drive Parameter Tracking (with Smart Array Controller)
- Dynamic Sector Repairing (with Smart Array Controller)
- Recovery Server Option (optional)
- Off-Line Backup Processor capability
- Pre-Failure Warranty (covers processors, hard drives and memory)

Security

- Power-on password
- Hot plug keyboard password
- Diskette drive control
- Diskette boot control
- QuickLock, Network Server Mode
- Parallel and serial interface control
- Administrator's password
- Disk configuration lock

Power Supply

- 325 Watts-CE Mark Compliant

Required Cabling

For required cabling information, refer to the Compaq web site at <http://www.compaq.com/products/servers/proliant/1600> or <http://www.compaq.com/products/servers/proliant/1600r>.
Note: This web site available in English only.

OS Support

- Microsoft Windows NT
- Microsoft Windows 2000 Server
- Novell NetWare
- SCO UnixWare and OpenServer
- IBM OS/2 Warp Family
- Sun Solaris
- Banyan VINES

QUICKSPECS

Compaq ProLiant 1600
Pentium II Models

Standard Features

Service and Support

Compaq Services provides a three-year, limited warranty, including Pre-Failure Warranty (coverage of hard drives, memory and processors) fully supported by a worldwide network of resellers and service providers and lifetime toll-free 7 x 24 hardware technical phone support. In addition, available service offerings include:

A full range of CarePaq packaged hardware and software services:

- Installation and start up
- Extended coverage hours and enhanced response times
- System management and performance services
- Availability and recovery services

Note: Certain restrictions and exclusions apply. Consult the Compaq Customer Support Center at 1-800-345-1518 for details.

QUICKSPECS

Compaq ProLiant 1600
Pentium II Models

Standard Features

Tower Models

6/450 Model 1
313650-xx1

Processor(s)	Intel Pentium II processor 450-MHz	Network Controller	10/100 TX PCI UTP controller
Cache Memory	512-KB second level ECC cache	Storage Controller	Integrated Dual Channel Wide-Ultra SCSI-3 Adapter
Memory	100-MHz registered ECC SDRAM	Internal Storage	91 GB max
Standard	64 MB	Optical Drive	High Speed IDE CD-ROM Drive
Maximum	1 GB	Form Factor	Tower

6/400 Model 1
315570-xx1

Processor(s)	Intel Pentium II processor 400-MHz	Network Controller	10/100 TX PCI UTP controller
Cache Memory	512-KB second level ECC cache	Storage Controller	Integrated Dual Channel Wide-Ultra SCSI-3 Adapter
Memory	100-MHz registered ECC SDRAM	Internal Storage	91 GB max
Standard	64 MB	Optical Drive	High Speed IDE CD-ROM Drive
Maximum	1 GB	Form Factor	Tower

6/350 Model 1
315550-xx1

Processor(s)	Intel Pentium II processor 350-MHz	Network Controller	10/100 TX PCI UTP controller
Cache Memory	512-KB second level ECC cache	Storage Controller	Integrated Dual Channel Wide-Ultra SCSI-3 Adapter
Memory	100-MHz registered ECC SDRAM	Internal Storage	91 GB max
Standard	64 MB	Optical Drive	High Speed IDE CD-ROM Drive
Maximum	1 GB	Form Factor	Tower

Note: This processor available in Tower form factor only.

QUICK SPECS

Compaq ProLiant 1600
Pentium II Models

Standard Features

Rack Models

6/450 Model 1
313670-xx1

Processor(s)	Intel Pentium II processor 450-MHz	Network Controller	10/100 TX PCI UTP controller
Cache Memory	512-KB second level ECC cache	Storage Controller	Integrated Dual Channel Wide-Ultra SCSI-3 Adapter
Memory	100-MHz registered ECC SDRAM	Internal Storage	91 GB max
Standard	64 MB	Optical Drive	High Speed IDE CD-ROM Drive
Maximum	1 GB	Form Factor	5U Rack

6/400 Model 1
315580-xx1

Processor(s)	Intel Pentium II processor 400-MHz	Network Controller	10/100 TX PCI UTP controller
Cache Memory	512-KB second level ECC cache	Storage Controller	Integrated Dual Channel Wide-Ultra SCSI-3 Adapter
Memory	100-MHz registered ECC SDRAM	Internal Storage	91 GB max
Standard	64 MB	Optical Drive	High Speed IDE CD-ROM Drive
Maximum	1 GB	Form Factor	5U Rack

Country Code Key

XX=00	US
XX=02	Int'l
XX=29	Japan
XX=37	APD
XX=AA	PRC

QUICK SPECS

Compaq ProLiant 1600
Pentium II Models

Options

Processor

6/600 Pentium III 512K Processor Option Kit	153555-B21
6/550 Pentium III 512K Processor Option Kit	124779-B21
6/500 Pentium III 512K Processor Option Kit	401268-B21
6/450 Pentium II 512K Processor Option Kit	313618-B21
6/400 Pentium II 512K Processor Option Kit	313612-B21
6/350 Pentium II 512K Processor Option Kit	313611-B21

Note: To Upgrade 400-MHz, 450-MHz, or 500-MHz models to the 550-MHz or 600-MHz or when upgrading a 550-MHz to the 600-MHz model, installation of an additional Thermal Upgrade Option Kit (144003-B22) is required. Failure to install this kit when upgrading may cause damage to the server and will void the warranty.

Memory

256-MB 100-MHz Registered ECC SDRAM Memory Kit	313616-B21
128-MB 100-MHz Registered ECC SDRAM Memory Kit	313615-B21
64-MB 100-MHz Registered ECC SDRAM Memory Kit	313614-B21

Optical Drives

DVD-ROM Drive Option Kit (DVD-ROM Drive Option Kit only supported by Windows NT or Windows 2000 OS.)	388481-B21
---	------------

Internal Storage

Wide Ultra2/Ultra3 SCSI Drive Cage Option Kit (6 x 1") (When using hot plug Wide Ultra2/Ultra3 Drives in the Pentium II Models, the Wide Ultra2/Ultra3 SCSI Drive Cage Option Kit (6 x 1") (382159-B21) is required.)	382159-B21
Wide-Ultra SCSI-3 Duplexing Drive Cage Option Kit	264368-001
Wide-Ultra SCSI-3 Duplexing Drive Cage Option Kit (Japan)	264368-291
Wide-Ultra SCSI-3 Hot Plug Drive Cage (5 x 1") Option Kit	271912-001
Wide-Ultra SCSI-3 Hot Plug Drive Cage (5 x 1") Option Kit (Japan)	271912-291

Hard Drives

(Caution – Check to make sure that you are using the right drive with the correct drive cage.)

Wide Ultra3 SCSI – Universal Hot Plug

18.2-GB Wide Ultra2 SCSI 10,000 rpm Drive (1")	142673-B22
9.1-GB Wide Ultra3 SCSI 10,000 rpm Drive (1")	142671-B22

Note: When using hot plug Wide Ultra2/Ultra3 Drives in the Pentium II Models, the Wide Ultra2/Ultra3 SCSI Drive Cage Option Kit (6 x 1") (382159-B21) is required.

Note: Wide Ultra2/Ultra3 Drives require an optional Wide Ultra2/Ultra3 Controller to support Ultra2/Ultra3 transfer rates.

Wide Ultra2 SCSI – Universal Hot Plug

18.2-GB Wide Ultra2 SCSI 10,000 rpm Drive (1.6")	128418-B22
18.2-GB Wide Ultra2 SCSI Drive (1")	388144-B22
9.1-GB Wide Ultra2 SCSI 10,000 rpm Drive (1")	328939-B22
9.1-GB Wide Ultra2 SCSI Drive (1")	123065-B22

Note: When using hot plug Wide Ultra2/Ultra3 Drives in the Pentium II Models, the Wide Ultra2/Ultra3 SCSI Drive Cage Option Kit (6 x 1") (382159-B21) is required.

Note: Wide Ultra2/Ultra3 Drives require an optional Wide Ultra2/Ultra3 Controller to support Ultra2/Ultra3 transfer rates.

Wide Ultra3 SCSI – Non - Hot Plug

36.4-GB Wide Ultra3 SCSI 10,000 rpm Drive (1.6")	142676-B21
18.2-GB Wide Ultra3 SCSI 10,000 rpm Drive (1")	142674-B21
9.1-GB Wide Ultra3 SCSI 10,000 rpm Drive (1")	142672-B21

Note: Non-hot plug Wide Ultra3 drives are supported only in the removable media bays and required the Ultra3 Cable Option Kit (166391-B21). An option Ultra3 controller must be purchased in order for the Ultra3 drives to operate at Ultra3 speeds.

QUICK SPECS

Compaq ProLiant 1600
Pentium II Models

Options

Hard Drives *(continued)*

Wide Ultra2 SCSI - Non-Hot Plug

18.2-GB Wide Ultra2 SCSI 10,000 rpm Drive (1.6")	328943-B21
9.1-GB Wide-Ultra2 SCSI Drive (1")	349526-B21

Wide-Ultra SCSI-3 Drives - Hot Plug

36.4-GB Wide-Ultra SCSI-3 10,000 rpm Drive (1.6")	128420-B21
36.4-GB Wide-Ultra SCSI-3 Drive (1.6")	400740-B21
18.2-GB Wide-Ultra SCSI-3 10,000 rpm Drive (1")	128417-B21
18.2-GB Wide-Ultra SCSI-3 Drive (1")	400739-B21
9.1-GB Wide-Ultra SCSI-3 10,000 rpm Drive (1")	336357-B21
9.1-GB Wide-Ultra SCSI-3 Hard Drive (1")	313706-B21

Storage Controllers

Smart Array 431 Controller	127695-B21
Smart Array 431 Controller (Japan)	127695-291
Smart Array 221 Controller	388099-B21
Smart Array 221 Controller (Japan)	388099-291
Smart Array 3200 Controller	295643-B21
Smart Array 3200 Controller (Japan)	295643-291
Smart Array 4200 Controller	295636-B21
Smart Array 4200 Controller (Japan)	295636-291
64-Bit Dual Channel Wide Ultra2 SCSI Adapter	348757-B21
64-Bit Dual Channel Wide Ultra2 SCSI Adapter (Japan)	348757-291
64-Bit/66MHz Dual Channel Wide Ultra3 SCSI Adapter	129803-B21
64-Bit/66MHz Dual Channel Wide Ultra3 SCSI Adapter (Japan)	129803-291
64-Bit/66MHz Single Channel Wide Ultra3 SCSI Adapter	154557-B21
64-Bit/66MHz Single Channel Wide Ultra3 SCSI Adapter (Japan)	154457-291
Wide-Ultra SCSI-3 Adapter	272514-001

Communications

Compaq 10/100 TX PCI UTP Controller (The ProLiant 1600 Pentium II Models ship standard with one Compaq 10/100 TX PCI UTP Controller embedded. For redundancy, a second controller is required (169845-001).)	169845-001
Compaq NC3122 Fast Ethernet NIC PCI Dual 10/100	317450-B21
Compaq NC3131 Fast Ethernet NIC 64 PCI Dual Base 10/100	338456-B21
Compaq NC3132 Fast Ethernet Module Dual 10/100 Upgrade Module for NC3131	338456-B22
Compaq NC6132 Gigabit Module 1000 SX Upgrade Module for NC3131	338456-B23
Compaq NC6133 Gigabit Module 1000 LX Upgrade Module for NC3131	338456-B24
Compaq NC3133 Fast Ethernet Module 100 FX Upgrade Module for NC3131	338456-B25
Compaq NC6134 Gigabit NIC 64 PCI 1000 SX	174818-B21
Compaq 100 FDDI PCI SAS Fibre-SC Controller	242505-001
Compaq 100 FDDI PCI SAS UTP Controller	242507-001
Compaq 100 FDDI PCI DAS Fibre-SC Controller	242509-001
Compaq 100 FDDI PCI DAS UTP Controller	242511-001
Compaq 100 FDDI PCI SAS Fibre-MIC Controller	287728-001
Compaq NC4621 Token Ring NIC PCI 4/16 WOL	379956-B21
IBM 16/4 Token Ring PCI Special	133749-B21
Compaq 56K ISA Fax Modem v.90	294900-002
ServerNet PCI Adapter	309833-B22
4M Cable	309834-B23
30M Cable	309834-B22

QUICK SPECS

Compaq ProLiant 1600
Pentium II Models

Options

Internal Tape Drives

Internal 20/40-GB DAT DDS-4 Tape Drive	157769-B21
Internal 12/24-GB DAT Drive (Opal)	295513-B22
Internal 12/24-GB DAT Drive (Opal) (Japan)	295513-292
Internal 4/8-GB DAT Drive (Opal)	295353-B22
Internal 4/8-GB DAT Drive (Opal) (Japan)	295353-292
Internal 4/8-GB SLR Drive (Opal)	295480-B22
Internal 4/8-GB SLR Drive (Opal) (Japan)	295480-292
Internal 35/70-GB DLT Drive	242520-B21
Internal 35/70-GB DLT Drive (Japan)	242520-291
Internal 20/40-GB DLT Drive (Opal)	340743-B22
Internal 20/40-GB DLT Drive (Opal) (Japan)	340743-292
Internal AIT 50-GB Tape Drive	157766-B21
Internal AIT 35-GB Tape Drive	388504-B21
20/40-GB DAT 8 Cassette Autoloader - Internal	166504-B21
12/24-GB DAT DDS-3 8 Cassette autoloader (internal)	103549-B21
4-GB DDS-2 DAT Cassette	137611-001
DDS-4 Media (10 pack)	152842-001
12/24-GB DDS-3 DAT 8 Cassette Pre-Filled Magazine (7 data cassettes, 1 cleaning cassette)	134117-B21
20/40-GB DAT 8 Cassette Magazine w/Media	171532-B21
12-GB DDS-3 DAT Cassette (10 pack)	295515-B21
DAT Cleaning Cassette	242781-001
AIT 50-GB Data Cassette (5 pack)	152841-001
AIT 35-GB Data Cassette (5 pack)	402371-B21
AIT Cleaning Cassette	402374-B21

Redundant Options

Compaq 10/100 TX PCI UTP Controller (The ProLiant 1600 Pentium II Models ship standard with one Compaq 10/100 TX PCI UTP Controller embedded. For redundancy, a second controller is required (169845-001).)	169845-001
Compaq Hot Plug Redundant Power Supply Option Kit (When using the Compaq Hot Plug Redundant Power Supply in conjunction with 10K-II rpm Drives (9 GB and 18 GB) please observe the following rules: 9-GB and 18GB 10K rpm Hot Plug Hard Drives. In a rack configuration at altitudes above 5000 feet (1.520 meters) the server must be operated in ambient temperatures not exceeding 86°F (30°C).)	283697-001
Compaq Hot Plug Redundant Power Supply Option Kit (Int'l) (When using the Compaq Hot Plug Redundant Power Supply in conjunction with 10K-II rpm Drives (9 GB and 18 GB) please observe the following rules: 9-GB and 18GB 10K rpm Hot Plug Hard Drives. In a rack configuration at altitudes above 5000 feet (1.520 meters) the server must be operated in ambient temperatures not exceeding 86°F (30°C).)	283697-B21
Compaq Hot Plug Redundant Power Supply Option Kit (Japan) (When using the Compaq Hot Plug Redundant Power Supply in conjunction with 10K-II rpm Drives (9 GB and 18 GB) please observe the following rules: 9-GB and 18GB 10K rpm Hot Plug Hard Drives. In a rack configuration at altitudes above 5000 feet (1.520 meters) the server must be operated in ambient temperatures not exceeding 86°F (30°C).)	283697-291
Compaq Hot Plug Redundant Power Supply (48 volt DC)	333590-B21

QUICK SPECS

Compaq ProLiant 1600
Pentium II Models

Options

Management Options

Integrated Management Display (Beach Gray)	264377-B23
Integrated Management Display Option (Opal)	127409-B21
Compaq Remote Insight Lights-Out Edition	157866-001
Compaq Remote Insight Lights-Out Edition (EURO)	157866-021
Compaq Remote Insight Lights-Out Edition (APD, Japan)	157866-371
Compaq Remote Insight (PCI) LAN + NA Modem	294013-002
Compaq Remote Insight Board (PCI) LAN/Serial without modem	294013-B24
Compaq Remote Insight Board (PCI) LAN only	294013-B25

Monitors

TFT8020 18" Flat Panel Monitor (Opal)	326100-001
TFT8020 18" Flat Panel Monitor (Carbon)	159244-001
TFT8020 18" Flat Panel Monitor (Opal, bulk pack 2 monitor heads per box)	173610-001
TFT8000 (carbon, with protective cover)	307935-001
TFT8000 (opal, with protective cover)	307931-001
TFT8000 (carbon, no protective cover)	307932-001
TFT8000 (opal, no protective cover)	307906-001
TFT5010 15" Flat Panel Monitor (Opal)	104741-001
TFT5010 15" Flat Panel Monitor (Carbon)	154486-001
TFT 5000R Rackmount Flat Panel	120207-001
P1100 Color	325606-001
P900 Color	386326-001
P700 Color	380207-001
V1100 Color	386472-001
V700 Color (Opal)	325800-001
V700 Color (Carbon)	325800-002
V500 Color	325900-001
S510 Color	168636-001
S710 Color	152991-001
S910 Color	138485-001

Note: Monitors larger than 17" may be too heavy for use in rack systems.

External Tape Drives

External 20/40-GB DAT DDS-4 Tape Drive	157770-001
External 20/40-GB DAT DDS-4 Tape Drive (Int'l)	157770-B31
External 20/40-GB DAT DDS-4 Tape Drive (Japan)	157770-291
External 35/70-GB DLT Drive	242521-B21
External 35/70-GB DLT Drive (Japan)	242521-291
External 20/40-GB DLT Drive (Opal)	340744-B22
External 20/40-GB DLT Drive (Opal) (Japan)	340744-292
External AIT 50-GB Tape Drive	157767-001
External AIT 50-GB Tape Drive (Int'l)	157767-B31
External AIT 50-GB Tape Drive (Japan)	157767-291
External AIT 35-GB Tape Drive	388507-001
External AIT 35-GB Tape Drive (Int'l)	388507-B31
External AIT 35-GB Tape Drive (Japan)	388507-291
20/40-GB DAT 8 Cassette Autoloader - External	166505-001
20/40-GB DAT 8 Cassette Autoloader - External (Int'l)	166505-B31

QUICKSPECS

Compaq ProLiant 1600
Pentium II Models

Options

External Tape Drives *(continued)*

20/40-GB DAT 8 Cassette Autoloader – External (Japan)	166505-291
12/24-GB DAT DDS-3 8 Cassette autoloader (external)	110946-001
4-GB DDS-2 DAT Cassette	137611-001
DDS-4 Media (10 pack)	152842-001
12/24-GB DDS-3 DAT 8 Cassette Pre-Filled Magazine (7 data cassettes, 1 cleaning cassette)	134117-B21
20/40-GB DAT 8 Cassette Magazine w/Media	171532-B21
12-GB DDS-3 DAT Cassette (10 pack)	295515-B21
DAT Cleaning Cassette	242781-001
AIT 50-GB Data Cassette (5 pack)	152841-001
AIT 35-GB Data Cassette (5 pack)	402371-B21
AIT Cleaning Cassette	402374-B21

External Storage - Tower

Compaq StorageWorks Enclosure Model 4214T (tower)	124875-001
Compaq StorageWorks Enclosure Model 4214T (tower) (Int'l)	124875-B31
Compaq StorageWorks Enclosure Model 4214T (tower) (Japan)	124875-291
Note: The Compaq StorageWorks Enclosure 4200 Family support the Wide Ultra2/Ultra3 1" Hot Plug Hard Drives.	
SCSI Storage Expander II	332609-001
ProLiant Tower Storage System Model UE	348710-002
ProLiant Storage System Tower Model UE (Int'l)	348710-B31
ProLiant Storage System Tower Model UE (Japan)	348710-291
ProLiant Tower Storage System Model U2	304110-B22
ProLiant Storage System Tower Model U2 (Int'l)	304114-B32
ProLiant Storage System Tower Model U2 (Japan)	304114-292
Note: The Compaq ProLiant Storage System Models UE and U2 support the Wide-Ultra SCSI-3 Drives.	
ProLiant Storage System Model F1 or U1 to Model UE Upgrade Kit	348718-B21
ProLiant Storage System Model F1 or U1 to Model UE Upgrade Kit (Japan)	348718-291
ProLiant Storage System Model F2 or U2 to Model UE Upgrade Kit	348706-B21
ProLiant Storage System Model F2 or U2 to Model UE Upgrade Kit (Japan)	348706-291
Conversion Kit, SB to DB/U	304116-B21
Conversion Kit, DB to SB/U	304115-B21
ProLiant Storage System/U Redundant Power Supply Option	224206-001
ProLiant Storage System/U Redundant Power Supply Option (Int'l)	224214-001
StorageWorks Enclosure 4200 Redundant Power Supply Option	119826-B21
StorageWorks Enclosure 4200 Dual Bus Module Option	119829-B21
StorageWorks Enclosure Tower to Rack Conversion Kit	150213-B21

External Storage – Rack

Compaq StorageWorks Enclosure Model 4214R (rack-mountable)	103381-001
Compaq StorageWorks Enclosure Model 4214R (rack-mountable) (Int'l)	103381-B31
Compaq StorageWorks Enclosure Model 4214R (rack-mountable) (Japan)	103381-291
Compaq StorageWorks Enclosure Model 4254R (rack-mountable)	138151-001
Compaq StorageWorks Enclosure Model 4254R (rack-mountable) (Int'l)	138151-B31
Compaq StorageWorks Enclosure Model 4254R (rack-mountable) (Japan)	138151-291
Note: The Compaq StorageWorks Enclosure 4200 Family support the Wide Ultra2/Ultra3 1" Hot Plug Hard Drives.	
Rack-Mountable SCSI Storage Expander II	332607-001
Rack-Mountable SCSI Storage Expander II (Int'l)	332607-B31

QUICKSPECS

Compaq ProLiant 1600
Pentium II Models

Options

External Storage – Rack *(continued)*

Rack-Mountable ProLiant Storage System Model UE	348700-001
Rack-Mountable ProLiant Storage System Model UE (Int'l)	348700-B31
Rack-Mountable ProLiant Storage System Model UE (Japan)	348700-291
Rack-Mountable ProLiant Storage System Model U2	304100-B22
Rack-Mountable ProLiant Storage System Model U2 (Int'l)	304104-B32
Rack-Mountable ProLiant Storage System Model U2 (Japan)	304104-292
ProLiant Storage System Model F1 or U1 to Model UE Upgrade Kit	348718-B21
ProLiant Storage System Model F1 or U1 to Model UE Upgrade Kit (Japan)	348718-291
ProLiant Storage System Model F2 or U2 to Model UE Upgrade Kit	348706-B21
ProLiant Storage System Model F2 or U2 to Model UE Upgrade Kit (Japan)	348706-291
ProLiant Storage System/U Redundant Power Supply Option	224206-B21
ProLiant Storage System/U Redundant Power Supply Option (Int'l)	224214-001
StorageWorks Enclosure 4200 Redundant Power Supply Option	119826-B21
StorageWorks Enclosure 4200 Dual Bus Module Option	119829-B21
StorageWorks Enclosure Tower to Rack Conversion Kit	150213-B21

Server Recovery

Recovery Server Option for ProLiant Storage System Model U1 & F1	304117-B21
ProLiant Storage System RSO/U Tower	387490-002
ProLiant Storage System RSO/U Tower (Int'l)	387490-B32
ProLiant Storage System RSO/U Tower (Japan)	387490-292
Rack-Mountable ProLiant Storage System RSO/U	387256-001
Rack-Mountable ProLiant Storage System RSO/U (Int'l)	387256-B31
Rack-Mountable ProLiant Storage System RSO/U (Japan)	387256-291
Note: The Compaq ProLiant Storage System RSO/U Models support the Wide-Ultra SCSI-3 Drives.	
Wide-Ultra SCSI-3 Duplexing Drive Cage Option Kit	264368-001

DLT Libraries

DLT Tape Array Model 0	199860-001
DLT Tape Array II Model 35/70-4 (U.S.) no software	295165-001
DLT Tape Array II Model 35/70-4 no software (Int'l)	295165-B31
DLT Library 15 Cartridge Model 35/70-1	350365-001
DLT Library 15 Cartridge Model 35/70-2 (Models not available in North America.)	350365-002
DLT Library 15 Cartridge Model 35/70-1 (Japan)	350365-291
DLT Library 15 Cartridge Model 35/70-2 (Japan)	350365-292
DLT Library 15 Cartridge Model 20/40-1	350362-001
DLT Library 15 Cartridge Model 20/40-2	350362-002
DLT Library 15 Cartridge Model 20/40-1 (Int'l)	350362-B31
DLT Library 15 Cartridge Model 20/40-1 (Japan)	350362-291
DLT Library 15 Cartridge Model 20/40-2 (Int'l)	350362-B32
35/70 DLT Library Ready Drive	295557-B21
35/70 DLT Library Ready Drive (Japan)	295557-291
20/40 DLT Library Ready Drive	350364-B21
20/40 DLT Library Ready Drive (Japan)	350364-B21
DLT Library Tabletop Conversion Kit	295162-B21
TL891 DLT library unit, 1 drive Table Top	120875-B21
TL891 DLT library unit, 2 drive Table Top	120875-B22
TL891 DLT library unit, 1 drive Rack	120876-B21

QUICKSPECS

Compaq ProLiant 1600
Pentium II Models

Options

DLT Libraries (continued)

TL891 DLT library unit, 2 drive Rack	120876-B22
TL881 DLT Library, 1 drive Table Top, FWD	128667-B21
TL881 DLT Library, 2 drive Table Top, FWD	128667-B22
TL881 DLT Library, 1 drive Table Top, FWSE	128668-B21
TL881 DLT Library, 2 drive Table Top, FWSE	128668-B22
TL881 DLT Library, 1 drive Rack	128669-B21
TL881 DLT Library, 2 drive Rack	128669-B22
MiniLibrary Data Unit	128670-B21
MiniLibrary Expansion Unit	120877-B21
Type IV DLT Drive Cassette (single)	295194-B21
Type IV DLT Drive Cassette (7 pack)	295192-B21
DLT Cleaning Cartridge	199704-001
DLT Tape Array Cable Kit	242427-001
DLT Magazine with five Type IV DLT Tape	295168-B21
10 Slot Magazine	120881-B21
Add-On 35/70-GB Drive for TL891	120878-B31
Add-On 20/40-GB Drive for TL881	128671-B21
MiniLibrary Pass Thru Mechanism Kit	120880-B21
MiniLibrary Table Top to Rack Mount Conversion Kit, Metric/RETMA racks	120882-B21
MiniLibrary Table Top to Rack Mount Conversion Kit, Compaq racks	120883-B21
DLT7000 drive upgrade kit	349351-B21

Note: The DLT 15 Cartridge Library Model 20/40 or Model 35/70 can be mounted in a Compaq rack. To use any model of the library on a tabletop, the customer would purchase one of the Library Models listed above and would also order the Tabletop Conversion Kit (295162-B21) to provide metal top and side covers. Refer to the Compaq DLT Libraries QuickSpec for details.

DLT Library Model 20/40 or 35/70 includes one 20/40 DLT data cartridge or one 35/70 DLT data cartridge and three empty 5-cartridge magazines. US 350362-001/-002 (1 drive/2 drive) includes U.S. power cord, US 295555-001/-002 (1 drive/2 drive) includes U.S. power cord, Int'l -B31/B32 (1 drive/2 drive) CTO power cord for country ordering the unit.

Note: The TL891 library unit (1 & 2 drive) or the TL881 library unit (1 & 2 drive) require country kits (349386-001, 349386-011, 349386-AR1, 349386-021, 349386-031, 349386-111, 349386-061, 349386-081 or 349386-291), SCSI Cable kits (328215-001, 328215-002, 328215-003 or 328215-004) and ProLiant Connectivity Kits (113395-001 or 113396-001). Please refer to the TL891/881 Automated DLT Tape Library Solution QuickSpecs for further details.

StorageWorks RAID Array 4000

StorageWorks Raid Array 4000 (tower)	241300-001
StorageWorks Raid Array 4100 (rack)	146013-001
StorageWorks Raid Array 4100 (rack) (Int'l)	146013-B31
StorageWorks Raid Array 4100 (rack) (Japan)	146013-291
Fibre Channel Storage Hub 12	295573-001
Fibre Channel Storage Hub 7	234453-001
Compaq Storage Hub 7 Universal Rack Mount Kit	136127-B21
Fibre Channel Storage Hub – 12 Port with 41U/42U Bracket	295573-B22
Fibre Channel Storage Hub 12 Management Option	159262-B21
Fibre Channel Host Adapter Kit/P	223180-B21
StorageWorks Raid Array 4000 Redundant Array Controller	223187-B21
64-Bit/66Mhz Fibre Channel Host Adapter	120186-B21
64-Bit/66Mhz Fibre Channel Host Adapter (Japan)	120186-291
GBIC-SW Connector Kit (two each)	234459-B21

QUICKSPECS

Compaq ProLiant 1600
Pentium II Models

Options

StorageWorks RAID Array 4000 *(continued)*

GBIC-LW Connector Kit (two each)	340412-B21
Fibre Channel Connection Kit, 3 SW GBIC, 2 Cables	380579-B21
Fibre Channel Connection Kit, 2 SW GBIC, 2 Cables	380596-B21
Fibre Channel Short Wave GBIC	380561-B21
Fibre Channel Long Wave GBIC	127508-B21
2m Multi-Mode Fibre Channel Cable	234457-B21
5m Multi-Mode Fibre Channel Cable	234457-B22
15m Multi-Mode Fibre Channel Cable	234457-B23
30m Multi-Mode Fibre Channel Cable	234457-B24
50m Multi-Mode Fibre Channel Cable	234457-B25
Raid Array 4000 Redundant Power Supply	224206-001
Raid Array 4000 Tower to Rack Conversion Kit	297162-B21
Raid Array 4100 Rack to Tower Conversion Kit	154253-B21
Upgrade Kit for ProLiant Storage System F and F1	296324-B21
Fibre Channel Troubleshooting Kit	234468-B21

RAID Array 7000

Departmental Subsystem

Dual controller configuration	DS-SWXRA-HA
Single controller configuration	DS-SWXRA-HC
Expansion building block	DS-SWXRA-HB

StorageWorks UltraSCSI Controllers

Redundant UltraSCSI controller with 64-MB cache (requires DS-Hs35X-BC/BD battery)	DS-HSZ70-AH
64-MB expansion cache module (redundant controllers require equal amounts of cache)	DS-HSSIM-AB
Single replacement or additional cache battery	HS35X-BA
Dual replacement or additional cache battery	HS35X-BB

Note: Please see the Compaq StorageWorks Fibre Channel RAID Array 8000, 7000, ESA 10000 or 12000 QuickSpecs for FC Hubs, FC switches, platform software, host adapters, disks and options for complete solutions.

RAID Array 8000

Departmental Pedestal Models

RA8000 FC Single Controller (Opal)	380560-B22
RA8000 FC Dual Controller (Opal)	380550-B22
Expansion Cabinet 24 slot (Opal)	380570-B22

Rack Mountable Models

RA8000 FC Single Controller	380670-B21
RA8000 FC Dual Controller	380550-B21
Expansion Cabinet 24 slot	380570-B21

Note: Please see the Compaq StorageWorks Fibre Channel RAID Array 8000, 7000, ESA 10000 or 12000 QuickSpecs for FC Hubs, FC switches, platform software, host adapters, disks and options for complete solutions.

Enterprise Storage Array 10000

High-capacity and general business base unit configuration (60 Hz)	DS-SWXES-AA
High-capacity and general business base unit configuration (50 Hz)	DS-SWXES-AB
High bandwidth base unit configuration (60 Hz)	DS-SWXES-BA
High bandwidth base unit configuration (50 Hz)	DS-SWXES-BB
Dual expansion configuration (60 Hz)	DS-SWXES-CA
Dual expansion configuration (50 Hz)	DS-SWXES-CB
Single expansion configuration (60 Hz)	DS-SWXES-DA

QUICKSPECS

Compaq ProLiant 1600
Pentium II Models

Options

Enterprise Storage Array 10000 (continued)

Single expansion configuration (50 Hz)	DS-SWXES-DB
Data Center Options	
64-MB cache memory upgrade for DS-HSZ70-AH controller (60 Hz)	DS-HSSIM-AB
Redundant power (requires all 3 parts)	
180-Watt power supply (60 Hz)	DS-BA35X-HH
AC input box (60 Hz)	DS-BA35X-HE
Power distribution unit (60 Hz)	DS-SW6XP-aa
Power distribution unit (50 Hz)	DS-SW6XP-AB

Note: Please see the Compaq StorageWorks Fibre Channel RAID Array 8000, 7000, ESA 10000 or 12000 QuickSpecs for FC Hubs, FC switches, platform software, host adapters, disks and options for complete solutions.

Enterprise Storage Array 12000

High-Capacity/General Business - Dual Controllers 48 slots, 60 Hz (Opal)	380600-002
High-Capacity/General Business - Dual Controllers 48 slots, 50 Hz (Opal)	380610-B22
High Bandwidth Quad controllers 48 slots, 60 Hz (Opal)	380620-002
High Bandwidth Quad controllers 48 slots, 50 Hz (Opal)	380630-B22
Single Expansion Dual controllers 24 slots, 25U extra cabinet space, 60 Hz (Opal)	380580-002
Single Expansion Dual controllers 24 slots, 25U extra cabinet space, 50 Hz (Opal)	380590-B22
Expansion enclosure 48 slots, 60 Hz (Opal)	380640-002
Expansion enclosure 48 slots, 50 Hz (Opal)	380650-B22

Note: Please see the Compaq StorageWorks Fibre Channel RAID Array 8000, 7000, ESA 10000 or 12000 QuickSpecs for FC Hubs, FC switches, platform software, host adapters, disks and options for complete solutions.

StorageWorks Modular Array 8000/Enterprise Modular Array 12000

EMA12000 D14 60Hz	175990-B21
EMA12000 D14 50Hz	175990-B22
EMA12000 S14 60Hz	175991-B21
EMA12000 S14 50Hz	175991-B22
MA8000 60Hz	175992-B21
MA8000 50Hz	175992-B22
EMA12000 Blue 60Hz	175993-B21
EMA12000 Blue 50Hz	175993-B22

Note: Options include controller, solution kits, ACS. MA8000/EMA12000 includes controller shelf, drive shelves and cabinet. Packaging upgrade to RA8000/ESA12000.

Note: Please see the Compaq StorageWorks MA8000/EMA12000 QuickSpecs for FC Hubs, FC switches, platform software, host adapters, disks and options for complete solutions.

StorageWorks Options

Fibre Channel Tape Controller – II	152975-001
Fibre Channel Tape Controller – II (Int'l)	152975-B31
Fibre Channel Tape Controller – II (Japan)	152975-291
Fibre Channel Storage Switch 16	380578-B21
Fibre Channel Storage Switch 8	380591-B21
Fibre Channel SAN Switch/8 with Fabric Operating Software	158222-B21
Fibre Channel SAN Switch/16 with Fabric Operating Software	158223-B21
F200 Clustering Kit	380357-B21

QUICK SPECS

Compaq ProLiant 1600
Pentium II Models

Options

Uninterruptible Power Systems - Tower

UPS Model T1000 (100-127 volt)	242688-001
UPS Model T1000h (200-240 volt) (Int'l)	242688-002
UPS Model T1500 (100-127 volt)	242688-003
UPS Model T1500h (200-240 Volt) (Int'l)	242688-004
UPS Model T1500j (100-127 Volt) (Japan)	242688-293
UPS Model T2000 (100-127 volt)	242688-005
UPS Model T2000j (100-127 volt) (Japan)	242688-295
UPS Model T2400h-NA (200-240 volt)	242688-006
UPS Model T2400h (200-240 volt) (Int'l)	242688-007
Multi-Server UPS Card	123508-B21
Scalable UPS Card	123509-B21
SNMP-EN Adapter	347225-B21
High to Low Voltage Transformer (250VA)	388643-B21

Uninterruptible Power Systems - Rack

Rack-Mountable UPS R1500 (100-127 VAC) (NA)	242704-001
Rack-Mountable UPS R1500h (200-230 VAC) (Int'l)	242704-002
Rack-Mountable UPS R1500j (100-127 VAC) (Japan)	242704-291
Rack-Mountable UPS R3000 100-127 VAC) (NA)	242705-001
Rack-Mountable UPS R3000h (208-240 VAC) (Int'l)	242705-002
Rack-Mountable UPS R3000h-NA (208-240 VAC) NDC (non-detached cord)	242705-003
Rack-Mountable UPS R3000j 100-127 VAC) (Japan)	242705-291
Rack-Mountable UPS R6000 (208 VAC default) (NA)	347207-001
Rack-Mountable UPS R6000 (230 VAC default) (Int'l)	347207-B31
Rack-Mountable UPS R6000 (200 VAC default) (Japan)	347207-291
R6000 Extended Runtime Module	347224-B21
SNMP-EN Adapter	347225-B21
High to Low Voltage Transformer (250VA)	388643-B21
Multi-Server UPS Card	123508-B21
Scalable UPS Card	123509-B21

Please see the Compaq Rack Builder for configuration assistance at www.compaq.com/products/storageworks/rack_accessories/rackbuilderpro2.html or download it at www.compaq.com/support/files/server/us/download/6956.html

Rack Conversion Kit

Compaq Tower-to-Rack Conversion Kit	387798-B21
-------------------------------------	------------

Compaq Rack 9000 Series (Opal)

Compaq Rack 9142 (42U) - Pallet	120663-B21
Compaq Rack 9142 (42U) - Shock Pallet	120663-B22
Compaq Rack 9142 (42U) - Crated	120663-B23
Compaq Rack 9136 (36U) - Pallet	120664-B21
Compaq Rack 9136 (36U) - Shock Pallet	120664-B22
Compaq Rack 9136 (36U) - Crated	120664-B23
Compaq Rack 9122 (22U) - Pallet	120665-B21
Compaq Rack 9122 (22U) - Shock Pallet	120665-B22
Compaq Rack 9122 (22U) - Crated	120665-B23

Note: -B21 part numbers are for all Geos
 -B22 part numbers are used to ship configured racks (by custom systems, VARs and Channels)
 -B23 part numbers are used for air shipments

QUICKSPECS

Compaq ProLiant 1600
Pentium II Models

Options

Compaq Rack 7000 Series (Beach Gray)

Compaq Rack 7142 (42U) (NA)	165753-001
Compaq Rack 7142 (42U) (Air Shipment)	165753-002
Compaq Rack 7142 (42U) (Int'l)	165753-003
Compaq Rack 7142 (42U) (Japan)	165753-293
Compaq Rack 7122 (22U) (NA)	163747-001
Compaq Rack 7122 (22U) (Int'l)	163747-002
Compaq Rack 7122 (22U) (Japan)	163747-292

Compaq Rack 4000 Series (Beach Gray)

Compaq Rack 4136 (36U) (NA)	303656-001
Compaq Rack 4136 (36U) (Air Shipment)	303656-B21
Compaq Rack 4136 (36U) (Int'l)	303656-B31

Rack Options for Compaq Rack 9000 Series

Baying Kit	120669-B21
9142 Side Panel Kit	120670-B21
9136 Side Panel Kit	120671-B21
Ballast Option Kit	120672-B21
Stabilizer Option Kit	120673-B21
Rack Rail Adapter Kit (25" depth)	120675-B21
Fan (110 VAC) Roof Mount	120677-B21
Fan (220 VAC) Roof Mount	120678-B21
Bustle Kit	120679-B21
Grounding Rack Option Kit	120682-B21

Rack Options for Compaq Rack 7000 Series

Rack Sidewall Kit (42U only)	165652-001
Rack Coupling Kit (42U only)	165664-001
Stabilizing Feet (42U only)	189907-001
High Air Flow Rack Door Insert for 7122	157847-B21
High Air Flow Rack Door Insert for 7142	327281-B21
High Air Flow Rack Door Insert for 7142 (6 pack)	327281-B22
Compaq Rack Extension Kit for 7142	154392-B21

Rack Options for Compaq Rack 4000 Series

Compaq Rack Frame 4136 (36U)	303668-001
Compaq Rack Frame 4136 (36U) (Air Shipment)	303668-B21
Compaq Rack Frame 4136 (36U) (Int'l)	303668-B31
Rack Sidewall Kit (36U only)	303658-B21
Rack Coupling Kit (36U only)	303657-B21
Stabilizing Feet (36U only)	303659-B21
Rack Frame 36U Front Door Kit	303669-B21
Rack Frame 36U Back Door Kit	303670-B21

Rack Options for Compaq Rack 4000, 7000 and 9000 Series

Sliding Shelf Kit	332564-B21
Monitor Utility Shelf	303606-B21
Rack Blanking Panel Kit (US) (Beach Gray)	169940-001
Rack Blanking Panel Kit (US) (Opal)	169940-B21

QUICKSPECS

Compaq ProLiant 1600 Pentium II Models

Options

Rack Options for Compaq Rack 4000, 7000 and 9000 Series (continued)

Compaq Networking Cable Management Kit	292407-B21
Compaq Networking Recessed Rail Management Kit	292406-B21
High Capacity Cable Management Arm Kit	124711-B21
Compaq Power Distribution Unit – Low Voltage PDU (NA)	295363-001
Compaq Power Distribution Unit – Low Voltage PDU (Japan)	295363-291
Compaq Power Distribution Unit – High Voltage PDU (NA)	295363-002
Compaq Power Distribution Unit – High Voltage PDUh-WW (Int'l)	295363-B21
Compaq Power Distribution Unit – High Voltage PDUh-NDC (non-detached cord) (Int'l)	295363-B32
Compaq Power Distribution Unit, 30A (NA only)	295363-003
Server Console Switch 1 x 2 port (100-230 VAC)	120206-001
Server Console Switch 1 x 2 port (100-230 VAC) (Int'l)	120206-B31
Server Console Switch 1 x 2 port (100-230 VAC) (Japan)	120206-291
Server Console Switch 1 x 4 port (100-230 VAC)	400336-001
Server Console Switch 1 x 4 port (100-230 VAC) (Int'l)	400336-B31
Server Console Switch 1 x 4 port (100-230 VAC) (Japan)	400336-291
Server Console Switch 1 x 8 port (100-230 VAC)	400337-001
Server Console Switch 1 x 8 port (100-230 VAC) (Int'l)	400337-B31
Server Console Switch 1 x 8 port (100-230 VAC) (Japan)	400337-291
Server Console Switch 2 x 8 port (100-230 VAC)	400338-001
Server Console Switch 2 x 8 port (100-230 VAC) (Int'l)	400338-B31
Server Console Switch 2 x 8 port (100-230 VAC) (Japan)	400338-291
Server Console Switch 2 x 8 port (48VDC)	400542-B21
CPU to Server Console Cable, 12'	110936-B21
CPU to Server Console Cable, 20'	110936-B22
CPU to Server Console Cable, 40'	110936-B23
CPU to Server Console Cable (Plenum Rated) 20'	149363-B21
CPU to Server Console Cable (Plenum Rated) 40'	149364-B21
Switch Box Connector Kit (115V)	144007-001
Switch Box Connector Kit (230V)	144007-002
Switch Box Connector Kit (high voltage) (Int'l)	144007-B33
Rack Internal Trackball Keyboard (Opal) (UK)	185152-036
Rack Internal Trackball Keyboard (Opal) (Germany)	185152-046
Rack Internal Trackball Keyboard (Opal) (France)	185152-056
Rack Internal Trackball Keyboard (Opal) (Italy)	185152-066
Rack Internal Trackball Keyboard (Opal) (Spain)	185152-076
Rack Internal Trackball Keyboard (Opal) (Denmark)	185152-086
Rack Internal Trackball Keyboard (Opal) (Norway)	185152-096
Rack Internal Trackball Keyboard (Opal) (Sweden/Finland)	185152-106
Rack Internal Trackball Keyboard (Opal) (Switzerland)	185152-116
Rack Internal Trackball Keyboard (Opal) (Portugal)	185152-136
Rack Internal Trackball Keyboard (Opal) (Belgium)	185152-186
Rack Internal Trackball Keyboard (Opal) (Japan)	185152-296
Rack Internal Trackball Keyboard (Opal) (US)	185152-406
Rack Internal Trackball Keyboard (Opal) (Int'l)	185152-B36
1U Rack Keyboard Drawer	338056-B21
Keyboard/Monitor/Mouse extension cables	169989-001

QUICK SPECS

Compaq ProLiant 1600
Pentium II Models

Options

Rack Options for Third Party Cabinet Racks

Depth Adjustable Fixed Rails	332558-B21
------------------------------	------------

Other

Thermal Upgrade Option Kit (550 MHz/600 MHz) (To Upgrade 400-MHZ, 450-MHZ, or 500-MHZ models to the 550-MHz or 600-MHz or when upgrading a 550-MHz to the 600-MHz model, installation of an additional Thermal Upgrade Option Kit (144003-B22) is required. Failure to install this kit when upgrading may cause damage to the server and will void the warranty.)	144003-B22
Wide Ultra3 SCSI Cable Option Kit (Non-hot plug Wide Ultra3 drives are supported only in the removable media bays and required the Ultra3 Cable Option Kit (166391-B21). An option Ultra3 controller must be purchased in order for the Ultra3 drives to operate at Ultra3 speeds.)	166391-B21
Internal Ultra3 Cable Option Kit, NHP	166389-B21
Internal Ultra3 Cable Option Kit, HP	166390-B21

Service Upgrades (CarePaks)

Hardware Services 4-Hour On-site Service

4-Hour On-site Service, 9-Hour x 5-Day Coverage, 3 Years (2-5-2 Part Number for US)	FM-LO4HR-36
4-Hour On-site Service, 9-Hour x 5-Day Coverage, 3 Years (2-5-2 Part Number for Canada)	FP-LO4HR-36
4-Hour On-site Service, 9-Hour x 5-Day Coverage, 3 Years (6-3 Part Number for US)	162658-002
4-Hour On-site Service, 9-Hour x 5-Day Coverage, 3 Years (6-3 Part Number for Canada)	162658-122
4-Hour On-site Service, 9-Hour x 5-Day Coverage, 3 Years (6-3 Part Number for EMEA)	324417-002
4-Hour On-site Service, 24-Hour x 7-Day Coverage, 3 Years (2-5-2 Part Number for US)	FM-LO724-36
4-Hour On-site Service, 24-Hour x 7-Day Coverage, 3 Years (2-5-2 Part Number for Canada)	FP-LO724-36
4-Hour On-site Service, 24-Hour x 7-Day Coverage, 3 Years (6-3 Part Number for US)	162657-002
4-Hour On-site Service, 24-Hour x 7-Day Coverage, 3 Years (6-3 Part Number for Canada)	162657-122
4-Hour On-site Service, 24-Hour x 7-Day Coverage, 3 Years (6-3 Part Number for EMEA)	376912-022

Installation & Start-up Services

Hardware Installation (2-5-2 Part Number for US)	FM-LOINS-IN
Hardware Installation (2-5-2 Part Number for Canada)	FP-LOINS-IN
Hardware Installation (6-3 Part Number for US)	401792-002
Hardware Installation (6-3 Part Number for Canada)	401792-122
Hardware Installation (6-3 Part Number for EMEA)	Quote
O/S & Hardware Installation (2-5-2 Part Number for US) (Hardware installation plus two days O/S start-up activity (install, config, network access & orientation).)	FP-CXHSI-02
O/S & Hardware Installation (6-3 Part Number for US) (Hardware installation plus two days O/S start-up activity (install, config, network access & orientation).)	160556-002
O/S & Hardware Installation (6-3 Part Number for EMEA) (Hardware installation plus two days O/S start-up activity (install, config, network access & orientation).)	Quote

Business Solutions Priority Service Plan – Priority Level

5 x 9 4-hour H/W, 5 x 9 2-hour O/S (NT & NetWare), Three Years (2-5-2 Part Number for US)	FP-CX102-36
5 x 9 4-hour H/W, 5 x 9 2-hour O/S (NT & NetWare), Three Years (2-5-2 Part Number for Canada)	FP-CZ102-36
5 x 9 4-hour H/W, 5 x 9 2-hour O/S (NT & NetWare), Three Years (6-3 Part Number for US)	155324-002
5 x 9 4-hour H/W, 5 x 9 2-hour O/S (NT & NetWare), Three Years (6-3 Part Number for Canada)	155324-122
5 x 9 4-hour H/W, 5 x 9 2-hour O/S (NT & NetWare), Three Years (6-3 Part Number for EMEA)	118310-022

QUICKSPECS

Compaq ProLiant 1600
Pentium II Models

Options

Service Upgrades (CarePacs) *(continued)*

Business Solutions Priority Service Plan – Priority 24 Level

7 x 24 4-hour H/W, 7 x 24 2-hour O/S (NT & NetWare), Three years (2-5-2 Part Number for US)	FP-CX202-36
7 x 24 4-hour H/W, 7 x 24 2-hour O/S (NT & NetWare), Three years (6-3 Part Number for US)	155328-002
7 x 24 4-hour H/W, 7 x 24 2-hour O/S (NT & NetWare), Three years (6-3 Part Number for EMEA)	118316-022

Business Solutions Priority Service Plan – Priority Plus Level

7 x 24 4-hour H/W, 7 x 24 1-hour O/S (NT & NetWare), SPS account review, Three Years (2-5-2 Part Number for US)	FP-CX302-36
7 x 24 4-hour H/W, 7 x 24 1-hour O/S (NT & NetWare), SPS account review, Three Years (2-5-2 Part Number for Canada)	FP-CZ302-36
7 x 24 4-hour H/W, 7 x 24 1-hour O/S (NT & NetWare), SPS account review, Three Years (6-3 Part Number for US)	155332-002
7 x 24 4-hour H/W, 7 x 24 1-hour O/S (NT & NetWare), SPS account review, Three Years (6-3 Part Number for Canada)	155332-122

Business Solutions Priority Service Plan – Priority Premier Level

7 x 24 2-hour H/W, 7 x 24 1-hour O/S (NT & NetWare), SPS Account Review, Proactive Management Review, named S/w rep, Three Years (2-5-2 Part Number for US)	FP-CX502-36
7 x 24 2-hour H/W, 7 x 24 1-hour O/S (NT & NetWare), SPS Account Review, Proactive Management Review, named S/w rep, Three Years (2-5-2 Part Number for Canada)	FP-CZ502-36
7 x 24 2-hour H/W, 7 x 24 1-hour O/S (NT & NetWare), SPS Account Review, Proactive Management Review, named S/w rep, Three Years (6-3 Part Number for US)	155336-002
7 x 24 2-hour H/W, 7 x 24 1-hour O/S (NT & NetWare), SPS Account Review, Proactive Management Review, named S/w rep, Three Years (6-3 Part Number for Canada)	155336-122

Business Solutions Priority Service Plan – Priority Executive Premier Level

7 x 24 2-hour H/W, 7 x 24 30-minute O/S (NT & NetWare), SPS Account Review, Proactive Management Review, named S/w rep, Three Years (2-5-2 Part Number for US)	FP-CX702-36
7 x 24 2-hour H/W, 7 x 24 30-minute O/S (NT & NetWare), SPS Account Review, Proactive Management Review, named S/w rep, Three Years (2-5-2 Part Number for Canada)	FP-CZ702-36
7 x 24 2-hour H/W, 7 x 24 30-minute O/S (NT & NetWare), SPS Account Review, Proactive Management Review, named S/w rep, Three Years (6-3 Part Number for US)	155340-002
7 x 24 2-hour H/W, 7 x 24 30-minute O/S (NT & NetWare), SPS Account Review, Proactive Management Review, named S/w rep, Three Years (6-3 Part Number for Canada)	155340-122

Note: For more information, customer/resellers can contact www.Compaq.com/services.

QUICKSPECS

Compaq ProLiant 1600
Pentium II Models

Memory

Compaq ProLiant 1600
All Models

STANDARD MEMORY

64-MB 100-MHz Registered ECC SDRAM memory standard

Standard	Slot			
	1	2	3	4
64 MB	64 MB	Empty	Empty	Empty

STANDARD MEMORY PLUS OPTIONAL MEMORY

Up to 832-MB memory is available with the optional installation of 100-MHz Registered ECC SDRAM memory kits.

Up To	Slot			
	1	2	3	4
832 MB	64 MB	256 MB	256 MB	256 MB

STANDARD MEMORY REPLACED WITH OPTIONAL MEMORY

Up to 1024 MB of memory is available with the removal of the standard 64 MB of memory and the optional installation of 100-MHz Registered ECC SDRAM memory kits.

Up To	Slot			
	1	2	3	4
1024 MB	256 MB	256 MB	256 MB	256 MB

Note: This chart does not represent all possible memory configurations.

Following are memory options available from Compaq:

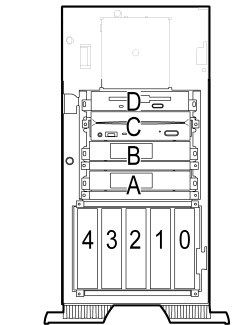
- 256-MB 100-MHz Registered ECC SDRAM 313616-B21
- 128-MB 100-MHz Registered ECC SDRAM 313615-B21
- 64-MB 100-MHz Registered ECC SDRAM 313614-B21

QUICKSPECS

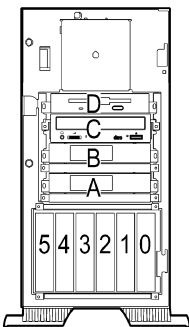
Compaq ProLiant 1600
Pentium II Models

Storage

TOWER DRIVE SUPPORT



- 0, 1, 5 x 1 1/2" Hot Pluggable Hard Drive Bays
 - 2, 3, 4 Two available half height bays
 - A, B High Speed CD-ROM IDE
 - C DVD-ROM Drive
 - D 3.5 in Diskette Drive
- Wide-Ultra SCSI-3 Drive Locations



- 0, 1, 6 x 1 1/2" Hot Pluggable Hard Drive Bays
 - 2, 3, 4, 5 Two available half height bays
 - A, B High Speed IDE CD-ROM Drive
 - C DVD-ROM Drive
 - D 3.5 in Diskette Drive
- Wide-Ultra SCSI-3 Drive Locations

	Quantity Supported	Position Supported	Controller
Removable Media			
1.44-MB Diskette Drive	Up to 1	D	Integrated
IDE CD-ROM Drive	Up to 2	B,C	Integrated IDE
DVD-ROM Drive	Up to 2	B,C	Integrated IDE
Hard Drives			
<i>Wide Ultra3 Hot Pluggable Drives (Optional Ultra2/Ultra3 Hot Plug Drive Cage required)</i>			
1-inch	Up to 6	0-5	Integrated Dual Channel Wide-Ultra SCSI-3 Adapter
18.2-GB 10,000 rpm			Smart Array 221 Controller
9.1-GB 10,000 rpm			Smart Array 431 Controller
			Smart Array 3200 Controller
			Smart Array 4200 Controller
			64-Bit Dual Channel Wide Ultra2 SCSI Adapter
			64-Bit/66-MHz Dual Channel Wide Ultra3 SCSI Adapter
Wide Ultra3 SCSI Non-Hot Plug			
1-inch	Up to 3	A,B, C	Integrated Dual Channel Wide-Ultra SCSI-3 Adapter
18.2-GB 10,000 rpm		(Using the C position requires the removal of CD-ROM)	Smart Array 221 Controller
9.1-GB 10,000 rpm			Smart Array 431 Controller
			Smart Array 3200 Controller
			Smart Array 4200 Controller
1.6-inch	Up to 2	A, B	64-Bit Dual Channel Wide Ultra2 SCSI Adapter
36.4-GB 10,000 rpm			64-Bit/66-MHz Dual Channel Wide Ultra3 SCSI Adapter
			64-Bit/66-MHz Single Channel Wide Ultra3 SCSI Adapter
Wide Ultra2 Hot Pluggable Drives (Optional Ultra2/Ultra3 Hot Plug Drive Cage required)			
1-inch	Up to 6	0-5	Integrated Dual Channel Wide-Ultra SCSI-3 Adapter
18.2-GB 10,000 rpm			Smart Array 221 Controller
18.2-GB			Smart Array 431 Controller
9.1-GB 10,000 rpm			Smart Array 3200 Controller
9.1-GB			Smart Array 4200 Controller
			64-Bit Dual Channel Wide Ultra2 SCSI Adapter
			64-Bit/66-MHz Dual Channel Wide Ultra3 SCSI Adapter
			64-Bit/66-MHz Single Channel Wide Ultra3 SCSI Adapter
Wide Ultra2 SCSI - Non-Hot Plug			
1-inch	Up to 3	A,B, C	Integrated Dual Channel Wide-Ultra SCSI-3 Adapter
18.2-GB		(Using the C position requires the removal of CD-ROM)	Smart Array 221 Controller
9.1-GB			Smart Array 431 Controller
			Smart Array 3200 Controller
			Smart Array 4200 Controller
			64-Bit Dual Channel Wide Ultra2 SCSI Adapter
			64-Bit/66-MHz Dual Channel Wide Ultra3 SCSI Adapter
			64-Bit/66-MHz Single Channel Wide Ultra3 SCSI Adapter
Wide-Ultra SCSI-3 - Hot Plug			
1-inch	Up to 5 (with cage option 264368-001)	0-4	Integrated Dual Channel Wide-Ultra SCSI-3 Adapter
18.2-GB 10,000 rpm			Smart Array 221 Controller
18.2-GB			Smart Array 431 Controller
9.1-GB 10,000 rpm			Smart Array 3200 Controller
9.1-GB	Up to 4 (with Duplex option)		Smart Array 4200 Controller
			64-Bit Dual Channel Wide Ultra2 SCSI Adapter
1.6-inch	Up to 2 (with Duplex cage option 264368-001)	0-3	64-Bit/66-MHz Dual Channel Wide Ultra3 SCSI Adapter
36.4-GB 10,000 rpm			Wide-Ultra SCSI-3 Adapter
36.4-GB			64-Bit/66-MHz Single Channel Wide Ultra3 SCSI Adapter

QUICKSPECS

Compaq ProLiant 1600
Pentium II Models

Storage

TOWER DRIVE SUPPORT *(continued)*

	Quantity Supported	Position Supported	Controller
External Storage			
StorageWorks Enclosure 4200 Family (supports Wide Ultra2/Ultra3 SCSI drives)	Up to 12	External	Smart Array 221 Controller Smart Array 431 Controller Smart Array 3200 Controller Smart Array 4200 Controller 64-Bit Dual Channel Wide Ultra2 SCSI Adapter 64-Bit/66-MHz Dual Channel Wide Ultra3 SCSI Adapter 64-Bit/66-MHz Single Channel Wide Ultra3 SCSI Adapter
ProLiant Storage System Models UE ProLiant Storage System Models U2 (supports Wide-Ultra SCSI-3 drives)	Up to 9 Up to 9	External	Integrated Dual Channel Wide-Ultra SCSI-3 Adapter Smart Array 221 Controller Smart Array 3200 Controller Smart Array 4200 Controller Wide-Ultra SCSI-3 Adapter
SCSI Storage Expander II	Up to 3	External	Integrated Dual Channel Wide-Ultra SCSI-3 Adapter Smart Array 3200 Controller Wide-Ultra SCSI-3 Adapter
StorageWorks Raid Array 4000 Kit StorageWorks Raid Array 4100 Kit	Up to 12	External	Fibre Channel Host Adapter

Maximum Storage Capacity *(Hot Plug)*

Internal: 91 GB (5 X 18.2-GB hot plug hard drives)
 External: 2.62 TB (9 ProLiant Storage Systems, each with 8 x 36.4-GB hard drives)
 Total: 2.71 TB

Maximum Storage Capacity *(Hot Plug & Non-Hot Plug)*

Internal: 163.8 GB (5 x 18.2-GB hot plug hard drives with 2 x 36.4-GB non-hot plug drives in removable media bays)
 External: 2.62 TB (9 ProLiant Storage Systems, each with 8 x 36.4-GB hard drives)
 Total: 2.78 TB

Maximum Storage Capacity *(StorageWorks Enclosure SCSI Attached)*

Internal: 91 GB (5 x 18.2-GB 1" hot plug hard drives)
 External: 3.057 TB hot plug SCSI storage (12 x (14 x 18.2 GB 1" Wide Ultra2/Ultra3))
 Total: 3.148 TB

QUICK SPECS

Compaq ProLiant 1600
Pentium II Models

Storage

TOWER DRIVE SUPPORT *(continued)*

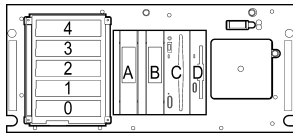
	Quantity Supported	Position Supported	Controller
Tape Drives			
Internal 4/8-GB DAT Internal 4/8-GB SLR Internal 12/24-GB DAT	Up to 2	A, B	Integrated Dual Channel Wide-Ultra SCSI-3 Adapter Compaq Wide-Ultra SCSI-3 Adapter 64-Bit/66MHz Dual Channel Wide Ultra3 SCSI Adapter 64-Bit/66MHz Single Channel Wide Ultra3 SCSI Adapter
20/40-GB DAT DDS-4 Tape Drive	Up to 2	A, B	Integrated Dual Channel Wide-Ultra SCSI-3 Adapter Compaq Wide-Ultra SCSI-3 Adapter 64-Bit/66MHz Dual Channel Wide Ultra3 SCSI Adapter 64-Bit/66MHz Single Channel Wide Ultra3 SCSI Adapter
12/24-GB DAT DDS-3 8 Cassette Autoloader 20/40-GB DAT DDS-4 8 Cassette Autoloader (internal) Internal 20/40-GB DLT Internal 35/70-GB DLT	1	B + C (two bays)	Integrated Dual Channel Wide-Ultra SCSI-3 Adapter Compaq Wide-Ultra SCSI-3 Adapter 64-Bit/66MHz Dual Channel Wide Ultra3 SCSI Adapter 64-Bit/66MHz Single Channel Wide Ultra3 SCSI Adapter
AIT 50-GB Internal AIT 50-GB External AIT 35-GB Internal AIT 35-GB External	1	A, B	Integrated Dual Channel Wide-Ultra SCSI-3 Adapter Compaq Wide-Ultra SCSI-3 Adapter 64-Bit/66MHz Dual Channel Wide Ultra3 SCSI Adapter 64-Bit/66MHz Single Channel Wide Ultra3 SCSI Adapter
DLT Tape Array II Model 35/70	1 to 4	External	Integrated Dual Channel Wide-Ultra SCSI-3 Adapter Compaq Wide-Ultra SCSI-3 Adapter
20/40-GB DLT 35/70-GB DLT	Up to 3	External	Integrated Dual Channel Wide-Ultra SCSI-3 Adapter Compaq Wide-Ultra SCSI-3 Adapter 64-Bit/66MHz Dual Channel Wide Ultra3 SCSI Adapter 64-Bit/66MHz Single Channel Wide Ultra3 SCSI Adapter
TL891 DLT Library (1 - 2 Drive) TL881 DLT Library (1 - 2 Drive)	2 drives per SCSI channel	External	Compaq Dual Channel Wide-Ultra SCSI-3 Adapter Compaq Wide-Ultra SCSI Adapter
DLT 15 Cartridge Library Model 35/70-1 DLT 15 Cartridge Library Model 35/70-2 DLT 15 Cartridge Library Model 20/40-1 DLT 15 Cartridge Library Model 20/40-2	1 Library per SCSI channel		Integrated Dual Channel Wide-Ultra SCSI-3 Adapter Compaq Wide-Ultra SCSI-3 Adapter

QUICKSPECS

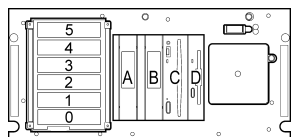
Compaq ProLiant 1600
Pentium II Models

Storage

RACK DRIVE SUPPORT



- 0,1, - 5 x 1-inch Hot Pluggable Hard Drive Bays
- 2,3,4 - Two available half height bays
- A,B - High Speed CD-ROM IDE
- C - 3.5 in Diskette Drive



- 0,1, = 6 x 1-inch Wide Ultra2 Hot Pluggable Hard Drive Bays
- 2,3,4,5 - Two available half height bays
- A = High Speed IDE CD-ROM
- B = 3.5 in Diskette Drive
- C = Wide Ultra2 SCSI Drive Locations

	Quantity Supported	Position Supported	Controller
Removable Media			
1.44-MB Diskette Drive	Up to 1	D	Integrated
IDE CD-ROM Drive	Up to 2	B,C	Integrated IDE
DVD-ROM Drive	Up to 2	B,C	Integrated IDE
Hard Drives			
<i>Wide Ultra3 Hot Pluggable Drives (Optional Ultra2/Ultra3 Hot Plug Drive Cage required)</i>			
1-inch	Up to 6	0-5	Integrated Dual Channel Wide-Ultra SCSI-3 Adapter
18.2-GB 10,000 rpm			Smart Array 221 Controller
9.1-GB 10,000 rpm			Smart Array 431 Controller
			Smart Array 3200 Controller
			Smart Array 4200 Controller
			64-Bit Dual Channel Wide Ultra2 SCSI Adapter
			64-Bit/66-MHz Dual Channel Wide Ultra3 SCSI Adapter
Wide Ultra3 Non-Hot Plug			
1-inch	Up to 3	A,B, C (Using the C position requires the removal of CD-ROM)	Integrated Dual Channel Wide-Ultra SCSI-3 Adapter
18.2-GB 10,000 rpm			Smart Array 221 Controller
9.1-GB 10,000 rpm			Smart Array 431 Controller
			Smart Array 3200 Controller
			Smart Array 4200 Controller
			64-Bit Dual Channel Wide Ultra2 SCSI Adapter
			64-Bit/66-MHz Dual Channel Wide Ultra3 SCSI Adapter
			64-Bit/66-MHz Single Channel Wide Ultra3 SCSI Adapter
Wide Ultra2 Hot Pluggable Drives (Optional Ultra2/Ultra3 Hot Plug Drive Cage required)			
1-inch	Up to 6	0-5	Integrated Dual Channel Wide-Ultra SCSI-3 Adapter
18.2-GB 10,000 rpm			Smart Array 221 Controller
18.2-GB			Smart Array 431 Controller
9.1-GB 10,000 rpm			Smart Array 3200 Controller
9.1-GB			Smart Array 4200 Controller
			64-Bit Dual Channel Wide Ultra2 SCSI Adapter
			64-Bit/66-MHz Dual Channel Wide Ultra3 SCSI Adapter
			64-Bit/66-MHz Single Channel Wide Ultra3 SCSI Adapter
Wide Ultra2 SCSI - Non-Hot Plug			
1-inch	Up to 3	A,B, C (Using the C position requires the removal of CD-ROM)	Integrated Dual Channel Wide-Ultra SCSI-3 Adapter
18.2-GB			Smart Array 221 Controller
9.1-GB			Smart Array 431 Controller
			Smart Array 3200 Controller
			Smart Array 4200 Controller
			64-Bit Dual Channel Wide Ultra2 SCSI Adapter
			64-Bit/66-MHz Dual Channel Wide Ultra3 SCSI Adapter
			64-Bit/66-MHz Single Channel Wide Ultra3 SCSI Adapter
Wide-Ultra SCSI-3 - Hot Plug			
1-inch	Up to 5 (with cage option 264368-001)	0-4	Integrated Dual Channel Wide-Ultra SCSI-3 Adapter
18.2-GB 10,000 rpm			Smart Array 221 Controller
18.2-GB			Smart Array 431 Controller
9.1-GB 10,000 rpm	Up to 4 (with Duplex option)		Smart Array 3200 Controller
9.1-GB			Smart Array 4200 Controller
			64-Bit Dual Channel Wide Ultra2 SCSI Adapter
			64-Bit/66-MHz Dual Channel Wide Ultra3 SCSI Adapter
1.6-inch	Up to 2 (with Duplex cage option 264368-001)	0-3	Wide-Ultra SCSI-3 Adapter
36.4-GB 10,000 rpm			64-Bit/66-MHz Single Channel Wide Ultra3 SCSI Adapter
36.4-GB			

QUICK SPECS

Compaq ProLiant 1600
Pentium II Models

Storage

RACK DRIVE SUPPORT *(continued)*

	Quantity Supported	Position Supported	Controller
External Storage			
StorageWorks Enclosure 4200 Family (supports Wide Ultra2/Ultra3 SCSI drives)	Up to 12	External	Smart Array 221 Controller Smart Array 431 Controller Smart Array 3200 Controller Smart Array 4200 Controller 64-Bit Dual Channel Wide Ultra SCSI Adapter 64-Bit/66-MHz Dual Channel Wide Ultra3 SCSI Adapter 64-Bit/66-MHz Single Channel Wide Ultra3 SCSI Adapter
ProLiant Storage System Models UE ProLiant Storage System Models U2 (supports Wide-Ultra SCSI-3 drives)	Up to 9 Up to 9	External	Integrated Dual Channel Wide-Ultra SCSI-3 Adapter Smart Array 221 Controller Smart Array 3200 Controller Smart Array 4200 Controller Wide-Ultra SCSI-3 Adapter
SCSI Storage Expander II	Up to 3	External	Integrated Dual Channel Wide-Ultra SCSI-3 Adapter Smart Array 3200 Controller Wide-Ultra SCSI-3 Adapter
StorageWorks Raid Array 4000 Kit StorageWorks Raid Array 4100 Kit	Up to 12	External	Fibre Channel Host Adapter

Maximum Storage Capacity *(Hot Plug)*

Internal:	91 GB
External:	2.62 TB (9 ProLiant Storage Systems, each with 8 x 36.4-GB hard drives)
Total:	2.71 TB

Maximum Storage Capacity *(Hot Plug & Non-Hot Plug)*

Internal:	163.8 GB (5 x 18.2 GB hot plug hard drives with 2 x 36.4 GB non hot plug drives in removable media bays)
External:	2.62 TB (9 ProLiant Storage Systems, each with 8 x 36.4-GB hard drives)
Total:	2.78 TB

Maximum Storage Capacity *(StorageWorks Enclosure SCSI Attached)*

Internal	91 GB (5 x 18.2-GB 1" hot plug hard drives)
External	3.057 TB hot plug SCSI storage (12 x (14 x 18.2GB 1" Wide Ultra2/Ultra3))
Total:	3.148 TB

QUICKSPECS

Compaq ProLiant 1600
Pentium II Models

Storage

DRIVE SUPPORT *(continued)*

	Quantity Supported	Position Supported	Controller
Tape Drives			
Internal 4/8-GB DAT Internal 4/8-GB SLR Internal 12/24-GB DAT	Up to 2	A, B	Integrated Dual Channel Wide-Ultra SCSI-3 Adapter Compaq Wide-Ultra SCSI-3 Adapter 64-Bit/66MHz Dual Channel Wide Ultra3 SCSI Adapter 64-Bit/66MHz Single Channel Wide Ultra3 SCSI Adapter
20/40-GB DAT DDS-4 Tape Drive	Up to 2	A, B	Integrated Dual Channel Wide-Ultra SCSI-3 Adapter Compaq Wide-Ultra SCSI-3 Adapter 64-Bit/66MHz Dual Channel Wide Ultra3 SCSI Adapter 64-Bit/66MHz Single Channel Wide Ultra3 SCSI Adapter
AIT 50 GB Internal AIT 50 GB External AIT 35 GB Internal AIT 35 GB External	1	A, B	Integrated Dual Channel Wide-Ultra SCSI-3 Adapter Compaq Wide-Ultra SCSI-3 Adapter 64-Bit/66MHz Dual Channel Wide Ultra3 SCSI Adapter 64-Bit/66MHz Single Channel Wide Ultra3 SCSI Adapter
12/24-GB DAT DDS-3 8 Cassette Autoloader 20/40-GB DAT DDS-4 8 Cassette Autoloader (internal) Internal 35/70-GB DLT Internal 20/40-GB DLT	1	B + C (two bays)	Integrated Dual Channel Wide-Ultra SCSI-3 Adapter Compaq Wide-Ultra SCSI-3 Adapter 64-Bit/66MHz Dual Channel Wide Ultra3 SCSI Adapter 64-Bit/66MHz Single Channel Wide Ultra3 SCSI Adapter
DLT Tape Array II Model 35/70	1 to 4	External	Integrated Dual Channel Wide-Ultra SCSI-3 Adapter Compaq Wide-Ultra SCSI-3 Adapter
20/40-GB DLT 35/70-GB DLT	Up to 3	External	Integrated Dual Channel Wide-Ultra SCSI-3 Adapter Compaq Wide-Ultra SCSI-3 Adapter 64-Bit/66MHz Dual Channel Wide Ultra3 SCSI Adapter 64-Bit/66MHz Single Channel Wide Ultra3 SCSI Adapter
TL891 DLT Library (1 - 2 Drive) TL881 DLT Library (1 - 2 Drive)	2 drives per SCSI channel	External	Compaq Dual Channel Wide-Ultra SCSI-3 Adapter Compaq Wide-Ultra SCSI Adapter
DLT 15 Cartridge Library Model 35/70-1 DLT 15 Cartridge Library Model 35/70-2 DLT 15 Cartridge Library Model 20/40-1 DLT 15 Cartridge Library Model 20/40-2	1 Library per SCSI channel		Integrated Dual Channel Wide-Ultra SCSI-3 Adapter Compaq Wide-Ultra SCSI-3 Adapter

SUPPORTED TAPE DRIVE OPTIONS

Tape Drive	Operating System	Key
Internal 20/40-GB DAT DDS-4 Drive	Novell NetWare Microsoft Windows NT	AS, SE AS, NT, SE
Internal 4/8-GB DAT Drive	Novell NetWare SCO UNIX Microsoft Windows NT	AS, JS, SE Native (Tar & CPIO) AS, NT, SE
Internal 4/8-GB SLR Drive	Novell NetWare SCO UNIX Microsoft Windows NT	AS, SE Native (Tar & CPIO) AS, NT, SE
Internal 12/24-GB DAT Drive	Novell NetWare SCO UNIX Microsoft Windows NT	AS, JS, SE Native (Tar & CPIO) AS, NT, SE
AIT 50-GB Drive	Novell NetWare SCO UNIX Microsoft Windows NT	AS, SE Native (Tar & CPIO) AS, NT, SE

QUICKSPECS

Compaq ProLiant 1600
Pentium II Models

Storage

SUPPORTED TAPE DRIVE OPTIONS *(continued)*

Tape Drive	Operating System	Key
AIT 35-GB Drive	Novell NetWare SCO UNIX Microsoft Windows NT	AS, SE Native (Tar & CPIO) AS, NT, SE
12/24-GB DAT DDS-3 8 Cassette Autoloader	Novell NetWare Microsoft Windows NT	AS, SE AS, NT, SE
20/40-GB DAT DDS-4 8 Cassette Autoloader	Novell NetWare Microsoft Windows NT	AS, JS, SE AS, NT, SE
35/70-GB DLT Drive	Novell NetWare SCO UNIX OS/2 Warp and LAN Server Microsoft Windows NT	AS, JS, LG, SE AO, UX ST AS, NT, SE, LG
20/40-GB DLT Drive	Novell NetWare SCO UNIX OS/2 Warp and LAN Server Microsoft Windows NT	AS, JS, LG, SE AO, UX NV AS, NT, SE
DLT Tape Array II Model 35/70	Novell NetWare SCO UNIX Microsoft Windows NT	LG UX LG
DLT 15 Cartridge Library Model 35/70-1	Novell NetWare SCO UNIX Microsoft Windows NT	AS, JS, SE AO, UX AS, NT, SE
DLT 15 Cartridge Library Model 35/70-2	Novell NetWare SCO UNIX Microsoft Windows NT	AS, JS, SE AO, UX AS, NT, SE
DLT 15 Cartridge Library Model 20/40-1	Novell NetWare SCO UNIX Microsoft Windows NT	AS, JS, SE AO, UX AS, NT, SE
DLT 15 Cartridge Library Model 20/40-2	Novell NetWare SCO UNIX Microsoft Windows NT	AS, JS, SE AO, UX AS, NT, SE
TL891 DLT Library (1 - 2 Drive)	Novell NetWare Microsoft Windows NT 4.0	AS, SE AS, NT, SE, LG
TL881 DLT Library (1 - 2 Drive)	Novell NetWare Microsoft Windows NT 4.0	AS, SE AS, NT, SE, LG

Keys to Chart

AS	Computer Associates ARCserve	VN	Banyan VINES support for Compaq tape drives included in operating system
JS	Computer Associates JETserve	UX	Device drivers for Compaq tape drives available from SCO in the SCO Compaq Supplement
AO	Computer Associates ARCserve Open	NT	Microsoft Windows NT support for Compaq tape drives included in operating system
LG	Legato Networker Software from Legato	NV	Novastor Novaback for OS/2
ST	Sytos Plus software		
SE	Veritas Software Backup Exec		

QUICKSPECS

Compaq ProLiant 1600
Pentium II Models

Technical Specifications

System Unit - Tower

Dimensions	18.63 x 10.63 x 22.67 in/47.32 x 27 x 57.58 cm	
Weight	63 lbs/28.35 kg (without hard drives)	
Input Requirements		
Range Line Voltage	90 to 132 VAC/180 to 265 VAC	
Nominal Line Voltage	100 to 120 VAC/220 to 240 VAC	
Line Frequency	50 to 60 Hz	
BTU Rating	1,706 BTU	
Steady-State Input Power	500 W	
Output	325 W	
Temperature Range		
Operating	50° to 93°F/10° to 35°C	
DDS-3 AutoLoader	-22° to 140°F/-30° to 60°C	
Relative Humidity (non-condensing)		
Operating	20% to 80%	
Non-operating	5% to 90%	
Maximum Wet Bulb Temperature	101.7°F/38.7°C	
Acoustic Noise	NPEL (BELS)	AVERAGE SPL (dBA)
Idle (Fixed Disk Drives Spinning)	6	43
Operating (Random Seeks to Fixed Disks)	6.1	44

System Unit - Rack

Dimensions	8.67 x 19 x 22.75 in/22 x 48.34 x 55.9 cm	
Weight	63 lbs/28.35 kg (without hard drives)	
Input Requirements		
Range Line Voltage	90 to 132 VAC/180 to 265 VAC	
Nominal Line Voltage	100 to 120 VAC/220 to 240 VAC	
Line Frequency	50 to 60 Hz	
BTU Rating	1,706 BTU	
Steady-State Input Power	500W	
Output	325W	
Temperature Range		
Operating	50° to 93°F/10° to 35°C	
DDS-3 AutoLoader	-22° to 140°F/-30° to 60°C	
Relative Humidity (non-condensing)		
Operating	20% to 80%	
Non-operating	5% to 90%	
Acoustic Noise	NPEL (BELS)	AVERAGE SPL(dBA)
Idle (Fixed Disk Drives Spinning)	6	43
Operating (Random Seeks to Fixed Disks)	6.1	44

QUICK SPECS

Compaq ProLiant 1600
Pentium II Models

Technical Specifications

1.44-MB Diskette Drive

Diskette Size	3.5 in
LED Indicators (front panel)	Green
Read/Write Capacity per Diskette (high/low density)	1.44 MB/720 KB
Drive Supported	One
Drive Height	One-third
Drive Rotation	300 rpm
Transfer Rate (high/low)	500/250 Kb/s
Bytes/Sector	512
Sectors/Track (high/low)	18/9
Tracks/Side (high/low)	80/80
Access Times	
Track-to-Track (high/low)	3/6 ms
Average (high/low)	169/94 ms
Settling Time	15 ms
Latency Average	100 ms
Cylinders (high/low)	80/80
Read/Write Heads	Two

Hot Plug Wide Ultra3 SCSI Hard Drives

18.2 GB 10K	Capacity	18209.3 MB	Seek Time (typical reads, including settling)	
	Height	1 in/25.4 mm	Single Track	0.8 ms
	Width	3.5 in/88.9 mm	Average	5.2 ms
	Interface	Wide Ultra3 SCSI	Full-Stroke	12 ms
	Transfer Rate		Rotational Speed	10,000 rpm
	Synchronous (Maximum)	160 MB/s	Physical Configuration	
			Bytes/Sector	512
			Logical Blocks	35,565,080
			Operating Temperature 50° to 95°F/10° to 35°C	
	9.1 GB 10K	Capacity	9100.0 MB	Seek Time (typical reads, including settling)
Height		1 in/25.4 mm	Single Track	0.8 ms
Width		3.5 in/88.9 mm	Average	5.0 ms
Interface		Wide Ultra3 SCSI	Full-Stroke	12 ms
Transfer Rate			Rotational Speed	10,000 rpm
Synchronous (Maximum)		160 MB/s	Physical Configuration	
			Bytes/Sector	512
			Logical Blocks	17,773,524
			Operating Temperature 50° to 95°F/10° to 35°C	

QUICK SPECS

Compaq ProLiant 1600
Pentium II Models

Technical Specifications

Non-Hot Plug
Wide Ultra3 SCSI
Hard Drives

36.4 GB 10K	Capacity	36419.5 MB	Seek Time (typical reads, including settling)	
	Height	1.6 in/40.6 mm	Single Track	0.8 ms
	Width	3.5 in/88.9 mm	Average	5.7 ms
	Interface	Wide Ultra3 SCSI	Full-Stroke	13 ms
	Transfer Rate		Rotational Speed	10,000 rpm
	Synchronous (Maximum)	160 MB/s	Physical Configuration	
			Bytes/Sector	512
			Logical Blocks	71,132,000
			Operating Temperature 50° to 95°F/10° to 35°C	
	<hr/>			
18.2 GB 10K	Capacity	18209.3 MB	Seek Time (typical reads, including settling)	
	Height	1 in/25.4 mm	Single Track	0.8 ms
	Width	3.5 in/88.9 mm	Average	5.5 ms
	Interface	Wide Ultra3 SCSI	Full-Stroke	12 ms
	Transfer Rate		Rotational Speed	10,000 rpm
	Synchronous (Maximum)	160 MB/s	Physical Configuration	
			Bytes/Sector	512
			Logical Blocks	35,565,080
			Operating Temperature 50° to 95°F/10° to 35°C	
	<hr/>			
9.1 GB 10K	Capacity	9100.0 MB	Seek Time (typical reads, including settling)	
	Height	1 in/25.4 mm	Single Track	0.8 ms
	Width	3.5 in/88.9 mm	Average	5.0 ms
	Interface	Wide Ultra3 SCSI	Full-Stroke	12 ms
	Transfer Rate		Rotational Speed	10,000 rpm
	Synchronous (Maximum)	160 MB/s	Physical Configuration	
			Bytes/Sector	512
			Logical Blocks	17,773,524
			Operating Temperature 50° to 95°F/10° to 35°C	

QUICK SPECS

Compaq ProLiant 1600
Pentium II Models

Technical Specifications

Hot Plug
Wide Ultra2 SCSI
Hard Drives

18.2 GB 10K	Capacity	18209.3 MB	Seek Time (typical reads, including settling)	
	Height	1 in/25.4 mm	Single Track	0.8 ms
	Width	3.5 in/88.9 mm	Average	5.7 ms
	Interface	Wide Ultra2 SCSI	Full-Stroke	12.2 ms
	Transfer Rate		Rotational Speed	7200 rpm
	Synchronous (Maximum)	80 MB/s	Physical Configuration	
			Bytes/Sector	512
			Logical Blocks	35,565,080
			Operating Temperature 50° to 95°F/10° to 35°C	
	18.2 GB	Capacity	18209.3 MB	Seek Time (typical reads, including settling)
Height		1 in/25.4 mm	Single Track	0.8 ms
Width		3.5 in/88.9 mm	Average	6.9 ms
Interface		Wide Ultra2 SCSI	Full-Stroke	15.0 ms
Transfer Rate			Rotational Speed	7200 rpm
Synchronous (Maximum)		80 MB/s	Physical Configuration	
			Bytes/Sector	512
			Logical Blocks	35,566,080
			Operating Temperature 50° to 95°F/10° to 35°C	
9.1 GB 10K		Capacity	9100.0 MB	Seek Time (typical reads, including settling)
	Height	1 in/25.4 mm	Single Track	0.8 ms
	Width	3.5 in/88.9 mm	Average	5.4 ms
	Interface	Wide Ultra2 SCSI	Full-Stroke	12.2 ms
	Transfer Rate		Rotational Speed	10,000 rpm
	Synchronous (Maximum)	80 MB/s	Physical Configuration	
			Bytes/Sector	512
			Logical Blocks	17,773,524
			Operating Temperature 50° to 95°F/10° to 35°C	
	9.1 GB	Capacity	9100.0 MB	Seek Time (typical reads, including settling)
Height		1 in/25.4 mm	Single Track	0.8 ms
Width		3.5 in/88.9 mm	Average	7.9 ms
Interface		Wide Ultra2 SCSI	Full-Stroke	17.0 ms
Transfer Rate			Rotational Speed	7200 rpm
Synchronous (Maximum)		80 MB/s	Physical Configuration	
			Bytes/Sector	512
			Logical Blocks	17,773,524
			Operating Temperature 50° to 95°F/10° to 35°C	

QUICK SPECS

Compaq ProLiant 1600
Pentium II Models

Technical Specifications

Non-Hot Plug
Wide Ultra2 SCSI
Hard Drives

18.2 GB	Capacity	18209.3 MB	Seek Time (typical reads, including settling)	
	Height	1 in/25.4 mm	Single Track	0.8 ms
	Width	3.5 in/88.9 mm	Average	6.9 ms
	Interface	Wide Ultra2 SCSI	Full-Stroke	15.0 ms
	Transfer Rate		Rotational Speed	7200 rpm
	Synchronous (Maximum)	80 MB/s	Physical Configuration	
			Bytes/Sector	512
			Logical Blocks	35,565,080
			Operating Temperature 50° to 95°F/10° to 35°C	

9.1 GB	Capacity	9100.0 MB	Seek Time (typical reads, including settling)	
	Height	1 in/25.4 mm	Single Track	1.9 ms
	Width	3.5 in/88.9 mm	Average	7.5 ms
	Interface	Wide Ultra2 SCSI	Full-Stroke	15.0 ms
	Transfer Rate		Rotational Speed	7200 rpm
	Synchronous (Maximum)	80 MB/s	Physical Configuration	
			Bytes/Sector	512
			Logical Blocks	17,773,524
			Operating Temperature 50° to 95°F/10° to 35°C	

Hot Plug
Wide-Ultra SCSI-3
Hard Drives

36.4 GB 10K	Capacity	36419.5 MB	Seek Time (typical reads, including settling)	
	Height	1.6 in/40.6 mm	Single Track	0.8 ms
	Width	3.5 in/88.9 mm	Average	5.7 ms
	Interface	Wide-Ultra SCSI-3	Full-Stroke	12.2 ms
	Transfer Rate		Rotational Speed	10,000 rpm
	Synchronous (Maximum)	40 MB/s	Physical Configuration	
			Bytes/Sector	512
			Logical Blocks	35,565,080
			Operating Temperature 50° to 95°F/10° to 35°C	

36.4 GB	Capacity	36419.5 MB	Seek Time (typical reads, including settling)	
	Height	1.6 in/40.6 mm	Single Track	0.8 ms
	Width	3.5 in/88.9 mm	Average	7.4 ms
	Interface	Wide-Ultra SCSI-3	Full-Stroke	17.0 ms
	Transfer Rate		Rotational Speed	10,000 rpm
	Synchronous (Maximum)	40 MB/s	Physical Configuration	
			Bytes/Sector	512
			Logical Blocks	71,132,000
			Operating Temperature 50° to 95°F/10° to 35°C	

QUICK SPECS

Compaq ProLiant 1600
Pentium II Models

Technical Specifications

Hot Plug
Wide-Ultra SCSI-3
Hard Drives
(continued)

18.2 GB 10K	Capacity	18209.8 MB	Seek Time (typical reads, including settling)	
	Height	1 in/25.4 mm	Single Track	0.8 ms
	Width	3.5 in/88.9 mm	Average	5.7 ms
	Interface	Wide-Ultra SCSI-3	Full-Stroke	12.2 ms
	Transfer Rate		Rotational Speed	10,000 rpm
	Synchronous (Maximum)	40 MB/s	Physical Configuration	
			Bytes/Sector	512
			Logical Blocks	35,565,080
			Operating Temperature 50° to 95°F/10° to 35°C	
	18.2 GB	Capacity	18209.8 MB	Seek Time (typical reads, including settling)
Height		1 in/25.4 mm	Single Track	0.8 ms
Width		3.5 in/88.9 mm	Average	6.9 ms
Interface		Wide-Ultra SCSI-3	Full-Stroke	16.0 ms
Transfer Rate			Rotational Speed	7200 rpm
Synchronous (Maximum)		40 MB/s	Physical Configuration	
			Bytes/Sector	512
			Logical Blocks	35,566,000
			Operating Temperature 50° to 95°F/10° to 35°C	
9.1 GB 10K		Capacity	9100.0 MB	Seek Time (typical reads, including settling)
	Height	1 in/25.4 mm	Single Track	0.8 ms
	Width	3.5 in/88.9 mm	Average	5.4 ms
	Interface	Wide-Ultra SCSI-3	Full-Stroke	12.2 ms
	Transfer Rate		Rotational Speed	10,000 rpm
	Synchronous (Maximum)	40 MB/s	Physical Configuration	
			Bytes/Sector	512
			Logical Blocks	17,773,500
			Operating Temperature 50° to 95°F/10° to 35°C	
	9.1 GB	Capacity	9100.0 MB	Seek Time (typical reads, including settling)
Height		1 in/25.4 mm	Single Track	0.8 ms
Width		3.5 in/88.9 mm	Average	7.9 ms
Interface		Wide-Ultra SCSI-3	Full-Stroke	17.0 ms
Transfer Rate			Rotational Speed	7200 rpm
Synchronous (Maximum)		40 MB/s	Physical Configuration	
			Bytes/Sector	512
			Logical Blocks	17,773,500
			Operating Temperature 50° to 95°F/10° to 35°C	

QUICKSPECS

Compaq ProLiant 1600
Pentium II Models

Technical Specifications

24X Max IDE CD-ROM Drive

Disk	
Applicable Disk	CD-ROM (Mode 1 and 2) CD-DA, CD-XA (Mode 2, Form 1 and 2) Photo CD (Single and Multi-Session) Mixed Mode (Audio and Data combined)
Capacity	540 MB (Mode 1, 12 cm) 650 MB (Mode 2, 12 cm)
Block Size	
Mode 1	2,048,
Mode 2	2,340, 2,336, 1,024 bytes
CD-DA	2,352 bytes
CD-XA	2,328 bytes
Access Times (typical)	
Random	< 85 ms
Full-Stroke	< 150 ms
Diameter	4.7 in, 3.15 in/12/cm, 8 cm
Thickness	0.05 in/1.2 mm
Track Pitch	1.6 μ m
Audio Output Level	
Line-Out	0.7 VRMS at 47 kOhms
Headphone	0.6 VRMS at 32 Ohms (maximum volume)
Data Transfer Rate	
Sustained	150 KB/s (sustained 1X)
Burst	1500 to 3600 KB/s (10X to 24X)
Cache Buffer	128 KB
Start-up Time (typical)	< 7 seconds
Stop Time	< 4 seconds; < 30 seconds (multi-session)
Laser Parameters	
Type	Semiconductor Laser GaAlAs
Wave Length	780 \pm 25 nm
Divergence Angle	53.5 $^{\circ}$ \pm 1.5 $^{\circ}$
Output Power	0.14 mW
Operating Conditions	
Temperature	41 $^{\circ}$ to 118 $^{\circ}$ F/5 $^{\circ}$ to 45 $^{\circ}$ C
Humidity	10% to 80%
Dimensions	
(HxWxD, maximum)	1.88 x 5.85 x 8.11 in/42.9 x 15 x 208 cm
Weight	2.09 lbs/0.95 kg

QUICK SPECS

Compaq ProLiant 1600
Pentium II Models

Technical Specifications

Integrated Dual Channel Wide-Ultra SCSI-3 Adapter

Drives Supported	Up to seven SCSI devices per channel
Data Transfer Method	32-bit PCI bus-master
SCSI Channel Transfer Rate	40 MB/s per channel
Maximum Transfer Rate per PCI Bus (peak)	133 MB/s
SCSI Termination	Active Termination
SCSI Connectors	1 external, 2 internal (68-pin)

Compaq 10/100 PCI UTP Controller (embedded)

Network Interface	10Base-T/100Base-TX
Compatibility	IEEE 802.3/802.3u compliant
Data Transfer Method	32-bit bus-master PCI
Network Transfer Rate	
10Base-T (Half-Duplex)	10 Mb/s
10Base-T (Full-Duplex)	20 Mb/s
100Base-TX (Half-Duplex)	100 Mb/s
100Base-TX (Full-Duplex)	200 Mb/s
Connector	RJ-45
Cable Support	
10Base-T	Categories 3, 4 or 5 UTP (2 or 4 pair); up to 328 feet (100 meters)
100Base-TX	Category 5 UTP (2 pair); up to 328 feet (100 meters)

Smart Array 4200 Controller

Protocol	Wide Ultra2 SCSI
SCSI Electrical Interface	Low Voltage Differential
Drives Supported (maximum)	56 drives
Data Transfer Method	64-bit PCI bus-master
Maximum Transfer Rate on PCI Bus (peak)	
Simultaneous Drive Transfer Channels	Four
Total Channel Transfer Rate	320 MB/s
Software Upgradable Firmware	Yes
Cache	64 MB battery-backed and removable
Logical Drives Supported	32
Reliability Features	
Cache Battery Backup	Yes
Online Capacity Expansion	Yes
Logical Drive Capacity Extension	Yes
Online RAID Level Migration	Yes
Online Stripe Size Migration	Yes
Automatic Data Recovery	Yes
Distributed Data Guarding (RAID 5)	Yes
Data Guarding (RAID 4)	Yes
Drive Mirroring (RAID 1)	Yes
Drive Striping (RAID 0, 0 + 1)	Yes

QUICK SPECS

Compaq ProLiant 1600
Pentium II Models

Technical Specifications

Smart Array 3200 Controller

Drives Supported	Up to 15 drives per channel, 30 drives maximum
Data Transfer Method	32-bit PCI bus-master
Maximum Transfer Rate per PCI Bus (peak)	133 MB/s
Simultaneous Drive Transfer Channels	Two
Total Transfer Rate	160 MB/s (80 MB/s per channel)
Software Upgradable Firmware	Yes
Cache	64-MB Array Accelerator
Reliability Features	
Distributed Data Guarding (RAID 5)	Yes
Data Guarding (RAID 4)	Yes
Drive Mirroring (RAID 1)	Yes
Drive Striping (RAID 0)	Yes
Controller Duplexing	Yes
Automatic Data Recovery	Yes

Smart Array 431 Controller

Protocol	Wide Ultra3 SCSI
SCSI Electrical Interface	Low Voltage Differential (LVD)
Drives Supported	Up to 14 Wide Ultra3 or Wide Ultra2 SCSI hard drives
SCSI Port Connectors	Single External/Internal SCSI port
Data Transfer Method	64-bit PCI bus-master
Maximum Transfer Rate per PCI Bus (peak)	266 MB/s
Simultaneous Drive Transfer Channels	One
Channel Transfer Rate	160 MB/s per channel
Software Upgradable Firmware	Yes
Read-Only Cache	8-MB ECC protected, read-only cache
Logical Drives Supported	32
Reliability Features	
Distributed Data Guarding (RAID 5)	Yes
Drive Mirroring (RAID 1)	Yes
Drive Striping (RAID 0, 0+1)	Yes
Automatic Data Recovery	Yes
Disk Drive Protocol Support	Wide Ultra3, 2, Wide and Wide-Ultra, Ultra2, Wide Ultra SCSI-3
Enclosure Support	New StorageWorks Enclosure 4200 Family (Models 4214R and 4214T)

QUICK SPECS

Compaq ProLiant 1600
Pentium II Models

Technical Specifications

Smart Array 221 Controller

Drives Supported	Up to 14 drives (The ProLiant-1600 will support up to six internal hard drives or 12 external hard drives using the ProLiant Storage System Model UE storage enclosure)
Data Transfer Method	32-bit PCI bus-master
Maximum Transfer Rate per PCI Bus (peak)	133 MB/s
Simultaneous Drive Transfer Channels	One
Total Transfer Rate	80 MB/s per channel
Software Upgradable Firmware	Yes
Cache	6-MB Of ECC protected read cache
Reliability Features	
Distributed Data Guarding (RAID 5)	Yes
Drive Mirroring (RAID 1)	Yes
Drive Striping (RAID 0)	Yes
Automatic Data Recovery	Yes

64-Bit / 66-MHz Single Channel Wide Ultra3 SCSI Adapter

Drives Supported	Up to 14 SCSI devices
Storage Capacity	254.8 GB
Data Transfer Method	64-bit / 66-MHz PCI bus-master
Maximum SCSI Channel Transfer Rate	160 MB/s per channel
Maximum Transfer Rate per PCI Bus (peak)	532 MB/s per channel
SCSI Protocols	Wide Ultra3 SCSI Wide Ultra2 SCSI Wide-Ultra SCSI-3 Fast-Wide SCSI-2 Fast SCSI-2
Electrical Protocol	Low Voltage Differential (LVD)
SCSI Termination	Active Termination
External SCSI Connectors	One 68-Pin Wide Ultra SCSI-3 connector
Internal SCSI Connectors	Two 68-Pin Wide Ultra SCSI-3 connectors (one LVD and one SE) One 50-Pin Narrow Ultra connector

64-Bit/66MHz Dual Channel Wide Ultra3 SCSI Adapter

Drives Supported	Up to 28 SCSI devices (14 per channel)
Storage Capacity	1.019 TB
Data Transfer Method	64-bit/66-MHz PCI bus-master
Maximum SCSI Channel Transfer Rate	160 MB/s per channel
Maximum Transfer Rate per PCI Bus (peak)	532 MB/s per channel
SCSI Protocols	Wide Ultra3 SCSI Wide Ultra2 SCSI Wide-Ultra SCSI-3 Fast-Wide SCSI-2 Fast SCSI-2
Electrical Protocol	Low Voltage Differential (LVD)
SCSI Termination	Active Termination
External SCSI Connectors	Two 68-Pin VHDCI connectors
Internal SCSI Connectors	Two 68-Pin Wide Ultra SCSI-3 connectors One 50-Pin Narrow Ultra connector

QUICK SPECS

Compaq ProLiant 1600
Pentium II Models

Technical Specifications

64-Bit Dual Channel Wide-Ultra2 SCSI Adapter

Drives Supported	Up to 28 SCSI devices (14 per channel)
Storage Capacity	509.6 GB
Data Transfer Method	64-bit PCI bus-master
Maximum SCSI Channel Transfer Rate	80 MB/s per channel
Maximum Transfer Rate per PCI Bus (peak)	133 MB/s per channel
SCSI Protocols	Wide Ultra2 SCSI Wide-Ultra SCSI-3 Fast-Wide SCSI-2 Fast SCSI-2
Electrical Protocol	Low Voltage Differential (LVD)
SCSI Termination	Active Termination
External SCSI Connectors	Two 80-Pin VHDCI connectors
Internal SCSI Connectors	Two 68-Pin Wide Ultra SCSI-3 connectors

Compaq Rack 9142 (42U) (optional)

Dimensions	Total Cabinet	Shipping	Color
Height	78.7 in/2,000 mm	83.38 in/2,168.65 mm	
Depth	35.8 in/909 mm	48 in/1,219.2 mm	Opal
Width	23.7 in/603 mm	32 in/812.8 mm	
Weight	253 lbs/114.84 kg	325 lbs/147.52 kg	

Compaq Rack 9136 (36U) (optional)

Dimensions	Total Cabinet	Shipping	Color
Height	68.6 in/1,742 mm	75.25 in/1,911.35 mm	
Depth	35.8 in/909 mm	48 in/1,219.2 mm	Opal
Width	23.7 in/603 mm	32 in/812.8 mm	
Weight	165 lbs/75 kg	234 lbs/106 kg	

Compaq Rack 9122 (22U) (optional)

Dimensions	Total Cabinet	Shipping	Color
Height	43 in/1,092 mm	52.25 in/1,327.15 mm	
Depth	35.8 in/909 mm	48 in/1,219.2 mm	Opal
Width	24 in/610 mm	32 in/812.8 mm	
Weight	176 lbs/79.89 kg	225 lbs/102.13 kg	

Compaq Rack 7142 (42U) (optional)

Dimensions	Total Cabinet	Usable Area	Shipping
Height	85 in/215.9 cm	73.5 in/186.69 cm	90.75 in/230.5 cm
Depth	33.25 in/84.45 cm	29.21 in/74.19 cm	48 in/121.92 cm
Width	23.25 in/59.05 cm	19 in/48.26 cm	32 in/81.28 cm
Weight	253 lbs/114.84 kg	—	325 lbs/147.52 kg

Compaq Rack 4136 (36U) (optional)

Dimensions	Total Cabinet	Usable Area	Shipping
Height	67.97 in/172.5 cm	63.05 in/160.02 cm	85.25 in/203.84 cm
Depth	34.49 in/87.55	31.01 in/78.7 cm	33.5 in/85.09 cm
Width	23.56 in/59.8 cm	17.77 in/45.1 cm	24 in/60.96 cm
Weight	225 lbs/102.13 kg	—	234 lbs/106 kg

QUICK SPECS

Compaq ProLiant 1600
Pentium II Models

Technical Specifications

Compaq Rack 7122 (22U) (optional)

Dimensions	Total Cabinet	Usable Area	Shipping
Height	50.29 in/127.73 cm	38.5 in/97.79 cm	56.63 in/143.84 cm
Depth	33.5 in/85.09 cm	29 in/73.66 cm	48 in/121.92 cm
Width	24 in/60.96 cm	17.6 in/44.7 cm	32 in/81.28 cm
Weight	176 lbs/79.89 kg	—	225 lbs/102.13 kg

OS Driver Support

Operating Systems	Current Drivers	Driver Location (Punch-out diskettes only.)
Microsoft Windows NT Server 3.51	NTSSD 1.38a	SmartStart CD and www.compaq.com
Microsoft Windows NT Server 4.0	NTSSD 2.17a	SmartStart CD and www.compaq.com
Microsoft Windows NT Server, Enterprise Edition 4.0	NTSSD 2.17a	SmartStart CD and www.compaq.com
Microsoft Windows NT Server 4.0, Terminal Server Edition	NTSSD 2.17a	SmartStart CD and www.compaq.com
Microsoft Windows 2000 Server	Support Software Bundle for Windows 2000 5.02a	
Novell NetWare 3.2	NSSD 5.50a	SmartStart CD and www.compaq.com
Novell NetWare 4.2	NSSD 5.50a	SmartStart CD and www.compaq.com
Novell NetWare 4.2 SMP	NSSD 5.50a	SmartStart CD and www.compaq.com
Novell NetWare 5	NSSD 5.50a	SmartStart CD and www.compaq.com
Novell NetWare for Small Business 4.2	NSSD 5.50a	SmartStart CD and www.compaq.com
SCO OpenServer 5.0.4, 5.0.5	EFS 5.34	SmartStart CD and www.compaq.com
SCO UnixWare 2.1.2, 2.1.3	EFS 2.34	SmartStart CD and www.compaq.com
SCO UnixWare 7.0.1	EFS 7.34	SmartStart CD and www.compaq.com
SCO UnixWare 7.1	EFS 7.34	SmartStart CD and www.compaq.com
IBM OS/2 Warp Server 4 (Entry)	OS2SSD 4.00A NICSSD 1.55A	SmartStart CD and www.compaq.com
IBM OS/2 Warp Server 4 (Advanced)	OS2SSD 4.00A NICSSD 1.55A	SmartStart CD and www.compaq.com
IBM OS/2 Warp Server 4 (Advanced) SMP	OS2SSD 4.00A NICSSD 1.55A	SmartStart CD and www.compaq.com
Sun Solaris 8 Intel Platform Edition	Solaris Driver Update 1.10	www.compaq.com
Sun Solaris 7 Intel Platform Edition	Solaris Driver Update 1.10	www.compaq.com
Sun Solaris 2.6 Intel Platform Edition	Solaris Driver Update 1.10	www.compaq.com

(Note: Not all storage controllers are supported under Solaris 2.6, 7, and 8. Please refer to the Supported Devices list on the Solaris Driver Update download page.

Please see customer advisories for addition information on Solaris 8 installation.)