

### Overview

Simplify and make your data center change-ready. The HP 4Gb Virtual Connect Fibre Channel Module for the c-Class BladeSystem is the simplest, most flexible connection to your SAN fabrics. The HP 4Gb VC-FC Module is a new class of blade interconnect that simplifies server connections by cleanly separating the server enclosure from SAN, simplifies SAN fabrics by reducing cables without adding switches to the domain, and allows you to change servers in just minutes, not days. The HP 4Gb Virtual Connect Fibre Channel Module for c-Class BladeSystem is an innovative, new class of integrated interconnects from HP.

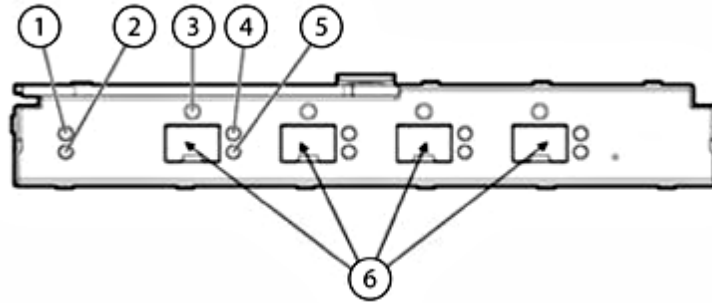


Figure 1 HP 4Gb Virtual Connect Fibre Channel Module Front Bezel

- |  |                                  |
|--|----------------------------------|
| 1. UID Indicator                       | 4. Link Status Indicator         |
| 2. Module Health Indicator             | 5. Port Activity Indicator       |
| 3. Port Configuration Status Indicator | 6. Ports 1-4 (4Gb Fibre Channel) |

### What's New

- Support for HP BladeSystem c3000 Enclosure

### Models

HP 4Gb Virtual Connect Fibre Channel Module for c-Class BladeSystem

409513-B21

### At A Glance

#### Performance

- (4) 4Gb Auto-negotiating Fibre Channel uplinks connected to external SAN switches
- (16) 4Gb Auto-negotiating Fibre Channel downlink ports provide maximum HBA performance
- HBA Aggregation on uplinks ports using ANSI T11 standards-based N\_Port ID Virtualization (NPIV) technology
- Extremely low latency throughput provides switch-like performance.

#### Management

- Managed with the Virtual Connect Ethernet Module
- Does not add to SAN switch domains or require traditional SAN management
- Appears as a pass-thru device to the SAN Manager

#### Virtual server profiles

- Ability to pre-configure server I/O connections
- Ability to move, add, or change servers on the fly
- Once defined, SAN Administrators don't have to be involved in server changes

#### Options

### Overview

- HP 1/10Gb Virtual Connect Ethernet Module for c-Class BladeSystem
- HP 1/10Gb-F Virtual Connect Ethernet Module for c-Class BladeSystem
- (4) Fibre Channel SFP's included with the Virtual Connect Fibre Channel Module

### Supported Products

#### Compatibility

##### HP ProLiant Servers

All HP ProLiant BladeSystem c-Class Server Blades with latest ROM updates  
Supports all Server NIC's including LOM and Mezzanine card options

Virtual Connect requires the following minimum firmware levels:

- BL460c BIOS - System ROM version 2007.05.01 or later
- BL480c BIOS-System ROM version 2007.05.01 or later
- BL465c BIOS - System ROM version 2007.04.05 or later
- BL685c BIOS - System ROM version 2007.04.05 or later

Server Mezzanine Cards:

- QLogic QMH2462 4Gb FC HBA QLogic Firmware loaded when driver is loaded. Use QLogic BIOS version 1.26 (in Multiboot 1.63) or later
- HP Emulex LPe 1105-HP 4Gb FC BIOS version 6.00a2 (3.00a4) or later

For the latest additional information on required firmware versions and to download firmware upgrades, see the HP website <http://www.hp.com/go/bladessystemupdates>.

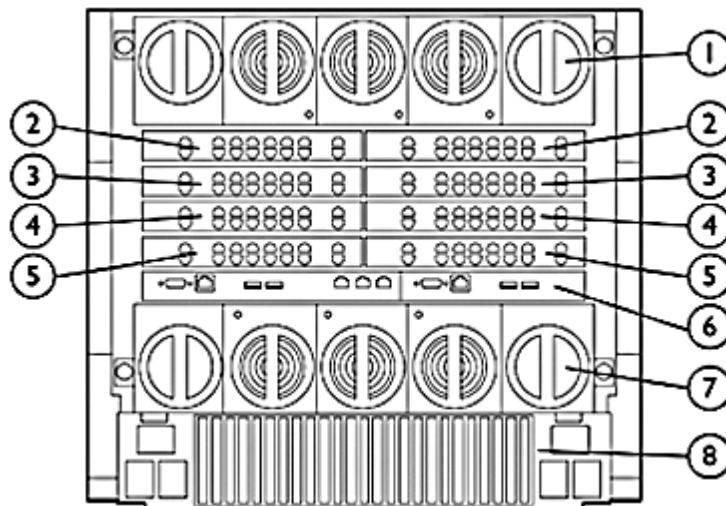
##### ProLiant BL c-Class Server Blade Enclosures

The HP BladeSystem c3000 and c7000 Enclosures have been designed up front with the Virtual Connect Architecture in mind incorporating the HP Onboard Administrator, ILO Management, and HP Management tools inside the Virtual Connect framework.

Virtual Connect requires the following minimum firmware levels:

- Single and redundant Onboard Administrators - (version 2.01 or later)

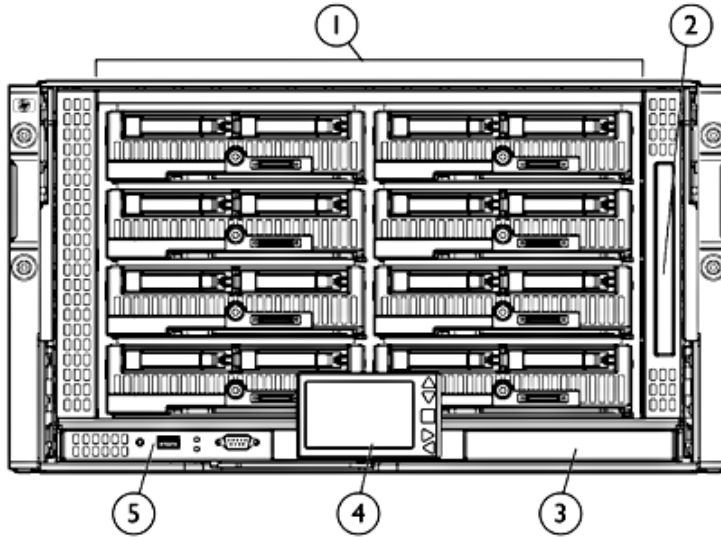
### Supported Configurations



HP BladeSystem c7000 Enclosure - Rear View

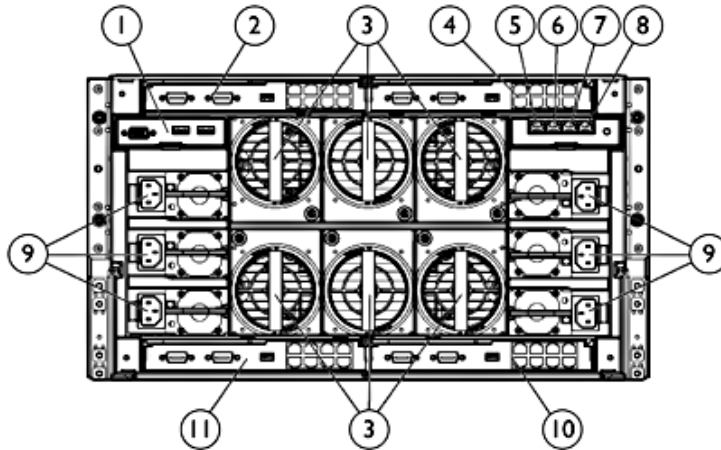
- |                            |                                 |
|----------------------------|---------------------------------|
| 1. Upper Fan System        | 5. Interconnect Bays 7 / 8      |
| 2. Interconnect Bays 1 / 2 | 6. On Board Administrator       |
| 3. Interconnect Bays 3 / 4 | 7. Lower Fan System             |
| 4. Interconnect Bays 5 / 6 | 8. Rear Redundant Power Complex |

### Supported Products



HP BladeSystem c3000 Enclosure - Front View

- 1. Device Bays 1 thru 8
- 2. Enclosure DVD Drive
- 3. Standby Onboard Administrator (reserved for Future)
- 4. Insight Display
- 5. Active Onboard Administrator



HP BladeSystem c3000 Enclosure - Rear View

- 1. Local KVM interface (reserved for future)
- 2. Interconnect Bay 1
- 3. Active Cool Fans
- 4. Interconnect Bay 2
- 5. Enclosure Up-link and Service Port
- 6. Enclosure Down-link
- 7. iLO/Onboard Administrator Port
- 8. iLO/Onboard Administrator Port 2 (reserved for future)
- 9. Power Supplies
- 10. Interconnect Bay 4
- 11. Interconnect Bay 3

# QuickSpecs

## HP 4Gb Virtual Connect Fibre Channel Module for c-Class BladeSystem

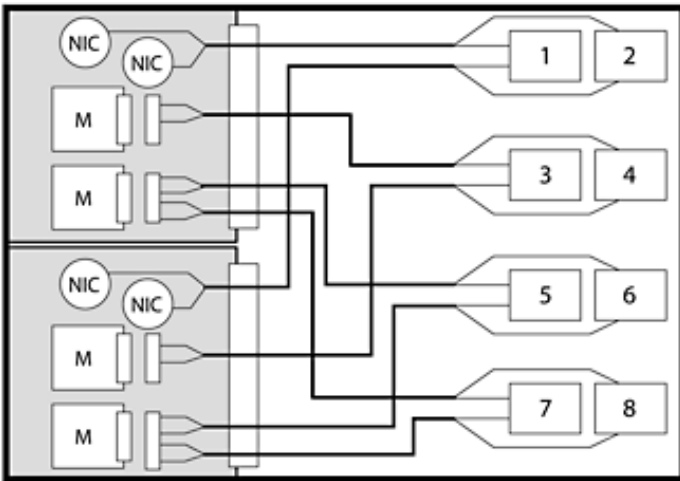
### Supported Products

#### Mezzanines

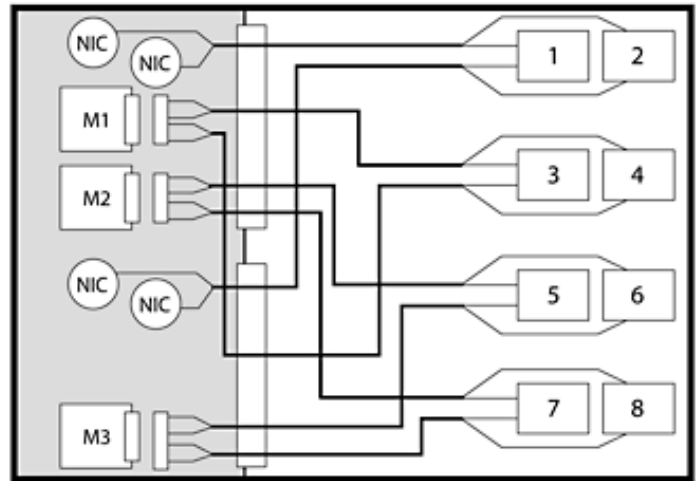
##### Port Mapping

Port mapping differs slightly between full height and half height server blades due to the support for additional Mezzanine cards on the full height version.

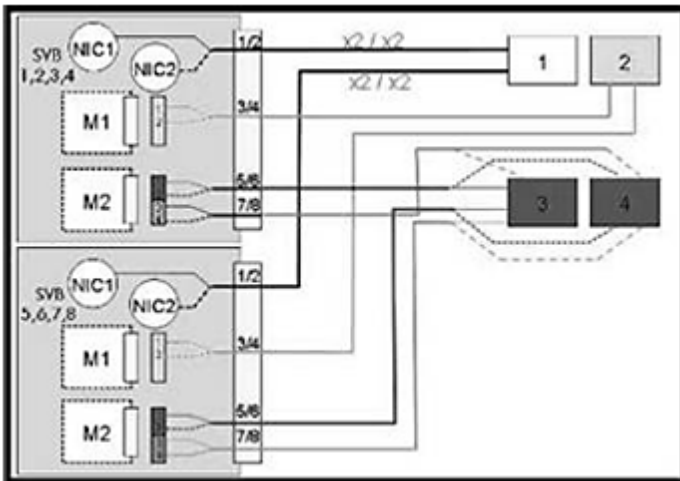
HP has simplified the processes of mapping Mezzanine ports to switch ports by providing intelligent management tools via the Onboard Administrator and HP Insight Manager Software. The Onboard Administrator Guide, Enclosure Setup and Installation Guide provides detailed information on port mapping.



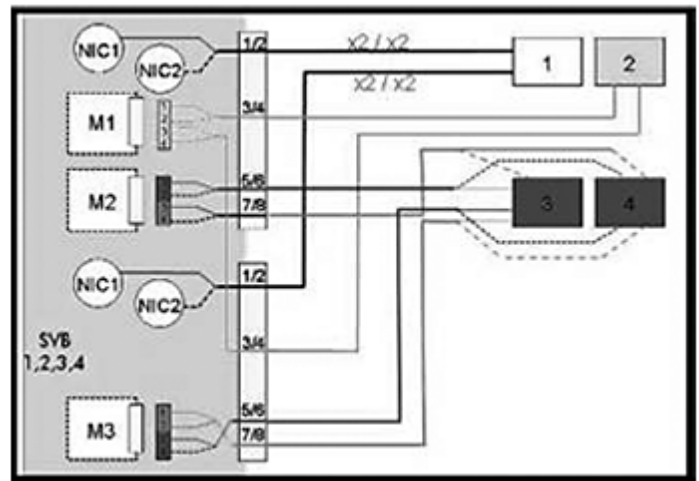
c7000 Half Height Server Blade



c7000 Full Height Server Blade



c3000 Half Height Server Blade



c3000 Full Height Server Blade

The following are supported configurations for the HP 4Gb Virtual Connect Fibre Channel Module. Please note that other interconnect options can be installed in the enclosure, but they do not inherit the benefits of Virtual Connect. Switches and Pass-Thru modules will operate per their default configurations. Any moves, adds, or changes to servers which are connected to non-Virtual Connect modules will require reconfiguration on the LAN and/or SAN. The Virtual Connect Manager will only manage Virtual Connect Modules. The HP 4Gb VC-FC Module requires a Virtual Connect Ethernet Module installed in the system for management and administration. Version 1.1 or higher firmware is required on the Virtual Connect Ethernet Module in order to configure, manage, and administer Fibre Channel connections.

### Supported Products

#### HP BladeSystem c7000 Enclosure

**NOTE:** The following tables show a number of typical, supported configurations for an HP BladeSystem c7000 Enclosure.

[Bay 1] VC-Enet  
[Bay 3] Other/empty  
[Bay 5] Other/empty  
[Bay 7] Other/empty

[Bay 2] Empty  
[Bay 4] Other/empty  
[Bay 6] Other/empty  
[Bay 8] Other/empty

[Bay 1] VC-Enet  
[Bay 3] Other/empty  
[Bay 5] Other/empty  
[Bay 7] Other/empty

[Bay 2] VC-Enet  
[Bay 4] Other/empty  
[Bay 6] Other/empty  
[Bay 8] Other/empty

[Bay 1] VC-Enet  
[Bay 3] VC-Enet  
[Bay 5] Other/empty  
[Bay 7] Other/empty

[Bay 2] VC-Enet  
[Bay 4] VC-Enet  
[Bay 6] Other/empty  
[Bay 8] Other/empty

[Bay 1] VC-Enet  
[Bay 3] Other/empty  
[Bay 5] VC-Enet  
[Bay 7] Empty

[Bay 2] VC-Enet  
[Bay 4] Other/empty  
[Bay 6] VC-Enet  
[Bay 8] Empty

[Bay 1] VC-Enet  
[Bay 3] VC-Enet  
[Bay 5] VC-Enet  
[Bay 7] Empty

[Bay 2] VC-Enet  
[Bay 4] VC-Enet  
[Bay 6] VC-Enet  
[Bay 8] Empty

[Bay 1] VC-Enet  
[Bay 3] VC-FC  
[Bay 5] Other/empty  
[Bay 7] Other/empty

[Bay 2] Empty  
[Bay 4] Empty  
[Bay 6] Other/empty  
[Bay 8] Other/empty

[Bay 1] VC-Enet  
[Bay 3] VC-FC  
[Bay 5] Other/empty  
[Bay 7] Other/empty

[Bay 2] VC-Enet  
[Bay 4] VC-FC  
[Bay 6] Other/empty  
[Bay 8] Other/empty

[Bay 1] VC-Enet  
[Bay 3] VC-Enet  
[Bay 5] VC-FC  
[Bay 7] Empty

[Bay 2] VC-Enet  
[Bay 4] VC-Enet  
[Bay 6] VC-FC  
[Bay 8] Empty

[Bay 1] VC-Enet\*  
[Bay 3] VC-Enet  
[Bay 5] VC-FC  
[Bay 7] VC-FC

[Bay 2] VC-Enet  
[Bay 4] VC-Enet  
[Bay 6] VC-FC  
[Bay 8] VC-FC

\* This configuration is only applicable for enclosures with full-height servers.

# QuickSpecs

## HP 4Gb Virtual Connect Fibre Channel Module for c-Class BladeSystem

### Supported Products

[Bay 1] VC-Enet  
[Bay 3] VC-FC  
[Bay 5] VC-Enet  
[Bay 7] Empty

[Bay 2] VC-Enet  
[Bay 4] VC-FC  
[Bay 6] VC-Enet  
[Bay 8] Empty

[Bay 1] VC-Enet  
[Bay 3] VC-FC  
[Bay 5] VC-Enet  
[Bay 7] VC-Enet

[Bay 2] VC-Enet  
[Bay 4] VC-FC  
[Bay 6] VC-Enet  
[Bay 8] VC-Enet

[Bay 1] VC-Enet  
[Bay 3] Other/empty  
[Bay 5] VC-FC  
[Bay 7] Empty

[Bay 2] VC-Enet  
[Bay 4] Other/empty  
[Bay 6] VC-FC  
[Bay 8] Empty

[Bay 1] VC-Enet  
[Bay 3] VC-FC  
[Bay 5] VC-FC  
[Bay 7] Empty

[Bay 2] VC-Enet  
[Bay 4] VC-FC  
[Bay 6] VC-FC  
[Bay 8] Empty

[Bay 1] VC-Enet  
[Bay 3] VC-Enet  
[Bay 5] VC-Enet  
[Bay 7] VC-Enet

[Bay 2] VC-Enet  
[Bay 4] VC-Enet  
[Bay 6] VC-Enet  
[Bay 8] VC-Enet

### HP BladeSystem c3000 Enclosure

**NOTE:** The following tables show a number of typical, supported configurations for an HP BladeSystem c3000 Enclosure.

[Bay 1] VC-Enet  
[Bay 3] Empty

[Bay 2] VC-Enet  
[Bay 4] Empty

[Bay 1] VC-Enet  
[Bay 3] VC-Enet

[Bay 2] VC-Enet  
[Bay 4] VC-Enet

[Bay 1] VC-Enet  
[Bay 3] VC-FC

[Bay 2] VC-Enet  
[Bay 4] VC-FC

### Stacking Configuration

Stacking is only supported on Virtual Connect Ethernet Modules. The Virtual Connect Fibre Channel modules are managed via the Virtual Connect Ethernet Modules. The Virtual Connect firmware is dynamically mirrored between modules so all configuration data is updated simultaneously in a stack. Fibre Channel data packets are not transmitted between modules in a stacked configuration.

### Service and Support, HP Care Pack and Warranty Information

#### Service and Support

This product is covered by a global limited warranty and supported by HP Services and a worldwide network of HP Authorized Channel Partners. Hardware diagnostic support and repair is available for three years from date of purchase. Support for software and initial setup is available for 90 days from date of purchase. Additional support may be covered under the warranty or available for an additional fee. Enhancements to warranty services are available through HP Care Pack services or customized service agreements.

**NOTE:** Server Blade Interconnect Limited Warranty includes 1 year Parts, 1 year Labor, 1-year on-site support. Additional information regarding worldwide limited warranty and technical support is available at: <http://h18004.www1.hp.com/products/servers/platforms/warranty/index.html>

HP services provide total care and support expertise with committed response designed to meet your IT and business needs.

To fully capitalize on your HP BladeSystem servers' capabilities requires a service partner who thoroughly understands your server technology and systems environment. HP Services, an industry leader in provision of multi vender support solutions provides a range of support services designed to meet the varying needs of business. Whether an SMB or large global corporation HP has a HP BladeSystem server support offer to help you speedily deploy and maximize system uptime.

**Recommended Service** - simplify ProLiant solution implementation, maintenance, and management.

- Support - 3-Year, 24x7, Same Business Day, 4-Hour response coverage
- Deployment Service - Installation and Start Up for HP BladeSystem Infrastructure

**Enhanced Service** - optimize service level to increase IT performance and availability.

- Support - 1-Year HP Proactive BladeSystem Service
- Deployment Service - Enhanced Network Installation and Start-up for HP BladeSystem Switches

Installation & Start-Up service for HP BladeSystem Infrastructure plus HP BladeSystem Enhanced Network Installation and Start-UP as per the Customer Description and/or Data Sheet. To be delivered on a scheduled basis 8am-5pm, M-F, excluding HP holidays.

For a complete listing of service offerings and information visit:

<http://www.hp.com/services/bladessystemservices>



# QuickSpecs

## HP 4Gb Virtual Connect Fibre Channel Module for c-Class BladeSystem

### Related Options

| Optional Network Cabling        | Hardware   |            |
|---------------------------------|--|------------|
| 4Gb Optical Transceivers (SFPs) | Short Wave 4Gb - 150m  | A7446B     |
|                                 | Long Wave - 10 km  | AE493A     |
| Optical cables                  | <b>LC-LC for between 2/4Gb and 2/4Gb Fibre Channel devices</b> |            |
|                                 | 2 m LC-LC Multi-Mode Fibre Channel Cable                       | 221692-B21 |
|                                 | 5 m LC-LC Multi-Mode Fibre Channel Cable                       | 221692-B22 |
|                                 | 15 m LC-LC Multi-Mode Fibre Channel Cable                      | 221692-B23 |
|                                 | 30 m LC-LC Multi-Mode Fibre Channel Cable                      | 221692-B26 |
|                                 | 50 m LC-LC Multi-Mode Fibre Channel Cable                      | 221692-B27 |
|                                 | <b>LC-SC for between a 1Gb and 2/4Gb Fibre Channel devices</b> |            |
|                                 | 2 m LC-SC Multi-Mode Fibre Channel Cable                       | 221691-B21 |
|                                 | 5 m LC-SC Multi-Mode Fibre Channel Cable                       | 221691-B22 |
|                                 | 15 m LC-SC Multi-Mode Fibre Channel Cable                      | 221691-B23 |

### Service and Support Offerings

**NOTE:** The HP Care Pack service part numbers below for ProLiant BL c-Class server blades, cover the server blade and all HP branded hardware options qualified for the server, purchased at the same time or afterwards, internal to the server.

#### Hardware Services On-site Service

|   |        |
|---|--------|
| 4-Hour On-site Service, 5-Day x 13-Hour Coverage, 3 Years, Electronic                 | UE458E |
| 4-Hour On-site Service, 7-Day x 24-Hour Coverage, 3 Years, Electronic                 | UE459E |
| 6-Hour Call to Repair, On-site Service, 7-Day x 24-Hour Coverage, 3 Years, Electronic | UE460E |

#### Support Plus 24

|   |        |
|---|--------|
| Onsite HW support 24x7, 4hr response and Microsoft O/S SW Tech support offsite, onsite at HP's discretion, 24x7 2hr response time incl. HP holidays, Electronic | UE473E |
|---|--------|

**NOTE:** HP Care Pack services for the c7000 and c3000 Enclosure cover the enclosure, power supplies and fans. HP qualified rack options are covered by these services when installed within the same rack. HP supported c-Class enclosure devices including pass thru, Ethernet interconnect and virtual connect modules are also covered by the c7000 and c3000 enclosure Care Pack services.

**NOTE:** SAN/Fabric switches for the HP c-Class BladeSystem are not covered under the c7000 and c3000 enclosure Care Packs, SAN/Fabric switches carry separate Care Packs. SAN/Fabric Switch Care Pack service level support should always be uplifted to match existing storage or server service level.

#### Hardware Services On-site Service

|   |        |
|---|--------|
| Next Business Day On-site Service, 5-Day x 9-Hour Coverage, 3 Years, Electronic                 | UE477E |
| <b>NOTE:</b> Uplifts the Ethernet devices to the same level of service as the c-class enclosure |        |
| 4-Hour On-site Service, 5-Day x 13-Hour Coverage, 3 Years, Electronic                           | UE478E |
| 4-Hour On-site Service, 7-Day x 24-Hour Coverage, 3 Years, Electronic                           | UE479E |
| 6-Hour Call to Repair, On-site Service, 7-Day x 24-Hour Coverage, 3 Years, Electronic           | UE480E |

#### Installation & Start-up Services



### Related Options

|  |        |
|--|--------|
| Hp BladeSystem c-Class Infrastructure Installation and Startup Service, Electronic | UE602E |
| HP BladeSystem Enhanced Network Installation and Startup Service, Electronic       | UE603E |
| ProLiant BL c-Class Blade Server Hardware Installation, Electronic                 | UE493E |
| ProLiant BL c-Class Enclosure and Server Blade Hardware Installation, Electronic   | UE494E |

**NOTE:** For more information, customer/resellers can contact <http://www.hp.com/services/bladessystemservices>

# QuickSpecs

## HP 4Gb Virtual Connect Fibre Channel Module for c-Class BladeSystem

### Technical Specifications

|                                    |   |  |
|------------------------------------|---|--|
| Shipping Dimensions                | Length  | 352.55mm (13.88 in)  |
|                                    | Width   | 270.00mm (10.63 in)  |
|                                    | Height  | 120.65mm (4.75 in)   |
| Shipping Weight                    |   | 2.0Kg (4.4lbs)   |
| Product Specifications<br>Hardware | Performance   | Up to 800 MBps throughput per port   |
|                                    |   | Maximum frame size 2148 bytes (2112 byte payload)  |
|                                    | Bandwidth   | 106 MB, Full Duplex @ 1-Gbps   |
|                                    |   | 212 MB, Full Duplex @ 2-Gbps   |
|                                    |   | 426 MB, Full Duplex @ 4-Gbps   |
|                                    | Aggregate Bandwidth   | Up to 8.52 GB, Full Duplex   |
|                                    | Fabric Latency (intra-switch)   | 1-Gbps to 1-Gbps < 0.6 $\mu$ sec   |
|                                    |   | 2-Gbps to 2-Gbps < 0.4 $\mu$ sec   |
|                                    |   | 4-Gbps to 4-Gbps < 0.2 $\mu$ sec   |
|                                    | Number of Fibre Channel Ports   | 4 external 1/2/4-Gbps ports  |
|                                    |   | 16 internal 1/2/4-Gbps ports   |
|                                    | External Port Type  | Configured as Fabric port (F_Port),<br>1Gb, 2Gb or 4Gb auto- negotiating SFP ports                           |
|                                    | Internal Port Type  | Configured as Fabric Node port (N_Port),<br>1Gb, 2Gb or 4Gb auto- negotiating                                |
|                                    | Classes of Service  | Class 2 and Class 3 Fibre Channel services   |
|                                    | Scalability   | Does not contribute to the total switch limit. See the SAN Design Guide for latest supported configurations. |
| Buffer Credits                     | 8 buffer credits per port, ASIC embedded memory   |  |
| Connectors and Cabling             | SFP optical hot-pluggable transceiver with LC connector                                       |  |
|                                    | Short-Wavelength Laser (SWL) up to 500m (1,640 ft.)<br>Long-Wavelength Laser (LWL) up to 10km |  |
| Indicators                         | Module locator (UID)  |  |
|                                    | Module status   |  |
|                                    | Link and Activity   |  |
|                                    | Port Configuration Status   |  |
| Dimensions                         | Length  | 10.5in (267.7mm)   |
|                                    | Width   | 7.5 in (92.79mm)   |
|                                    | Height  | 1.1 in (27.94mm)   |
| Weight                             |   | 1.27Kg (2.8 Lbs)   |

# QuickSpecs

## HP 4Gb Virtual Connect Fibre Channel Module for c-Class BladeSystem

### Technical Specifications

|                             |  |                                     |
|-----------------------------|--|-------------------------------------|
| <b>Environmental Ranges</b> | Specification                              | 10C to 35C (50F to 95F)             |
|                             | <b>Temperature Range</b>                   |                                     |
|                             | Operating                                  | 10C to 35C (50F to 95F)             |
|                             | Shipping                                   | Shipping -40C to 60C (-40F to 140F) |
|                             | Storage                                    | -20°C to 60°C (-4F to 140°F)        |
|                             | Maximum wet bulb temperature               | 30C (80F)                           |
|                             | <b>Relative humidity (noncondensing)**</b> |                                     |
|                             | Operating                                  | 10% to 90%                          |
|                             | Shipping                                   | 10% to 90%                          |
|                             | Storage                                    | 10% to 95%                          |
|                             | Specification                              | 10C to 35C (50F to 95F)             |
| <b>Power Specification</b>  | 12V @ 3A (36 W)                            |                                     |

### Product Specifications Software

#### Industry Standard NPIV Support

The Virtual Connect Fibre Channel module works by aggregating multiple FC HBA ports over a single N-port uplink through the use of N\_port\_ID virtualization (NPIV). NPIV allows multiple distinguishable identities (multiple port WWNs and port IDs) over a single N-port connection. Most Fibre Channel SAN switch vendors have support for NPIV in their latest firmware release. By conforming to the NPIV standard, SAN equipment interoperability simplified. The Virtual Connect Fibre Channel Module Provides basic 4:1, 8:1, or 16:1 NPIV Fibre Channel concentration.

#### Data Center Connectivity

Each Virtual Connect Fibre Channel module supports a single SAN fabric and is typically connected to a Fibre Channel switch that has been configured to run in NPIV mode. The 4 uplink ports are speed selectable from 1, 2, or 4Gb/s.

The setup wizard allows SAN administrators to name the fabric that servers will connect into and set the oversubscription rate. Fibre Channel boot parameters and WWN administration are configurable options that can be integrated into server profiles.

In an NPIV environment, there is an initial brief login function between the Virtual Connect Fibre Channel Module and the data center switch. Once completed, all HBA connections appear as though they are directly connected between the server and the SAN switch. The Virtual Connect Fibre Channel Module appears as a pass-thru device to the SAN, yet cables are reduced as high as 16:1

### Technical Specifications

#### Management Features

An HP 1/10Gb Virtual Connect Module must be present in order to configure the VC FC Modules. This provides a complete Virtual Connect Environment for the server connections.

Simple and intuitive Graphical User Interface (GUI) for defining, configuring, and managing all elements of the Virtual Connect Domain.

Setup Wizards for initial domain installation and configuration and network and SAN configuration.

Comprehensive administration, definition, and management of Ethernet Networks, Shared Uplink Sets using VLANs, SAN Fabric management, and Server Profiles

Domain Management of user accounts, enclosure, Virtual Connect domain settings, and firmware updates

The location and status of Virtual Connect Modules in the HP c-Class Enclosure and Onboard Administrator can be viewed from the Hardware Status page. Including at-a-glance detailed information of the hardware elements via mouse-over pop-up windows.

WWN Address Administration allows local administration of predefined WWN addresses ranges to allow pre-provisioning of SAN volumes.

VC manager runs as a high-availability pair when HP 1/10Gb VC-Ethernet Modules are installed in adjacent bays. All configuration data is stored in flash memory and checkpointed to the standby module. Configurations can also be backed up to a workstation via the GUI.

#### Management and Standards Support

#### Standards

ANCI T11 N\_Port ID Virtualization  
FC-PH Rev. 4.3  
FC-PH-2  
FC-PH-3  
FC-AL Rev 4.6  
FC-AL-2 Rev 7.0  
FC-FLA  
FC-GS  
FC-GS-2  
FC-GS-3  
FC-FG  
FC-VI  
FC Element MIB RFC 2837  
Fibre Alliance MIB Version 4.0

#### Safety and Compliance

#### Safety Certifications

UL/CUL Recognition to UL/CSA 60950-1  
TUV to EN 60950-1  
CB report and certificate to IEC 60950-1 with all country deviations  
CE Marking

### Technical Specifications

|   |   |
|---|---|
| Electromagnetic Emissions Certifications<br>FCC Part 15 Class A | FCC Part 15 Class A<br>EN 55022 Class A (CISPR22 Class A)<br>VCCI Class A<br>AS/NZS 3548 Class A or AS/NZS CISPR22 Class A<br>MIC Class A<br>CE Marking |
|---|---|

|  |   |   |
|--|---|---|
| Environment-friendly Products and Approach | <b>End-of-life Management and Recycling</b> | Hewlett-Packard offers end-of-life HP product return, trade-in, and recycling programs in many geographic areas. For trade-in information, please go to <a href="http://www.hp.com/go/green">http://www.hp.com/go/green</a> . To recycle your product, please go to: <a href="http://www.hp.com/go/green">http://www.hp.com/go/green</a> or contact your nearest HP sales office. Products returned to HP will be recycled, recovered or disposed of in a responsible manner. |
|--|---|---|

The EU WEEE directive (2002/95/EC) requires manufacturers to provide treatment information for each product type for use by treatment facilities. This information (product disassembly instructions) is posted on the Hewlett Packard web site at: <http://www.hp.com/go/green>. These instructions may be used by recyclers and other WEEE treatment facilities as well as HP OEM customers who integrate and re-sell HP equipment.

© Copyright 2007 Hewlett-Packard Development Company, L.P.

The information contained herein is subject to change without notice.

The only warranties for HP products and services are set forth in the express warranty statements accompanying such products and services. Nothing herein should be construed as constituting an additional warranty. HP shall not be liable for technical or editorial errors or omissions contained herein.