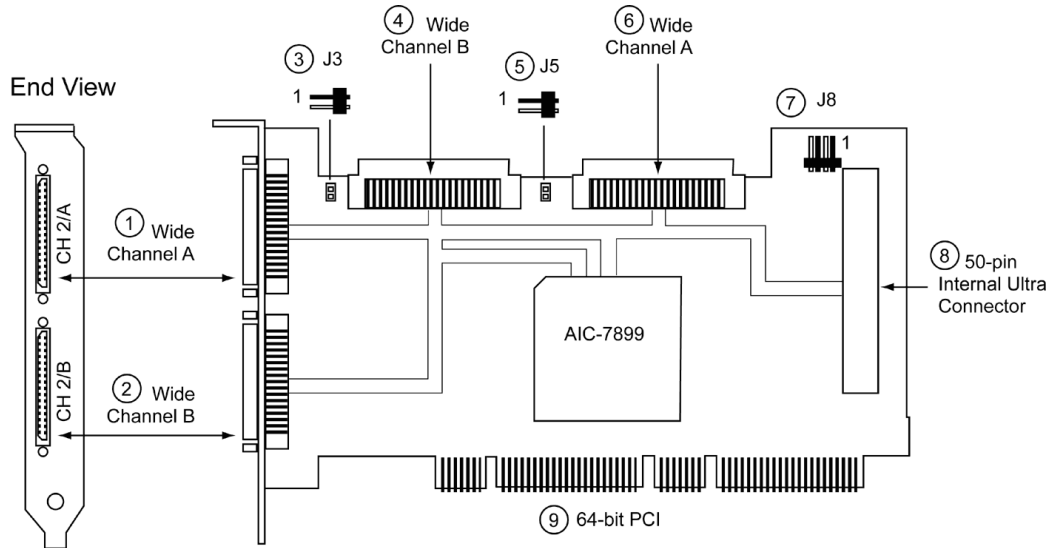


QuickSpecs

Compaq Two-Channel 64/66-MHz PCI-to-SCSI Host Bus Adapter (3X-KZPEA-DB)

Overview



1. 68-pin VHDCI external connector, Channel 1/A
2. 68-pin VHDCI external connector, Channel 2/B
3. J3 termination jumper, SCSI Channel 2/B
4. 68-pin HD internal SCSI connector, Channel B
5. J5 termination jumper, SCSI Channel 1/A
6. 68-pin HD internal SCSI connector, Channel 1/A
7. J8, SCSI activity LED (SCSI Channel 1/A, 2/B)
8. 50-pin internal SCSI connector (CD-ROM and/or tapes), Channel 1/A
9. 64-bit PCI connector

Models

3X-KZPEA-DB

Introduction

The Compaq Two-Channel Host Bus Adapter is a high performance PCI option module that connects devices attached to its two 16-bit Ultra3, 160-MB/s LVD/SE SCSI ports to a PCI-based host AlphaServer system. The module supports both 32-bit and 64-bit PCI slots.

The 3X-KZPEA-DB adapter is supported on the following AlphaServers and Alpha Workstations under OpenVMS and Tru64 UNIX, except where noted, in either Direct Attach Mode or Shared Bus Mode as indicated.

| Systems | Maximum Host Bus Adapters – Maximum Supported | Direct Attach Mode/Shared Bus Mode |
|---------------------------------------|--|------------------------------------|
| AlphaServer DS10 | 1 | Direct Attach or Shared Bus |
| AlphaServer DS10L | 1 | Direct Attach |
| AlphaServer DS20E | 4 | Direct Attach or Shared Bus |
| AlphaServer DS20L (Tru64 UNIX 1 only) | 1 | Direct Attach |
| AlphaServer DS25 | 4 | Direct Attach or Shared Bus |
| AlphaServer ES40 (EV68 Only) | 4 | Direct Attach or Shared Bus |
| AlphaServer ES45 | 4 | Direct Attach or Shared Bus |
| AlphaServer ES47 | Configuration Dependent, See ES47 QuickSpecs | Direct Attach |
| AlphaServer ES80 | Configuration Dependent, See ES80 QuickSpecs | Direct Attach |
| AlphaServer GS1280 | Configuration Dependent, See GS1280 QuickSpecs | Direct Attach |
| AlphaServer GS80 | 4 – per system/partition/QBB | Direct Attach |
| AlphaServer GS160 | 4 – per system/partition/QBB | Direct Attach |
| AlphaServer GS320 | 4 – per system/partition/QBB | Direct Attach |
| AlphaStation XP900 | 1 | Direct Attach |
| AlphaStation XP1000 | 1 | Direct Attach |

Overview

The 3X-KZPEA-DB is supported on the following operating systems:

- Tru64 UNIX - Direct Attach - Non Shared
 - Minimum SRM console version - V5.8
 - Minimum Tru64 UNIX version - V5.1
- Tru64 UNIX - Shared Bus Support (Shared Bus not supported under OpenVMS)
 - Minimum SRM console version - V6.3
- Minimum Tru64 UNIX version - V5.1A
 - Two node maximum per shared SCSI bus configuration supported
 - 3X-BN55A-01 Y-cable and connector plug assembly and 3X-H32CT-AA external LVD terminator are required per shared bus
- OpenVMS - Direct Attach - Non Shared
 - Minimum SRM console version - V6.0
 - Minimum OpenVMS version - V 7.2-2

Benefits at a Glance

- Ultra160/LVD-ready support for AlphaServers
- 64-bit PCI (compatible with 32-bit)
- Universal power (3.3v and 5.0v signaling)
- Two internal (68-pin wide) and two external (VHDCI) connectors. Channel A also supports an internal 50-pin header for legacy narrow device.
- Supports two channels with up to seven internal or external targets per channel, operating system dependent.
- Higher performance since module supports 64-bit 66-MHz operation.
- Tru64 UNIX Shared Bus Support

Key Features

- Two Ultra160 Channels
- Tru64 UNIX and OpenVMS Direct Attach support
- Tru64 UNIX Shared Bus Support
- Universal power (3.3v and 5.0v)
- 64-bit PCI (compatible with 32-bit) and 66-MHz operation

QuickSpecs

Compaq Two-Channel 64/66-MHz PCI-to-SCSI Host Bus Adapter (3X-KZPEA-DB)

Product Highlights

Capacity

- Supports up to seven SCSI drives per channel on StorageWorks Enclosure Models 4254 Ultra2/LVD and 4354 Ultra3/LVD device shelves
 - Supports DS-BA356-SD StorageWorks on single-ended Ultra (40-MB/sec) shelf
 - Supports six slot internal card cage (BA610-6D) on AlphaServer DS20E, AlphaServer DS25, AlphaServer ES40, and AlphaServer ES45 systems
 - Supports 8/16-bit Single-ended Fast 10 and Ultra SCSI devices on Channel A only
 - Supports 16-bit SE/LVD Ultra2 and Ultra160 SCSI devices on Channel A and B
-

Manageability

- On-board Configuration Utility via SRM Console

QuickSpecs

Compaq Two-Channel 64/66-MHz PCI-to-SCSI Host Bus Adapter (3X-KZPEA-DB)

Service and Support, HP Care Pack and Warranty Information

- Software Product Services**
- Stand-alone telephone support
 - Rights to new license version
 - Media and documentation updates

- Hardware Product Services**
- Installation services
 - On-site maintenance (includes warranty support)
 - Response time upgrades during the warranty period
 - Post-warranty coverage
 - RAID setup and performance consulting via statement of work

For additional hardware installation and maintenance information, refer to the URLs listed below:

http://h18005.www1.hp.com/services/carepaq/us/install/cp_storage.html

http://h18005.www1.hp.com/services/carepaq/us/hardware/cp_storage.html

- Warranty Upgrade Options**
- Response - Upgrade on-site response from next business day to same day 4 hours
 - Coverage - Extend hours of coverage from 5 days x 9 hours to 7 days x 24 hours
 - Duration - Select duration of coverage for a period of 1, 3, or 5 years

NOTE: Certain restrictions and exclusions apply. Consult the Customer Support Center for details.

| | | |
|---------------------------------|--|-------------|
| HP Care Pack Information | 3-year, uplift to 5 x 9, Next Day Response | FM-**XHW-36 |
| Sample part numbers: | 3-year, uplift to 5 x 9, 4-hour Response | FM-**4HR-36 |
| | 3-year, uplift to 7 x 24, 4-hour Response | FM-**724-36 |

NOTE: ** represents a two-digit, product-specific code

- HP Care Pack is defined as an upgrade to the product warranty attribute, available for a specific duration and hours of coverage.
- HP Care Pack is not available for less than the product's warranty duration.
- HP Care Pack is available for sale anytime during the warranty period for most products, but the commencement date will be the same as the Warranty Start Date (delivery date to end user customer). Proof of purchase may be required.
- HP Care Pack services are prepaid.

For additional HP Care Pack (hardware & software) information as well as orderable part numbers, refer to the following Web page:

<http://h18005.www1.hp.com/services/carepaq/index.html>

Components

The following brick level options/components do not have individual HP Care Pack services. These items will be included in product HP Care Pack services into which they are installed.

| | | | | |
|----------------|-------------------------------|----------------|-------------------|----------|
| Disk Drives | Tape Drives | CD/DVD ROM | SCSI Hubs in SBBs | Adapters |
| Bus Converters | Backplane RAID Controllers | Power Supplies | Cabling | Fans |

QuickSpecs

Compaq Two-Channel 64/66-MHz PCI-to-SCSI Host Bus Adapter (3X-KZPEA-DB)

Technical Specifications

| | | | | |
|----------------------------------|---|--------------------------------------|--|----------------------------|
| Protocol Support | Ultra160/LVD and SE, PCI Local Bus Specification revision 2.2 compliant, PC99 compliant | | | |
| Processor Support | EV67 and EV68 | | | |
| Drive Support | Compaq supported devices, Ultra160, Ultra2 LVD/SE, Ultra Fast and Narrow | | | |
| O/S Support | Tru64 UNIX 5.1 with Patch Kit 3 for Direct Attach configurations Tru64 UNIX 5.1A with PK4 for Shared Bus Configurations Tru64 UNIX V5.1B with IPK for Direct Attach or Shared Bus Configurations OpenVMS V7.2-2 and V7.3 | | | |
| UPC Codes | 613326184745 | | | |
| Environmental | Temperature | Operating | 113° F (45° C maximum) | 50° F (10° C minimum) |
| | | Non-operating | 150.8° F (66° C maximum) | -40° F (-40° C minimum) |
| | Relative Humidity | Operating | 90% @ 84.2° F (29° C) | 58% @ 95° F (35° C) |
| | | Non-operating | 90% @ 150.8° F (66° C) | |
| | Altitude | Operating | 10K ft maximum | |
| | | Non-operating | 30K ft | |
| Mechanical Specifications | Dimensions (HxWxD) | Product | 0.44 x 4.2 x 6.9 in (1.1 x 10.7 x 17.5 cm) Printed Circuit Assembly | |
| | | Shipping | 2.5 x 8.5 x 10 in (6.4 x 21.6 x 25.4 cm) Single pack box | |
| | Weight | Product | 2.2 lb (1 kg) | |
| | | Shipping | 4.4 lb (2 kg) | |
| Electrical | Specification | Value | | |
| | Power Dissipation | 5.7 W | | |
| | Current Requirement | 1.14 Amps maximum | | |
| | Input Voltage Requirement | + 5 volts DC ± 5% | | |
| | Power Supply Voltage Ripple Requirement | 50mV peak-to-peak maximum | | |
| Reliability | Mean Time Between Failure | 600,000 hours minimum @95° F (35° C) | | |

© Copyright 2003 Hewlett-Packard Development Company, L.P.

The information contained herein is subject to change without notice. Microsoft and Windows are registered trademarks or trademarks of Microsoft Corporation in the U.S. and/or other countries. The only warranties for HP products and services are set forth in the express warranty statements accompanying such products and services. Nothing herein should be construed as constituting an additional warranty. HP shall not be liable for technical or editorial errors or omissions contained herein.