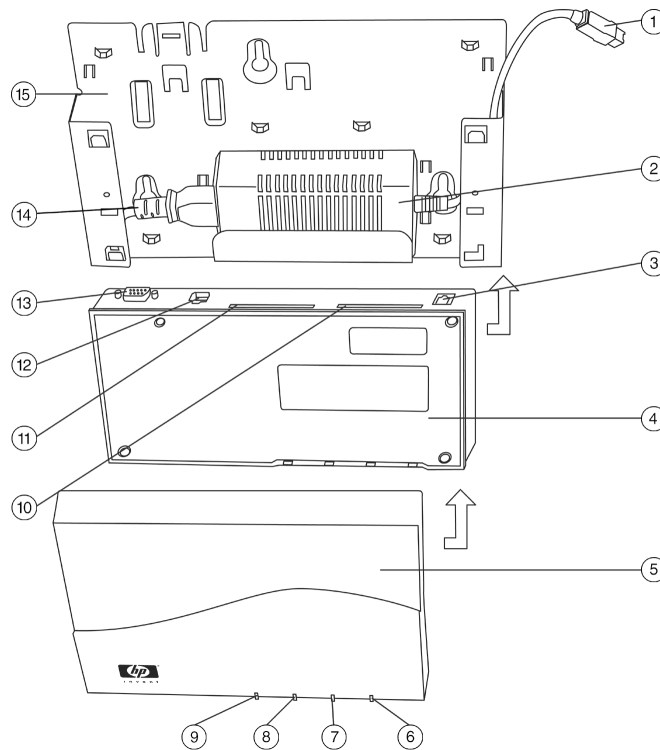


# QuickSpecs

## HP enterprise access point WL520

### Overview



- |                             |  |
|-----------------------------|--|
| 1. Power Out                | 8. Ethernet LAN Activity LED               |
| 2. Power Supply             | 9. Power LED                               |
| 3. Power Input              | 10. Wireless Interface Cardbus Slot B      |
| 4. Processor Module         | 11. Wireless Interface Cardbus Slot A      |
| 5. Cover                    | 12. RJ-45 Ethernet Interface 10/100 Base-T |
| 6. Wireless Activity Slot B | 13. RS-232c (9 pin) Serial Port            |
| 7. Wireless Activity Slot A | 14. Power Cord                             |
|                             | 15. Wall Mounting Plate                    |

### Models

274685-001 - United States, Canada, Latin America, Taiwan  
274685-011 - Australia, New Zealand  
274685-021 - Pan European  
274685-031 - UK, Singapore, Hong Kong, South Africa  
274685-291 - Japan  
274685-AD1 - Korea  
274685-AE1 - Malaysia  
274685-061 - Italy

### What's New

- Upgradeable to provide simultaneous support for IEEE 802.11a and 802.11b radio standards
- Wireless Distribution System (WDS)
- 2 user VLAN support
- Automatic channel select
- Configuration and management through HTTP interface - (web browser interface)
- Plenum rated

# QuickSpecs

## HP enterprise access point WL520

---

### Overview

#### At A Glance

- IEEE 802.1x support for MD5, TLS and TTLS
- 64 and 128-bit RC4 Wired Equivalency Protocol (WEP) encryption
- Rapid re-keying of WEP keys
- Robust management tools to configure and monitor the access point
- 802.1d bridging
- DHCP client and server support
- Double network capacity with dual 32-bit cardbus slots
- Supports up to 250 wireless clients per radio slot

# QuickSpecs

## HP enterprise access point WL520

### Standard Features

#### Features

##### Common to 802.11a and 802.11b networks

HTTP Server Interface for Configuration and Management  
Telnet / CLI  
SNMP Agent  
TFTP  
2 User VLAN Support  
DHCP Client  
DHCP Server  
802.1x Support For MD5, TLS and TTLS  
802.1d Bridging  
Automatic Channel Select  
Roaming  
64 and 128 bit WEP Encryption  
RADIUS Access Control

MAC Access Control Table  
Protocol Filtering  
Static MAC Filtering  
Multicast/Broadcast Storm Filtering  
Proxy ARP  
ICMP Echo Response  
Hardware Watchdog Timer  
Emergency Reset to Default Configuration  
Link Integrity

##### Applicable to the 802.11b network

Up to 250 stations per radio card  
WEP Plus (Weak Key Avoidance)  
WDS Relay (Wireless Distribution System)  
Remote Link Test  
Link Test Responder for 802.11b network  
Medium Density Distribution

Distance between AP's  
Ultra High Cell Density Support  
Closed System  
Interference Robustness  
Load Balancing on 802.11b network  
SpectraLink VoIP Support

##### Applicable to the 802.11a network

Fragmentation support for 802.11a network  
Up to 50 stations for 802.11a

### Feature Highlights

#### IEEE 802.1X EAP Support

Extends port based network access control to the wireless LAN network. Supported EAP types include: MD5, TLS and TTLS for secure user authentication via certificate based authentication or exchange of username and password within a secure tunnel environment.

2 WEP keys (separate up and down stream key) are generated and managed by the access point. WEP keys are distributed to the wireless client only after successful user authentication.

New WEP key pairs generated and distributed after authentication, at re-authentication and any given interval as configured in the access point.

Mix mode support - shared down key (static) for all clients. Shared down key used by all non-802.1x clients for authentication and encryption of all wireless data. 802.1x enabled clients assigned dynamic WEP key for up stream encryption upon successful 802.1x authentication, re-authentication or re-key interval.

#### IEEE 802.11a Upgrade Kit

The HP access point WL520 is designed to support both 2.4 GHz (IEEE 802.11b) and 5 GHz (IEEE 802.11a) wireless clients. The 802.11a upgrade kit (purchased separately) contains a 5 GHz PC card and an antenna adapter that snaps into place on the existing wall mounting bracket of the access point. The upgrade kit can be installed while the access point WL520 remains on the wall.

#### VLAN Support

Virtual Local Area Networks (VLANs) segment network traffic into workgroups to restrict user access to network resources and limit broadcast and multicast traffic to users to a specific VLAN. The HP WL520 provides two-user VLAN support by utilizing the capabilities of the dual slot radio design; each slot represents a unique VLAN. VLAN access is extended to wireless clients by using a unique Network Name (SSID) for each wireless PC card inserted in the access point WL520.

Benefits of a wireless VLAN include:

- Efficient use of the dual slot radio bandwidth (capacity) by distributing broadcast, multicast and unicast traffic to wireless clients of a specific VLAN.
- Secure method to separate guest users from restricted corporate network resources.

### Standard Features

#### Auto Channel Select

Auto Channel Select (ACS) tests available channels and selects one based on signal strength. The channel range is set by the regulatory agency responsible for your geographic region. The HP WL520 scans appropriate channels and selects the radio frequency channel with the best signal to noise ratio (in other words, signal strength).

#### WEP Plus (Weak Key Avoidance)

By eliminating IV (Initialization Vector) values that generate "weak keys", WEP vulnerabilities as described in "Weaknesses in the Key Scheduling Algorithm of RC4" by Scott Fluhrer, Itsik Mantin and Adi Shamir, and demonstrated through the use of the program AirSnort, are eliminated.

Benefit realized between HP 11-Mbps wireless LAN NICs and HP Enterprise Access Point WL520. Feature does not affect interoperability with devices that do not support the weak key avoidance - no benefit realized.

#### WDS (Wireless Distribution System)

Up to 6 wireless links supported in each access point. Two possible configurations:

- Single radio supports wireless traffic to other WDS relay access points and local wireless clients within the cell.
- Dual radio configuration - one radio dedicated to supporting wireless traffic to other WDS relay access points with second radio dedicated to serving local wireless clients within the cell.

# QuickSpecs

## HP enterprise access point WL520

### Technical Specifications

Speed	11 Mbps	5.5 Mbps	2 Mbps	1 Mbps
Open Office	525 ft (160 m)	885 ft (270 m)	1300 ft (400 m)	1750 ft (550 m)
Semi Open Office	165 ft (50 m)	230 ft (70 m)	300 ft (90 m)	375 ft (115 m)
Closed Office	80 ft (25 m)	115 ft (35 m)	130 ft (40 m)	165 ft (50 m)
Receiver Sensitivity	-82	-87	-91	-94
Delay Spread (FER of < 1%)	65ns	225ns	400ns	500ns

<b>Operating System</b>	HTTP interface to access point requires Internet Explorer 5.5 or higher or Netscape 6.0		
<b>Processor</b>	Intel SA1110 - 233MHz		
<b>Memory</b>	16 MB SDRAM, 8 MB Flash ROM Memory		
<b>Ethernet Controller</b>	National DP83851		
<b>Local Bus</b>	66 MHz 32 bit, 264 Mbit/s peak		
<b>Interfaces</b>	<b>Ethernet</b>	10/100 base-T Ethernet (RJ-45)	
	<b>Wireless</b>	2 CardBus slots for radio NIC (hp wireless PC card WL110)	
	<b>RS-232 Serial Port</b>	Console Unit Configuration Port	
<b>Physical Specifications</b>	<b>Dimensions (H x W x L)</b>	2.0 x 7.3 x 10.2 in (50 x 185 x 261 mm)	
	<b>Weight</b>	3.86 lb (1.75 kg)	
	<b>Operating</b>	32° to 104° F (0° to 40° C) Maximum 95% relative humidity (non-condensing) 740 - 1050 hPa barometric pressure	
<b>Environmental Specifications</b>	<b>Storage</b>	14° to 122° F (-10° to 50° C) Maximum 95% relative humidity (non-condensing)	
	<b>Power Supply</b>	Integrated module Auto sensing 100/240 VAC 50/60 Hz 0.2 A	
<b>Mechanical Specification</b>	Modular design		
	Plastic cover		
	Metal mounting plate that allows for placement on a wall, ceiling or table		
<b>LEDs</b>	Power		
	Ethernet LAN Activity		
	Wireless LAN Activity on Slot A		
	Wireless LAN Activity on Slot B		
<b>EMC and Safety Compliance</b>	EMC		
	Safety <b>NOTE:</b> Plenum rated (without plastic cabinet).		
<b>Service and Support</b>	The HP Enterprise Access Point WL520 has a one-year limited warranty. Technical support is available seven days a week, 24 hours a day, by phone as well as online support forums. Certain restrictions and exclusions apply.		

© Copyright 2003 Hewlett-Packard Development Company, L.P.

The information contained herein is subject to change without notice.

The only warranties for HP products and services are set forth in the express warranty statements accompanying such products and services. Nothing herein should be construed as constituting an additional warranty. HP shall not be liable for technical or editorial errors or omissions contained herein.