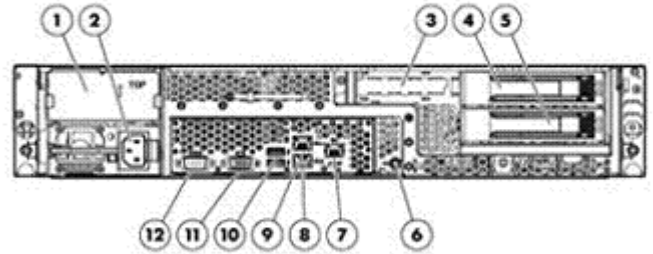
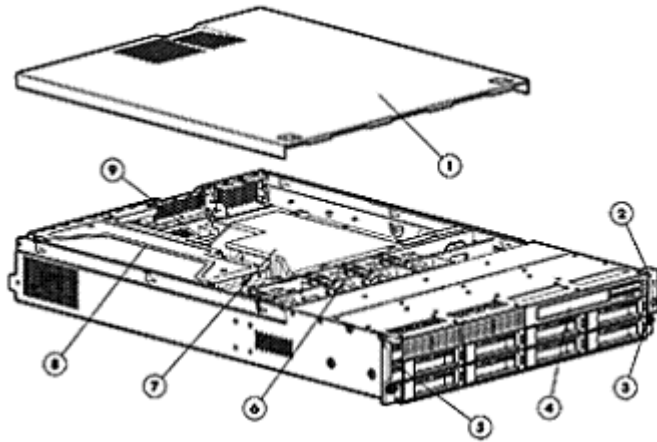


QuickSpecs

HP ProLiant DL180 Generation 6 (G6)

Overview

The HP ProLiant DL180 G6 is a low cost high capacity storage optimized 2-way server that delivers on a history of design excellence and 2U density for a variety of rack deployments and applications.



Front View:

1. Access panel
2. Front LED Indicators
3. Power on/off
4. Optional DVD-RW or DVD-ROM drive
5. Front USB Ports (2)
6. Non-Hot Plug Non Redundant fans (4 fans)
7. Air Baffle
8. PCI Cage
9. System Board

Rear View:

1. Redundant Power Supply Bay (Optional)
2. Power Supply Cable Socket
3. Low Profile Card Slot
4. PCI Expansion Card Slot
5. PCI Expansion Card Slot
6. UID LED Button
7. (Optional) L0100i 10/100 Mbps LAN port for IPMI management (RJ-45)
8. LAN Port
9. LAN Port
10. 2 Rear USB 2.0 Ports
11. VGA Port
12. Serial Port

What's New

- Support for HP 3TB 3G SATA 7.2K 3.5in MidLine Hard Drive

QuickSpecs

HP ProLiant DL180 Generation 6 (G6)

Standard Features

NOTE: For the Standard Features shipped in the Factory Integrated Models, please see the "Configuration Information - Factory Integrated Models" section.

Processor
One of the following
depending on Model

Intel® Xeon® X5660 (2.80GHz/6-core/12MB/95W, DDR3-1333, HT, Turbo 2/2/2/2/3/3) Processor
NOTE: Available through Configure To Order only. See Factory Integration Models section for more details.
Intel® Xeon® X5650 (2.66GHz/6-core/12MB/95W, DDR3-1333, HT, Turbo 2/2/2/2/3/3) Processor
Intel® Xeon® E5649 (2.53GHz/6-core/12MB/80W, DDR3-1333, HT, Turbo 1/1/1/1/2/2) Processor
NOTE: Available through Configure To Order only. See Factory Integration Models section for more details.
Intel® Xeon® E5645 (2.40GHz/6-core/12MB/80W, DDR3-1333, HT, Turbo 1/1/1/1/2/2) Processor
Intel® Xeon® L5640 (2.26GHz/6-core/12MB/60W, DDR3-1333, HT, Turbo 2/2/3/3/4/4) Processor
NOTE: Available through Configure To Order only. See Factory Integration Models section for more details.

Quad -Core Processors

Intel® Xeon® X5672 (3.20GHz/4-core/12MB/95W, DDR3-1333, HT, Turbo NA/NA/2/2/3/3) Processor
Intel® Xeon® E5620 (2.40GHz/4-core/12MB/80W, DDR3-1066, HT, Turbo 1/1/2/2) Processor
Intel® Xeon® E5606 (2.13GHz/4-core/8MB/80W, DDR3-1066) Processor
Intel® Xeon® E5603 (1.60GHz/4-core/4MB/80W, DDR3-1066) Processor
NOTE: Available through Configure To Order only. See Factory Integration Models section for more details.
Intel® Xeon® L5630 (2.13GHz/4-core/12MB/40W, DDR3-1066, HT, Turbo 1/1/2/2/) Processor
Intel® Xeon® E5540 (2.53GHz/4-core/8MB/80W, DDR3-1066, HT, Turbo 1/1/2/2) Processor
Intel® Xeon® E5520 (2.26GHz/4-core/8MB/60W, DDR3-1066, HT, Turbo 1/1/2/2) Processor
NOTE: HT indicates that the processor model supports Intel® Hyper-Threading Technology.
NOTE: Turbo indicates the maximum potential frequency increment when using Intel® Turbo Boost Technology, with 4, 3, 2, and 1 cores active.
NOTE: DDR3 speed is the maximum memory speed of the processor. Actual memory speed may depend on the quantity and type of DIMMs installed.
NOTE: For the Intel 5000 Series, the letter preceding the model number indicates the performance/wattage of the processor. "X" denotes High Performance/Wattage; "E" denotes Enterprise Performance/Wattage (Mainstream); and "L" denotes Lower Wattage.

Cache Memory
One of the following
depending on Model

12 MB Level 3 cache (L5630,E5620,X5650)

Chipset

Intel® 5520 Chipset
NOTE: For more information regarding Intel chipsets, please see the following URL:
<http://www.intel.com/products/server/chipsets/>.

Upgradeability

Upgradeable to two processors



QuickSpecs

HP ProLiant DL180 Generation 6 (G6)

Standard Features

Memory Protection	Advanced memory protection Mirroring Mode Lockstep Mode
--------------------------	---

Memory	Type	DDR3 Registered (RDIMM) or Unbuffered (UDIMM)
	DIMM slots	Total 12 DIMM slots
	Standard (Entry Models)	4GB (1 x 4GB)
	Standard (Base Models)	8GB (2 x 4GB)
	Standard (Performance Models)	16GB (4 x 4GB)
	Maximum (RDIMM)	192GB (12 x 16GB)
	Maximum (UDIMM)	48GB (12 x 4GB)

NOTE: Half DIMM slots are available when one processor is installed.

NOTE: Depending on the memory configuration and processor model, the memory speed may run at 1333MHz, 1066MHz, or 800MHz. Please see the Online Memory Configuration Tool at: www.hp.com/go/ddr3memory-configurator.

Network Controller	HP NC362i Integrated Dual Port Gigabit Server Adapter
---------------------------	---

Expansion Slots	Slot Number	Bus Speed	Bus Number*	Device Number**	Hot Plug (Y/N)	Notes
	1	x16 PCI-Express	6	0	N	Low Profile
	2	x8 PCI-Express	5	0	N	Full Length Full Height
	3	x8 PCI-Express	4	0	N	Full Length Full Height
	4	x4 PCI-Express	3	0	N	Full Length Full Height
	2	PCI-X***	Dynamic	1	N	Full Length Full Height
	3	PCI-X***	Dynamic	2	N	Full Length Full Height

NOTE: All slots can accept universal keyed PCI cards.

NOTE: Only PCI-X support is available in slot 4, supporting PCI-X cards. PCI legacy cards are not supported.

* Default bus assignment. Inserting cards with PCI bridges may alter the actual bus assignment number.

** Slots are enumerated differently based on OS. MS OS's enumerate from lowest to highest Device ID by bus (starting with the lowest bus).

*** PCI-X bus speed will be 100MHz in maximum and support two PCI-X/100MHz cards.

**** Slot 2 contains bus 4 and bus 5 because BIOS configures this x16 PCI-express.

NOTE: Slot to two x8 PCI-express slot for production riser, this is valid only on Option1: 2 PCIe2x8 full-length/full-height PCI-Express slots (Optional) or Option 4: 2 PCIe2x8 and 1 PCIe8 (4) full-length/full-height slots (Optional).



QuickSpecs

HP ProLiant DL180 Generation 6 (G6)

Standard Features

Storage Controller One of the following depending on Model	4HDD Models	HP Smart Array B110i SATA RAID NOTE: To enable RAID on Embedded SATA, use the HP Smart Array B110i SATA RAID Controller, To enable use of the B110i, enter the ROM based setup utility(RBSU). The option for enabling RAID can be found in the Advanced section of the RBSU. NOTE: Embedded SATA controller support transfer rate up to 3Gb/s NOTE: A diskette drive or virtual FDD using LO100 Advanced Pack is needed to install storage controller drivers during a Windows operating system installation from a CD. NOTE: HP Smart Array B110i does not support greater than 2TB hard drive.
	8HDD Models	HP Smart Array P410/256MB Controller (RAID 0/1/1+0/5/5+0) NOTE: Support transfer rate up to 6Gb/s SAS or 3Gb/s SATA
	12HDD Models	HP Smart Array P212/256MB Controller (RAID 0/1/1+0/5/5+0) NOTE: Available upgrades: P410 with FBWC, 256MB with BBWC, 512MB with FBWC, Battery kit upgrade (for the 256MB cache), and Smart Array Advanced Pack (SAAP). NOTE: Support transfer rate up to 3Gb/s SAS or 3Gb/s SATA
	25HDD Models	HP Smart Array P410/256MB Controller (RAID 0/1/1+0/5/5+0) NOTE: Available upgrades: P410, 512MB with FBWC, Battery kit upgrade (for the 256MB cache), and Smart Array Advanced Pack (SAAP). NOTE: Support transfer rate up to 6Gb/s SAS or 3Gb/s SATA
		NOTE: A minimum of 256 MB cache, battery kit, and Smart Array Advanced Pack License Key upgrade (P/N: 516471-B21) is required to enable RAID 6, 6+0 NOTE: To achieve highest possible stated transfer rate please make sure the firmware on the drive bays (backplanes) and HP Smart Array controller up to date. Latest firmware are available to download from HP support web site. NOTE: All Hard drive bay options except 4LFF require HP Smart Array P410 or P212 controller. NOTE: Full Height/ Full Length Riser Option is not available when the Rear 2LFF drive bays is selected for the system.

Internal Storage Devices One of the following depending on Model	Diskette Drives	Via USB only
	Optical Drives	Optional HP Slim SATA DVD-ROM Optical Drive Optional HP Slim SATA DVD RW Optical Drive NOTE: Support in 4, 8, and 12 drive models. Optical drives can only be installed in 12 drive model and 25SFF drive bay system with rear option kit (P/N 515826-B21).
	Drive Bays	Up to 14 Hot Plug SAS/SATA 3.5" drives Up to 25 Hot Plug SAS/SATA 2.5" drives NOTE: 4 Drive Models are Non-Hot Pluggable. Smart Array Controller must be added for Hot Plug drive capability. 4 Drive Models can be upgraded with the addition of a Smart Array Controller and a SAS/SATA Multi-lane cable (496013-B21). NOTE: The addition of a Smart Array Controller requires the addition of a SAS/SATA Multi-lane cable (P/N 496013-B21).



QuickSpecs

HP ProLiant DL180 Generation 6 (G6)

Standard Features

Maximum Internal Storage One of the following depending on Model	Hot Plug 3.5" SATA	42.0TB (14 x 3TB)
	Hot Plug 3.5" SAS	42.0TB (14 x 3TB)
	Hot Plug 2.5" SATA	25.0TB (25 x 1.0TB)
	Hot Plug 2.5" SATA SSD	10.0TB (25 x 400GB)
	Hot Plug 3.5" SATA SSD	5.6TB (14 x 400GB)
	Hot Plug 2.5" SAS	25.0TB (25 x 1.0TB)
	Hot Plug 2.5" SAS SSD	20.0TB (25 x 800GB)

Interfaces	Network RJ-45 (Ethernet)	2 10/100/1000 NIC ports (plus 1 dedicated for the HP ProLiant Lights Out 100i Remote Management)
	Serial	1
	Graphics	1
	USB	5 total ports: (2) front, (2) rear, (1) optional internal NOTE: In order to connect a USB device internally, the internal USB Cable G6 Kit must be used (P/N 536769-B21).

Industry Standard Compliance	ACPI V2.0 Compliant
	PCI 2.2 Compliant
	PXE Support
	WOL Support
	Microsoft® Logo certifications
IPMI 2.0 Compliant	

Server Power Cords One 6' Highline (IEC-IEC) power cord ships standard
NOTE: HP ProLiant DL servers no longer ship standard with NEMA power cords (P/N 163719-002) that allow connection to 110V US wall outlets in a home or office. ProLiant DL servers are primarily connected to PDU's in data center racks so they now ship standard with a PDU power cord (416151-B21). If a user wishes to power a ProLiant DL server using a 110V receptacle (NEMA-15), the NEMA power cord must be ordered separately.

If customers require a local power cord, they can check the power cord matrix for the appropriate cord. Please see the following power cord matrix: <http://www.hp.com/go/powercordmatrix>

NOTE: Rack models ship standard with an IEC cable.

Localized cables included with geographic specific models in other world regions.

QuickSpecs

HP ProLiant DL180 Generation 6 (G6)

Standard Features

Common Slot Power Supply

HP has a new design for ProLiant power. The new Common Slot Power Supply bay. This design provides the customer with commonality in power supplies across multiple platforms to save on the cost of spares and allows HP to offer multiple power solutions to fit the customers' needs. Many HP ProLiant Servers come with Common Slot, High Efficiency and Right-Size Power Supplies. Common Slot (CS) designates commonality of the power supply across multiple ProLiant servers. HP's new Common Slot power supplies are designed for highest efficiency to provide power efficiency without degrading performance of the ProLiant. Power Supplies will have efficiency ratings up to 92%. There are three Right Size power options available, depending on the configuration of your server. To make sure you select the correct power supply to meet your configuration, we suggest that you use the HP Power Advisor to decide the "Right-Size" for your configuration. All HP Common Slot power sources are UL, CE Mark Compliant, Hot Plug and Redundant.

It is highly recommended that you use the HP Power Advisor in defining the "Right-Size" power supply for your needs. HP offers Power Supply Options:

- 460Watts, Common Slot, 92% Efficiency
- 750Watts, Common Slot, 92% Efficiency
- 460Watts, Common Slot, 94% Efficiency
- 750Watts, Common Slot, 94% Efficiency
- 1200Watts, Common Slot, -48V DC Power Supply

HP's ProLiant Common Slot Power supplies (460W & 750W) meet multiple Energy Efficiency Initiatives. Climate Savers Computing Initiative GOLD, ECOS Consulting 80PLUS GOLD and plans on offering models that meet the Energy Star for Server requirements when they are published.

HP's ProLiant Common Slot Power supplies (1200W) meet multiple Energy Efficiency Initiatives. Climate Savers Computing Initiative Bronze, ECOS Consulting 80PLUS Bronze Power Supply requirements.

Redundant Power: Optional (1+ 1 or n+n redundant) power supplies can be purchased through power supply option kits.

System Fans

4 system fans ship standard; Non-hot plug, Non-redundant
NOTE: Redundant fan kit (P/N 516009-B21) available for purchase.

Operating Systems and Virtualization Software Support for ProLiant Servers

[Microsoft Windows Server](#)
[Microsoft Windows Server Hyper-V](#)
[Red Hat Enterprise Linux \(RHEL\)](#)
[SUSE Linux Enterprise Server \(SLES\)](#)
[VMware ESX Server](#)
[Citrix Essentials for XenServer \(Retail\)](#)

NOTE: For more information on HP's Certified and Supported ProLiant Servers for OS and Virtualization Software and latest listing of software drivers available for your server, including how to purchase from HP, please visit our OS Support Site at: <http://www.hp.com/go/ossupport>

Graphics

32MB shared supporting all display resolutions up to 1600x1200 16bpp@75Hz
NOTE: 8MB is dedicated to video memory.



QuickSpecs

HP ProLiant DL180 Generation 6 (G6)

Standard Features

Form Factor Rack (2U), (3.5 in/8.89 cm)

Embedded Manageability **HP Lights-Out 100 (LO100) Advanced**

HP LO100 with Optional LO100 Advanced Licenses for Virtual KVM and Virtual Media.

Features:

- Embedded IPMI standard reporting
System event log access
- Remote Serial console (serial redirection)
- Browser, Telnet access
- SMASH-CLP compliant
- IPMI 2.0 compliant
- Secure Socket Layer Encryption
- Secure Shell Encryption
- Virtual media (Floppy, CD, USB 2.0) with Advanced License
- Virtual KVM with Advanced License

NOTE: For more information, see: <http://www.hp.com/go/lo100>

Core Server Management **ProLiant 100 Series G6 Core Management Software**

HP provides management solutions that are designed to simplify a server's installation, configuration, and maintenance throughout the entire server lifecycle. This provides the customers with higher levels of operational efficiency and highly reliable systems.

While ProLiant 100 series G6 servers do not support the Insight Foundation Suite for ProLiant, they support a key subset of this important suite software tools and utilities which are very suitable for this class of server: SIM, SMH, agents, providers, and a SmartStart 'like' deployment CD called Easy Set-up which greatly simplifies server set-up. Additionally the DL100 and SL100 G6 models support the SmartStart Scripting Toolkit (SSSTK), an automated scalable deployment utility.

Information on core management supported on ProLiant 100 series G6 servers can be found at these URLs:

- Core Management: www.hp.com/go/coremanagement

HP ProLiant 100 series Easy Set-up CDs: www.hp.com/servers/easysetup

HP Systems Insight Manager

HP Systems Insight Manager (HP SIM) provides a unified, secure and extensible standards-based environment to centrally manage servers, storage and other infrastructure devices, (both HP and non-HP) across multiple operating system platforms.

Insight Management Agents

- HP Insight Management Agents and Insight Management Providers are available for HP Systems Insight Manager (SIM) Integration.

ProLiant 100-series G6 servers can use the same SNMP based Insight Management Agents supported by other ProLiant servers. As a result, administrators can use HP Systems Insight Manager (SIM) 5.3 and



QuickSpecs

HP ProLiant DL180 Generation 6 (G6)

Standard Features

greater to manage ProLiant 100-series G6 servers. Administrators can also use any other SNMP-based management tool. These agents are obtained as part of the ProLiant 100-series model-specific "Easy Set-up" CDs, or through: www.hp.com/servers/easyssetup

The following capabilities are enabled on the 100-series G6 servers by the SNMP agents:

- Health monitoring capabilities, including monitoring for drives, fans, network, power supplies, and temperature
- Alerting capabilities, including basic alert notification for Smart Array drive pre-failure only
- Performance monitoring capabilities providing information on processor, memory, disk free space, network utilization

NOTE: For additional information, please see: <http://www.hp.com/go/insight>

Easy Set-up CD

Easy Set-up CDs are available on all 100-series G6 servers and are also available as an ISO image web download. HP ProLiant Easy Set-up CDs provide easy, step-by-step, single and multi-server server utilities for the ProLiant 100-series G6 servers to streamline server setup for 100-series G6 servers. The user experience is consistent with SmartStart and offers the following capabilities:

- Boot environment and GUI
- Assisted Installation: Windows 2003 Server and Windows 2008 Server drivers
- Manual installation: Windows 2003 Server, Windows 2008 Server, and Linux drivers (specific OS support varies by server. Refer to each server's QuickSpecs for supported versions)
- HP Insight Diagnostics
- AutoRun
- Array Configuration Utility (ACU) has been combined with Array Diagnostics Utility (ADU) to offer both configuration of array controllers and storage devices and testing of array controller hardware
- SmartStart Scripting Toolkit (SSSTK) and Smart Components for software and drivers for DL100 and SL100 servers

NOTE: OS and SW available for Manual Installation are listed on each server's QuickSpecs.

SmartStart Scripting Toolkit (SSSTK)

The SmartStart Scripting Toolkit is a server deployment product that delivers an unattended automated installation for high-volume server deployments. The SmartStart Scripting Toolkit includes a set of utilities for configuring and deploying servers in a customized, predictable, and unattended manner. These utilities enable you to duplicate the configuration of a source server on target servers with minimum user interaction.

The Toolkit is designed for IT experts with experience in scripting operating system installations and configuring ProLiant server hardware.

NOTE: For additional information, please see: <http://h18004.www1.hp.com/products/servers/management/toolkit/index.html>



QuickSpecs

HP ProLiant DL180 Generation 6 (G6)

Standard Features

Subscriber's Choice

Subscriber's Choice Driver and Support Alerts/Notifications is a web-based email subscription service that provides software and driver change notifications for ProLiant products. Sign up at:

<http://www.hp.com/go/subscriberschoice>

and customize your profile to receive various new alerts as they become available, on a weekly or monthly basis.

ROMPak, software and latest drivers

The latest software, drivers, and firmware fully optimized and tested for your ProLiant server and options; downloaded from Software and Drivers download pages website at: <http://www.hp.com/go/support> and from www.hp.com/servers/easysetup. Contains the following:

- HP Insight Management Agents for Systems Insight Manager (SIM) Integration
- HP Systems Management Homepage
- Array Configuration Utility (ACU)
- Array Diagnostics Utility (ADU)
- HP Insight Diagnostics

Security

Power-on password
Setup password
Diskette boot control
Secure Sockets Layer (SSL)
Secure Shell (SSH)

Warranty

This product is covered by a global limited warranty and supported by HP Services and a worldwide network of HP Authorized Channel Partners. Hardware diagnostic support and parts replacement is available for three years from date of purchase. Support for software and initial setup is available for 90 days from date of purchase. Enhancements to warranty services are available through HP Care Pack services or customized service agreements. Hard drives have either a one year or three year warranty; refer to the specific hard drive QuickSpecs for details.

NOTE: Server Warranty includes 3-Years Next Business Day Parts replacement, 0-Years Labor, 0-Years Onsite support. Additional information regarding worldwide limited warranty and technical support is available at: <http://h18004.www1.hp.com/products/servers/platforms/warranty/index.html>

QuickSpecs

HP ProLiant DL180 Generation 6 (G6)

Optional Features

HP Insight Control management software

HP Insight Control for Linux

HP Insight Control for Linux, as a product option, delivers essential infrastructure management that can help save time and money by making it easy to deploy, monitor, remote control, and optimize your IT infrastructure through a single, simple management console. The Insight Control for Linux installs and license software modules that are integrated into HP System Insight Manager.

The HP Insight Control for Linux (IC-Linux) serves environments requiring a Linux-based management consoles. See www.hp.com/go/ic-linux

HP Insight Control include one year of 24 x 7 HP Software Technical Support and Update Service ensuring rapid access to HP support staff and proactive delivery of software updates. For more information about this service, please visit: <http://www.hp.com/services/insight>

Insight Control server deployment

HP Insight Control server deployment is a deployment solution for HP ProLiant and Integrity servers hosted on a Windows CMS. It automates the process of deploying and provisioning server software, enabling companies to quickly and easily adapt to changing business demands. Insight Control server deployment includes software optimizations for HP servers, including the HP scripting toolkits, configuration jobs for leading industry-standard operating systems, sample unattended files, and HP server support packs that include software drivers, management agents, and important documentation. Deploying servers can be accomplished either through imaging or through scripting.

Insight Control server deployment is hosted on a Windows server and is intended for heterogeneous environments deploying Windows, Linux, VMware ESX and Microsoft Hyper-V systems.

Insight Control server deployment includes one year of 24 x 7 HP Software Technical Support and Update Service ensuring rapid access to HP support staff and proactive delivery of software updates. For more information about this service, please visit: <http://www.hp.com/services/insight>.

QuickSpecs

HP ProLiant DL180 Generation 6 (G6)

Optional Features

High Performance Clusters	HP Cluster Platforms	HP Cluster Platforms are specifically engineered, factory-integrated large-scale ProLiant clusters optimized for High Performance Computing, with a choice of servers, networks and software. Operating system options include specially priced offerings for Red Hat Enterprise Linux and SUSE Linux Enterprise Server, as well as Microsoft Windows HPC Server. A Cluster Platform Configurator simplifies ordering. http://www.hp.com/go/clusters
	HP HPC Interconnects	High Performance Computing (HPC) interconnect technologies are available for this server as part of the HP Cluster Platform portfolio. These high-speed InfiniBand and Gigabit interconnects are fully supported by HP when integrated within an HP cluster. Flexible, validated solutions can be defined with the help of configuration tools. http://www.hp.com/techservers/clusters/ucp/index.html
	HP Cluster Management Utility	HP Cluster Management Utility (CMU) is an HP-licensed and HP-supported suite of tools that are used to manage large-scale Linux ProLiant systems. CMU includes software for the centralized provisioning, management and monitoring of nodes. CMU makes the administration of clusters user friendly, efficient, and effective. http://www.hp.com/go/cmu
	HP HPC Linux Value Pack	HP HPC Linux Value Pack (Value Pack) is an HP-licensed and HP-supported specially priced software bundle for the development and deployment of applications on HPC Cluster Platforms. Value Pack includes the Platform HPC Enterprise Edition suite of tools including the LSF workload scheduler, the HP-MPI parallelization library. Also included are the HP Unified Parallel C compiler and the HP Shmem library, as well as the execution environments for the libraries and compiler. HP HPC Linux Value Pack

Factory Express Portfolio for Servers and Storage HP Factory Express offers configuration, customization, integration and deployment services for HP servers and storage products. Customers can choose how their factory solutions are built, tested, integrated, shipped and deployed.

Factory Express offers service packages for simple configuration, racking, installation, complex configuration and design services as well as individual factory services, such as image loading, asset tagging, and custom packaging. HP products supported through Factory Express include a wide array of servers and storage: HP Integrity, HP ProLiant, HP ProLiant Server Blades, HP BladeSystem, HP 9000 servers as well as the MSAxxxx, VA7xxx, EVA, XP, rackable tape libraries and configurable network switches.

For more information on Factory Express services for your specific server model please contact your sales representative or go to: <http://www.hp.com/go/factory-express>.

HP Simple Configurator SCE is a guided self service tool to help sales and non technical people provide customers with initial configurations in 3 to 5 minutes. You may then send the configuration on for configuration help, or use in your existing ordering processes. If you require "custom" rack configuration or configuration for products not available in SCE, please contact HP's Customer Business Center or an Authorized Partner for assistance. <http://www.hp.com/products/configurator>

Service and Support

Service and Support

HP Technology Services for Industry Standard Servers and BladeSystem

Capitalizing on HP ProLiant server and HP BladeSystem capabilities requires a service partner who understands your increasingly complex business technology environment. That's why it makes sense to team up with the people who know HP infrastructure hardware and software best - the experienced professionals at HP Services.

What HP ProLiant and BladeSystem Services can do for you

HP ProLiant and BladeSystem Services can help you design, deploy, test, integrate, support, and manage IT and infrastructure solutions. This way, HP proposes services solutions that include more than just uplift of base warranty. You can get the support you need by choosing from one of a number of service packaged solutions we have designed to address wider set of customer support needs.

HP Technology Services meets business challenges with services offered in three packages:

Optimized Care Package, Standard Care Package, and Basic Care Package

Available for each product group. Such packaged solutions enable customers to optimize technology operations, minimize risk and drive better business outcomes with easy-to-buy, easy-to-use scalable support packages for servers, storage, networking and software.

Optimized Care Package Supports maintaining servers at optimum performance availability

HP ProLiant Server Hardware Installation

Provides for the basic hardware installation of HP branded servers, storage devices and networking options to assist you in bringing your new hardware into operation in a timely and professional manner.
<http://h20195.www2.hp.com/V2/GetPDF.aspx/5981-9356EN.pdf>

3-Year HP 6 hour Hardware Support Onsite Call-to-Repair Service

Provides an IT manager with a team of support specialists who will quickly begin troubleshooting the system to help return the hardware to operating condition within 6 hours of the initial service request to the HP Global Solution Center.

<http://h20195.www2.hp.com/V2/GetPDF.aspx/5982-6547EN.pdf>

Additional Services: Software OS (Microsoft, Linux (SUSE/Red Hat) Installation and Start Up and Software Support) plus Microsoft or Linux education courses +30 Proactive Select Credits, Factory Express.

QuickSpecs

HP ProLiant DL180 Generation 6 (G6)

Service and Support

Standard Care Package **Package that maintains high level of server availability**

HP ProLiant Server Hardware Installation

Provides for the basic hardware installation of HP branded servers, storage devices and networking options to assist you in bringing your new hardware into operation in a timely and professional manner.

<http://h20195.www2.hp.com/V2/GetPDF.aspx/5981-9356EN.pdf>

3-Year HP 24x7 4 hour Response, Hardware Support Onsite Service

Provides you with rapid remote support and if required an HP authorized representative who will arrive on site any time and day of the year to begin hardware maintenance service within 4 hours of the service request being logged.

<http://h20195.www2.hp.com/V2/GetPDF.aspx/5982-6547EEE.pdf>

Additional Services: Software OS (Microsoft, Linux (SUSE/Red Hat) Installation and Start Up and Software Support); +10 Proactive Select Credits, Factory Express.

Basic Care Package **Delivers minimum recommended support service level**

HP ProLiant Server Hardware Installation

Provides for the basic hardware installation of HP branded servers, storage devices and networking options to assist you in bringing your new hardware into operation in a timely and professional manner

<http://h20195.www2.hp.com/V2/GetPDF.aspx/5981-9356EN.pdf>

3-Year HP 13x5 4 hour Response, Hardware Support Onsite Service

Delivers increased equipment availability and productivity with rapid remote support and onsite response for your HP server and storage hardware

<http://h20195.www2.hp.com/V2/GetPDF.aspx/5982-6547EEE.pdf>

Additional Services: Software OS (Microsoft, Linux (SUSE/Red Hat) Installation and Start Up and Software Support), Factory Express.

Insight Remote Support The packages include HP Insight Remote Support that uses proven technology to deliver secure, reliable 24x7 remote monitoring, diagnoses, and problem resolution. It is available at no additional cost to all warranty, HP Care Pack Service, and service agreement customers.

For more information To learn more on HP ProLiant servers and HP BladeSystem servers, please contact your HP sales representative or HP Authorized Channel Partner. Or visit: <http://www.hp.com/services/proliant>

QuickSpecs

HP ProLiant DL180 Generation 6 (G6)

Pre-configured Models

Four Drive Serial ATA (SATA) Models

NOTE: For the Standard Features shipped in the "Factory Integrated Models", please see the "Configuration Information - Factory Integrated Models" section.

NOTE: Pre-configured models ship with the configurations below. Options can be selected from the Core or Additional options section of this QuickSpecs.

NOTE: HP does not allow factory integration of options into pre-configured models. Any additional options purchased will be shipped separately.

NOTE: If you desire a custom configuration please see "Configuration Information - Factory Integrated Models" section of this QuickSpecs.

NOTE: Not all models are available in all regions. Check with your local country HP offices for availability.

NOTE: Upgrading from 4 Non-Hot Plug SATA hard drives to 4 Hot Plug SATA/SAS hard drives requires the addition of a storage controller and one Internal mini-SAS cable (P/N 496013-B21).

NOTE: Upgrading to 8 Hot Plug SATA/SAS hard drives requires the addition of a HP 2U G6 8HDD LFF DL18X KIT (P/N 506924-B21), storage controller (Smart Array P410/256MB recommended), and two Internal SATA/SAS cables (mini-SAS cable (P/N 496013-B21)).

HP ProLiant DL180 G6 E5606 1P 4GB-R 460W PS Entry Server 635199-xx1	Processor	(1) Intel® Xeon® E5606 (2.13GHz/4-core/8MB/80W, DDR3-800) Processor
	Cache Memory	8MB shared L3 cache
	Memory	4GB PC3-10600R-9(RDIMM) NOTE: Total 12 DIMM slots
	Network Controller	HP NC362i Integrated Dual Port Gigabit Server Adapter
	Storage Controller	Embedded SATA Raid Standard RAID 0,1,10
	Hard Drive	None ship standard
	Internal Storage	12.0TB (4 x 3TB Hot Plug 3.5" SATA hard drives), Maximum 12.0TB (4 x 3TB Hot Plug 3.5" SAS hard drives), Maximum
	Optical Drive	None ship standard
	Power Supply	460W common slot, high efficiency power supply
	Form Factor	Rack (2U)
	Warranty	Server Warranty includes 3-Years Next Business Day Parts replacement, 0-Years Labor, 0-Years Onsite support

QuickSpecs

HP ProLiant DL180 Generation 6 (G6)

Pre-configured Models

Eight Drive Serial ATA (SATA) Models

NOTE: Supports up to 8 Hot Plug SATA or SAS Hard Drives.

<p>HP ProLiant DL180 G6 E5620 1P 8GB-R P410/256 BBWC 8 LFF 460W PS Server 590638-xx1</p>	<p>Processor</p> <p>Cache Memory</p> <p>Memory</p> <p>Network Controller</p> <p>Storage Controller</p> <p>Hard Drive</p> <p>Internal Storage</p> <p>Optical Drive</p> <p>Power Supply</p> <p>Form Factor</p> <p>Warranty</p>	<p>(1) Intel® Xeon® E5620 (2.40GHz/4-core/12MB/80W, DDR3-1066, HT, Turbo 1/1/2/2) Processor</p> <p>8MB shared L3 cache</p> <p>8GB (2 x 4GB) PC3-10600R-9 (RDIMM) NOTE: Total 12 DIMM slots</p> <p>HP NC362i Integrated Dual Port Gigabit Server Adapter</p> <p>HP Smart Array P410/256MB BBWC Controller (RAID 0/1/1+0/5/5+0) NOTE: Smart Array Advanced Pack License Key upgrade (P/N 516471-B21) is required to enable RAID 6, 6+0</p> <p>None ship standard</p> <p>24.0TB (8 x 3TB Hot Plug 3.5" SATA hard drives), Maximum 24.0TB (8 x 3TB Hot Plug 3.5" SAS hard drives), Maximum</p> <p>None ship standard</p> <p>460W common slot, high efficiency power supply</p> <p>Rack (2U)</p> <p>Server Warranty includes 3-Years Next Business Day Parts replacement, 0-Years Labor, 0-Years Onsite support</p>
---	---	--

<p>HP ProLiant DL180 G6 L5630 1P 4GB-L P410/256 8 LFF 460W PS Server 590636-xx1</p>	<p>Processor</p> <p>Cache Memory</p> <p>Memory</p> <p>Network Controller</p> <p>Storage Controller</p> <p>Hard Drive</p> <p>Internal Storage</p> <p>Optical Drive</p> <p>Power Supply</p> <p>Form Factor</p> <p>Warranty</p>	<p>(1) Intel® Xeon® L5630 (2.13GHz/4-core/12MB/40W, DDR3-1066, HT, Turbo 1/1/2/2) Processor</p> <p>12MB shared L3 cache</p> <p>4GB (1 x 4GB) PC3L-10600R-9 (RDIMM) NOTE: Total 12 DIMM slots</p> <p>HP NC362i Integrated Dual Port Gigabit Server Adapter</p> <p>HP Smart Array P410 /256MB Controller (RAID 0/1/1+0/5/5+0) NOTE: A minimum of 256 MB cache, battery kit, and Smart Array Advanced Pack License Key upgrade (P/N 516471-B21) is required to enable RAID 6, 6+0</p> <p>None ship standard</p> <p>24.0TB (8 x 3TB Hot Plug 3.5" SATA hard drives), Maximum 24.0TB (8 x 3TB Hot Plug 3.5" SAS hard drives), Maximum</p> <p>None ship standard</p> <p>460W common slot, high efficiency Platinum power supply</p> <p>Rack (2U)</p> <p>Server Warranty includes 3-Years Next Business Day Parts replacement, 0-Years Labor, 0-Years Onsite support</p>
--	---	---



QuickSpecs

HP ProLiant DL180 Generation 6 (G6)

Pre-configured Models

Twelve Drive Serial ATA (SATA) Models

NOTE: Internal Storage expandable to 14 SAS/SATA drives with 2 Rear Drive Option Kit (P/N 488234-B21)

HP ProLiant DL180 G6 E5620 1P 8GB-R P212/256 BBWC 12 LFF 750W PS Server 590639-xx1	Processor	(1) Intel® Xeon® E5620 (2.40GHz/4-core/12MB/80W, DDR3-1066, HT, Turbo 1/1/2/2) Processor
	Cache Memory	12MB shared L3 cache
	Memory	8GB (2 x 4GB) PC3-10600R-9 (RDIMM) NOTE: Total 12 DIMM slots
	Network Controller	HP NC362i Integrated Dual Port Gigabit Server Adapter
	Storage Controller	HP Smart Array P212 /256MB BBWC Controller (RAID 0/1/1+0/5/5+0) NOTE: Smart Array Advanced Pack License Key upgrade (P/N 516471-B21) is required to enable RAID 6, 6+0
	Hard Drive	None ship standard (up to 12 Hot Plug SATA or SAS drives supported)
	Internal Storage	42.0TB (14 x 3TB Hot Plug 3.5" SATA hard drives), Maximum 42.0TB (14 x 3TB Hot Plug 3.5" SAS hard drives), Maximum NOTE: Internal Storage expandable to 14 SAS/SATA drives with 2 Rear Drive Option Kit (P/N 488234-B21)
	Optical Drive	None ship standard
	Power Supply	750W common slot, high efficiency power supply
	Form Factor	Rack (2U)
	Warranty	Server Warranty includes 3-Years Next Business Day Parts replacement, 0-Years Labor, 0-Years Onsite support

Twenty Five Drive SAS Models

HP ProLiant DL180 G6 E5645 2P 16GB-R 750W RPS Perf Server 635200-xx1	Processor	(2) Intel® Xeon® E5645 (2.40GHz/6-core/12MB/80W, DDR3-1333, HT, Turbo 1/1/1/1/2/2) Processor
	Cache Memory	12MB shared L3 cache
	Memory	16GB (4 x 4GB) PC3-10600R-9 (RDIMM) NOTE: Total 12 DIMM slots
	Network Controller	HP NC362i Integrated Dual Port Gigabit Server Adapter
	Storage Controller	HP Smart Array P410/512MB FBWC Controller (RAID 0/1/1+0/5/5+0) NOTE: Smart Array Advanced Pack License Key upgrade (P/N 516471-B21) is required to enable RAID 6, 6+0
	Hard Drive	None Ship Standard
	Internal Storage	25.0TB (25 x 1.0TB Hot Plug 2.5" SATA hard drives), Maximum 25.0TB (25 x 1.0TB Hot Plug 2.5" SAS hard drives), Maximum 20.0TB (25 x 800GB Hot Plug 2.5" SAS SSD), Maximum 10.0TB (25 x 400GB Hot Plug 2.5" SATA SSD), Maximum
	Optical Drive	None ship standard
	Power Supply	(2)750 W common slot, redundant power supply
	Form Factor	Rack (2U)
	Warranty	Server Warranty includes 3-Years Next Business Day Parts replacement, 0-Years Labor, 0-Years Onsite support



QuickSpecs

HP ProLiant DL180 Generation 6 (G6)

Pre-configured Models

HP ProLiant DL180 G6 X5650 2P 16GB-R P410/256 BBWC 25 SFF 750W PS Server 590640-xx1	Processor	(2) Intel® Xeon® X5650 (2.66GHz/6-core/12MB/95W, DDR3-1333, HT, Turbo 2/2/3/3)
	Cache Memory	12MB shared L3 cache
	Memory	16GB (4 x 4GB) PC3-10600R-9 (RDIMM) NOTE: Total 12 DIMM slots
	Network Controller	HP NC362i Integrated Dual Port Gigabit Server Adapter
	Storage Controller	HP Smart Array P410/256MB BBWC Controller (RAID 0/1/1+0/5/5+0) NOTE: Smart Array Advanced Pack License Key upgrade (P/N 516471-B21) is required to enable RAID 6, 6+0
	Hard Drive	None Ship Standard
	Internal Storage	25.0TB (25 x 1.0TB Hot Plug 2.5" SATA hard drives), Maximum 25.0TB (25 x 1.0TB Hot Plug 2.5" SAS hard drives), Maximum 20.0TB (25 x 800GB Hot Plug 2.5" SAS SSD), Maximum 10.0TB (25 x 400GB Hot Plug 2.5" SATA SSD), Maximum
	Optical Drive	None ship standard
	Power Supply	750 W common slot ,power supply
	Form Factor	Rack (2U)
Warranty	Server Warranty includes 3-Years Next Business Day Parts replacement, 0-Years Labor, 0-Years Onsite support	

Country Code Key	xx=00	U.S.
	xx=29	Japan
	xx=37	APD
	xx=42	Europe
	xx=AA	PRC

Configuration Information - Factory Integrated Models

NOTE: This section lists some of the steps required to configure a Factory Integrated Model. To ensure only valid configurations are ordered, HP recommends the use of an HP approved configurator. Contact your local sales representative for information on CTO product offerings and requirements.

NOTE: Configure-to-order (CTO) servers must start with a CTO Chassis.

NOTE: FIO indicates that this option is only available as a factory installable option.

Step 1: Base Configuration (choose one of the following configurable models)

Hot Plug LFF Models

HP ProLiant DL180 G6 Configure-to-order Rack Server 507168-B21

Factory Integrated Model ships with:

HP NC362i Integrated Dual Port Gigabit Server Adapter

Three available PCI-Express slots:

Slot 1: x16 low-profile/half-height slot

Optional Slots 2, 3, & 4: 2x8 full-height/full length, 1x4 full-height/full length (Recommended)

NOTE: Optional PCI-X option kit includes: Slot 1 and 2: full-length/full-height PCI-X 100. PCI-X slots are 64 bits; 133 MHz capable if only one PCI-X card is installed in the server.

NOTE: Optional FL/FH option kit includes: Slot 1: full length/full height slot.

One HP SATA Embedded Cable Kit

One Highline IEC Power Cord

4 Non-Hot Plug Fans

Rack (2U), (3.5 in/8.89 cm)

Tool-less Fixed Rails

Hot Plug SFF Models

HP ProLiant DL180 G6 SFF Configure-to-order Server 594911-B21

Factory Integrated Model ships with:

HP NC362i Integrated Dual Port Gigabit Server Adapter

Three available PCI-Express slots:

Slot 1: x16 low-profile/half-height slot

Optional Slots 2, 3, & 4: 2x8 full-height/full length, 1x4 full-height/full length (Recommended)

NOTE: Optional PCI-X option kit includes: Slot 1 and 2: full-length/full-height PCI-X 100. PCI-X slots are 64 bits; 133 MHz capable if only one PCI-X card is installed in the server.

NOTE: Optional FL/FH option kit includes: Slot 1: full length/full height slot.

One HP SATA Embedded Cable Kit

One Highline IEC Power Cord

4 Non-Hot Plug Fans

Rack (2U), (3.5 in/8.89 cm)

QuickSpecs

HP ProLiant DL180 Generation 6 (G6)

Configuration Information - Factory Integrated Models

Step 2: Choose Required Options (only one of the following from each list unless otherwise noted)

HP Processors

NOTE: If 2 processors are desired, select one xxxxxx-L21 and one xxxxxxB21.

Six-Core Processors

HP DL180 G6 Intel® Xeon® X5675 (3.06GHz/6-core/12MB/95W) FIO Processor Kit	636204-L21
HP DL180 G6 Intel® Xeon® X5660 (2.80GHz/6-core/12MB/95W) FIO Processor Kit	590617-L21
HP DL180 G6 Intel® Xeon® X5650 (2.66GHz/6-core/12MB/95W) FIO Processor Kit	590615-L21
HP DL180 G6 Intel® Xeon® E5649 (2.53GHz/6-core/12MB/80W) FIO Processor Kit	636205-L21
HP DL180 G6 Intel® Xeon® E5645 (2.40GHz/6-core/12MB/80W) FIO Processor Kit	636206-L21
HP DL180 G6 Intel® Xeon® L5640 (2.26GHz/6-core/12MB/60W) FIO Processor Kit	590607-L21

Quad-Core Processors

HP DL180 G6 Intel® Xeon® X5672 (3.20GHz/4-core/12MB/95W) FIO Processor Kit	635692-L21
HP DL180 G6 Intel® Xeon® E5620 (2.40GHz/4-core/12MB/80W) FIO Processor Kit	590609-L21
HP DL180 G6 Intel® Xeon® E5606 (2.13GHz/4-core/8MB/80W) FIO Processor Kit	635583-L21
HP DL180 G6 Intel® Xeon® E5603 (1.60GHz/4-core/4MB/80W) FIO Processor Kit	636207-L21
HP DL180 G6 Intel® Xeon® L5630 (2.13GHz/4-core/12MB/40W) FIO Processor Kit	590605-L21

HP Memory

Registered RDIMMs

HP 2GB (1x2GB) Dual Rank x8 PC3-10600 (DDR3-1333) Registered CAS-9 Memory Kit	500656-B21
HP 4GB (1x4GB) Dual Rank x4 PC3-10600 (DDR3-1333) Registered CAS-9 Memory Kit	500658-B21
HP 4GB (1x4GB) Single Rank x4 PC3L-10600 (DDR3-1333) Registered CAS-9 Low Power Memory Kit	604504-B21
HP 4GB (1x4GB) Single Rank x4 PC3-10600 (DDR3-1333) Registered CAS-9 Memory Kit	593339-B21
HP 8GB (1x8GB) Dual Rank x4 PC3L-10600 (DDR3-1333) Registered CAS-9 Low Power Memory Kit	604506-B21
HP 16GB (1x16GB) Quad Rank x4 PC3-8500 (DDR3-1066) Registered CAS-7 Memory Kit	500666-B21
HP 16GB (1x16GB) Dual Rank x4 PC3L-10600 (DDR3-1333) Registered CAS-9 LP Memory Kit	627812-B21

Unregistered with ECC UDIMMs

HP 1GB (1x1GB) Single Rank x8 PC3-10600 (DDR3-1333) Unbuffered CAS-9 Memory Kit	500668-B21
HP 2GB (1x2GB) Dual Rank x8 PC3-10600 (DDR3-1333) Unbuffered CAS-9 Memory Kit	500670-B21
HP 4GB (1x4GB) Dual Rank x8 PC3-10600 (DDR3-1333) Unbuffered CAS-9 Memory Kit	500672-B21
HP 4GB (1x4GB) Dual Rank x8 PC3L-10600 (DDR3-1333) Unbuffered CAS-9 Low Power Memory Kit	619488-B21

NOTE: All DDR3 memory option kits consist of one DIMM per kit. For detailed memory configuration rules and guidelines, please use the Online DDR3 Memory Configuration Tool: www.hp.com/go/ddr3memory-configurator.

NOTE: Kits described as LP include Low Power DIMMs. For more information on ProLiant Energy Efficient Features, see:

<http://h18004.www1.hp.com/products/servers/platforms/energyefficient/>

NOTE: There is a maximum support limitation of 8 ranks per memory channel (maximum of 2 quad rank DIMMs per channel)



QuickSpecs

HP ProLiant DL180 Generation 6 (G6)

Configuration Information - Factory Integrated Models

HP Drive Cage Options	HP 2U G6 4HDD CAGE Kit, FIO	506926-B21
	HP 2U G6 8HDD CAGE Kit, FIO	506927-B21
	HP 2U G6 12HDD CAGE Kit, FIO	506928-B21
	HP 2U 8SFF HDD CAGE & BKPLN G6 FIO	534958-B21
	HP 2U G6 25 SFF CAGE FIO Kit	516011-B21
	NOTE: Selection of the 12 LFF or 25 SFF drive cage requires an HP Smart Array P212, P410 (any except Zero Memory) or P812 controller.	
	HP DL180 G6 Rear 2 Large Form Factor Drive Kit	488234-B21

HP Power Supplies	NOTE: Many HP ProLiant Servers now offer new power options, including Common Slot Power Supplies. These power supplies come in multiple power ratings and higher efficiency levels to offer the Right Size solution to fit your configuration. This provides improved power delivery and the advantage of reclaiming lost power. Prior to making a power supply selection it is "highly recommended" that the "HP Power Advisor" is run to determine the right size power supply for your server configuration. The HP Power Advisor is located at: www.hp.com/go/proliant-energy-efficient	
	HP 460W Common Slot Gold Hot Plug Power Supply Kit	503296-B21
	HP 750W Common Slot Gold Hot Plug Power Supply Kit	512327-B21
	HP 460W Common Slot Platinum Hot Plug Power Supply Kit	593188-B21
	HP 750W Common Slot Platinum Hot Plug Power Supply Kit	593831-B21
	HP 1200W Common Slot -48VDC Hot Plug Power Supply Kit	437573-B21
	CAUTION: Optional Power Supplies used for Redundancy "MUST" match the original supplied power supply. Upgrades for more power headroom, when replacing the original power supplies must match if purchased for redundancy. Option Kits contain optional power supply, an IEC power cable and PDU IEC cables. In ProLiant Servers that have more than one power slot (bay), same size power supplies are recommended. If non-matched power supplies are inserted you will get errors and operation will fail.	

Step 3: Choose Additional Factory Integratable Options (only one from each list unless otherwise noted)

HP Storage Controller	HP Smart Array P410/ZM 2-ports Int PCIe x8 FIO SAS Controller	462860-B21
	HP Smart Array P411/256 BBWC 2-ports Ext PCIe x8 FIO SAS Controller	491193-B21
	HP Smart Array P410/256 BBWC 2-ports Int PCIe x8 FIO SAS Controller	491195-B21
	HP Smart Array P212/256 BBWC 1-ports Int/1-ports Ext PCIe x8 FIO SAS Controller	491191-B21

Step 4: Choose Additional Options for Factory Integration

NOTE: For additional options, please refer to the "Core Options" and "Additional Options" sections below.



QuickSpecs

HP ProLiant DL180 Generation 6 (G6)

Core Options

NOTE: Some options may not be integrated at the factory. To ensure only valid configurations are ordered, HP recommends the use of an HP approved configurator. Contact your local sales representative for additional information.

HP Unique Options	HP DL180 G6 Redundant Fan Kit	516009-B21
	HP DL180 G6 Rear DVD Cage Kit	515826-B21
	NOTE: The x16 low profile slot is not available when this option is configured.	
	HP Dedicated Management Port Kit	516006-B21
	HP Internal USB Cable G6 Kit	536769-B21
	NOTE: This option required to connect a USB device internally.	
	HP DL180 G6 3 Slot x8 Full Height PCI-E Riser Kit	577668-B21
	NOTE: This option provides two x8 full-length/full-height slots as well as an additional x8 (x4 electrically) slot. This allows the DL180G6 to have a maximum of four (4) slots.	
	HP DL180 G6 PCI-X Full Riser Kit	488230-B21
	NOTE: This option kit replaces the three internal expansion slots listed in step 1 base configuration.	
	NOTE: Optional PCI-X option kit includes: Slot 1: full-length/full-height PCI-X 100; Slot 2: Full length/Full-height PCI-X 100. PCI-X slots are 64 bits; 133 MHz capable if only one PCI-X card is installed in the server.	
	HP DL180 G6 2U 8 Hard Drive Large Form Factor Drive Kit	506924-B21
	NOTE: Upgrading to 8 Hot Plug SATA/SAS hard drives requires the addition of a storage controller (Smart Array P410/256MB recommended), two Internal ATA/SAS cables, (mini-SAS cable (496013-B21).	
	HP DL180 G6 Rear 2 Large Form Factor Drive Kit	488234-B21
	NOTE: Supports 12 hard drive server models only. Hard Drives not included.	
	NOTE: This option replaces the 2 Full Length, Full Height x8 PCIe slots.	
	HP DL180 G6 2PCI-E x8 Full Height Upgradeable Option Kit	497145-B21
	NOTE: This option provides 2 Full Length, Full Height x8 PCIe slots.	
	HP DL180 G6 PCI-E x16 Upgradeable Option Kit	497143-B21
	NOTE: This option replaces the 2 Full Length, Full Height x8 PCIe slots.	

HP Processors

Six-Core Processors

HP DL180 G6 Intel® Xeon® X5675 (3.06GHz/6-core/12MB/95W) Processor Kit	636204-B21
HP DL180 G6 Intel® Xeon® X5660 (2.80GHz/6-core/12MB/95W) Processor Kit	590617-B21
HP DL180 G6 Intel® Xeon® X5650 (2.66GHz/6-core/12MB/95W) Processor Kit	590615-B21
HP DL180 G6 Intel® Xeon® E5649 (2.53GHz/6-core/12MB/80W) Processor Kit	636205-B21
HP DL180 G6 Intel® Xeon® E5645 (2.40GHz/6-core/12MB/80W) Processor Kit	636206-B21
HP DL180 G6 Intel® Xeon® L5640 (2.26GHz/6-core/12MB/60W) Processor Kit	590607-B21

Quad-Core Processors

HP DL180 G6 Intel® Xeon® X5672 (3.20GHz/4-core/12MB/95W) Processor Kit	635692-B21
HP DL180 G6 Intel® Xeon® E5620 (2.40GHz/4-core/12MB/80W) Processor Kit	590609-B21
HP DL180 G6 Intel® Xeon® E5606 (2.13GHz/4-core/8MB/80W) Processor Kit	635583-B21
HP DL180 G6 Intel® Xeon® E5603 (1.60GHz/4-core/4MB/80W) Processor Kit	636207-B21
HP DL180 G6 Intel® Xeon® L5630 (2.13GHz/4-core/12MB/40W) Processor Kit	590605-B21
HP DL180 G6 Intel® Xeon® E5540 (2.53GHz/4-core/8MB/80W) Processor Kit	508343-B21



QuickSpecs

HP ProLiant DL180 Generation 6 (G6)

Core Options

HP DL180 G6 Intel® Xeon® E5520 (2.26GHz/4-core/8MB/80W) Processor Kit 508342-B21

NOTE: HT indicates that the processor model supports Intel® Hyper-Threading Technology.

NOTE: Turbo indicates the maximum potential frequency increment when using Intel® Turbo Boost Technology, with 4, 3, 2, and 1 cores active.

NOTE: DDR3 speed is the maximum memory speed of the processor. Actual memory speed may depend on the quantity and type of DIMMs installed.

NOTE: For the Intel 5000 Series, the letter preceding the model number indicates the performance/wattage of the processor. "X" denotes High Performance/Wattage; "E" denotes Enterprise Performance/Wattage (Mainstream); and "L" denotes Lower Wattage.

HP Memory

Registered RDIMMs

HP 2GB (1x2GB) Dual Rank x8 PC3-10600 (DDR3-1333) Registered CAS-9 Memory Kit 500656-B21

HP 4GB (1x4GB) Dual Rank x4 PC3-10600 (DDR3-1333) Registered CAS-9 Memory Kit 500658-B21

HP 4GB (1x4GB) Single Rank x4 PC3-10600 (DDR3-1333) Registered CAS-9 Memory Kit 593339-B21

HP 16GB (1x16GB) Quad Rank x4 PC3-8500 (DDR3-1066) Registered CAS-7 Memory Kit 500666-B21

HP 4GB (1x4GB) Single Rank x4 PC3L-10600 (DDR3-1333) Registered CAS-9 Low Power Memory Kit 604504-B21

HP 8GB (1x8GB) Dual Rank x4 PC3L-10600 (DDR3-1333) Registered CAS-9 Low Power Memory Kit 604506-B21

HP 8GB (1x8GB) Dual Rank x4 PC3-10600 (DDR3-1333) Registered CAS-9 Memory Kit 500662-B21

HP 16GB (1x16GB) Dual Rank x4 PC3L-10600 (DDR3-1333) Registered CAS-9 LP Memory Kit 627812-B21

Unregistered with ECC UDIMMs

HP 1GB (1x1GB) Single Rank x8 PC3-10600 (DDR3-1333) Unbuffered CAS-9 Memory Kit 500668-B21

HP 2GB (1x2GB) Dual Rank x8 PC3-10600 (DDR3-1333) Unbuffered CAS-9 Memory Kit 500670-B21

HP 4GB (1x4GB) Dual Rank x8 PC3-10600 (DDR3-1333) Unbuffered CAS-9 Memory Kit 500672-B21

HP 4GB (1x4GB) Dual Rank x8 PC3L-10600 (DDR3-1333) Unbuffered CAS-9 Low Power Memory Kit 619488-B21

NOTE: All DDR3 memory option kits consist of one DIMM per kit. For detailed memory configuration rules and guidelines, please use the Online DDR3 Memory Configuration Tool: www.hp.com/go/ddr3memory-configurator

NOTE: Kits described as LP include Low Power DIMMs. For more information on ProLiant Energy Efficient Features, see:

<http://h18004.www1.hp.com/products/servers/platforms/energyefficient/>

HP Optical Drives

HP Slim 12.7mm SATA DVD-ROM Optical Drive 481041-B21

HP Slim 12.7mm SATA DVD-RW Optical Drive 481043-B21

NOTE: Optical drives can be installed in front, on 4 & 8 bay hard drive models.

NOTE: Optical drives can be installed in 12 and 25 drive model with the addition of rear option kit (P/N 515826-B21).



QuickSpecs

HP ProLiant DL180 Generation 6 (G6)

Core Options

HP Hard Drives

NOTE: The components of a storage subsystem (e.g. the drive, the HBA/controller, and the server backplane) should operate at the same data transfer rate or the system bandwidth will be negotiated down to an acceptable level for all components.

NOTE: Hard drives have either a one year or three year warranty; refer to the specific hard drive QuickSpecs for details.

NOTE: HP Smart Array B110i does not support greater than 2TB hard drive.

SATA Hot Plug SFF (2.5-inch) Midline (MDL) Drives

HP 1TB 3G SATA 7.2K rpm SFF (2.5-inch) Hot Plug Midline 1yr Warranty Hard Drive 625609-B21

HP 500GB 3G SATA 7.2K rpm SFF (2.5-inch) Midline 1yr Warranty Hard Drive 507750-B21

SATA Hot Plug LFF (3.5-inch) Midline (MDL) Drives

HP 3TB 3G SATA 7.2K rpm LFF (3.5-inch) Midline 1yr Warranty Hard Drive 628059-B21

HP 2TB 3G SATA 7.2K rpm LFF (3.5-inch) Midline 1yr Warranty Hard Drive 507632-B21

HP 1TB 3G SATA 7.2K rpm LFF (3.5-inch) Midline 1yr Warranty Hard Drive 454146-B21

HP 500GB 3G SATA 7.2K rpm LFF (3.5-inch) Midline 1yr Warranty Hard Drive 458928-B21

SATA Hot Plug LFF (3.5-inch) Entry (ETY) Drives

HP 250GB 3G SATA 7.2K rpm LFF (3.5-inch) Entry 1yr Warranty Hard Drive 571230-B21

NOTE: Please see the QuickSpecs for Technical Specifications and additional specifications:

http://h18000.www1.hp.com/products/quickspecs/13021_div/13021_div.html
(Worldwide)

SATA Hot Plug 2.5" Enterprise Mainstream Solid State Drives

HP 400GB 3G SATA MLC SFF (2.5-inch) Enterprise Mainstream 3yr Warranty Solid State Drive 636597-B21

HP 200GB 3G SATA MLC SFF (2.5-inch) Enterprise Mainstream 3yr Warranty Solid State Drive 636595-B21

HP 100GB 3G SATA MLC SFF (2.5-inch) Enterprise Mainstream 3yr Warranty Solid State Drive 636593-B21

SATA Hot Plug 3.5" Midline (MDL) Solid State Drives

HP 400GB 3G SATA MLC LFF (3.5-inch) Enterprise Mainstream 3yr Warranty Solid State Drive 636611-B21

HP 200GB 3G SATA MLC LFF (3.5-inch) Enterprise Mainstream 3yr Warranty Solid State Drive 636609-B21

HP 100GB 3G SATA MLC LFF (3.5-inch) Enterprise Mainstream 3yr Warranty Solid State Drive 636607-B21

NOTE: Please see the QuickSpecs for Technical Specifications and additional information:

http://h18000.www1.hp.com/products/quickspecs/14038_div/14038_div.html
(Worldwide)

SAS Hot Plug SFF (2.5-inch) Enterprise (ENT) Drives

HP 900GB 6G SAS 10K rpm SFF (2.5-inch) Dual Port Enterprise 3yr Warranty Hard Drive 619291-B21

HP 600GB 6G SAS 10K rpm SFF (2.5-inch) Dual Port Enterprise 3yr Warranty Hard Drive 581286-B21

HP 450GB 6G SAS 10K rpm SFF (2.5-inch) Dual Port Enterprise 3yr Warranty Hard Drive 581284-B21

HP 300GB 6G SAS 15K rpm SFF (2.5-inch) Hot Plug Enterprise 3 yr Warranty Hard Drive 627117-B21

HP 300GB 6G SAS 10K rpm SFF (2.5-inch) Dual Port Enterprise 3yr Warranty Hard Drive 507127-B21



QuickSpecs

HP ProLiant DL180 Generation 6 (G6)

Core Options

HP 146GB 6G SAS 15K rpm SFF (2.5-inch) Dual Port Enterprise 3yr Warranty Hard Drive 512547-B21

SAS Hot Plug LFF (3.5-inch) Enterprise (ENT) Drives

NOTE: 3G Hard Drives will operate at up to 3.0 Gb/s in 4 drive models that use the embedded controller.

HP 600GB 6G SAS 15K rpm LFF (3.5-inch) Dual Port Enterprise 3yr Warranty Hard Drive 516828-B21

HP 450GB 6G SAS 15K rpm LFF (3.5-inch) Dual Port Enterprise 3yr Warranty Hard Drive 516816-B21

HP 300GB 6G SAS 15K rpm LFF (3.5-inch) Dual Port Enterprise 3yr Warranty Hard Drive 516814-B21

SAS Hot Plug SFF (2.5-inch) Midline (MDL) Drives

HP 1TB 6G SAS 7.2K rpm SFF (2.5-inch) Dual Port Midline 1yr Warranty Hard Drive 605835-B21

HP 500GB 6G SAS 7.2K rpm SFF (2.5-inch) Dual Port Midline 1yr Warranty Hard Drive 507610-B21

SAS Hot Plug LFF (3.5-inch) Midline (MDL) Drives

NOTE: 3G Hard Drives will operate at up to 3.0 Gb/s in 4 drive models that use the embedded controller.

HP 3TB 6G SAS 7.2K rpm LFF (3.5-inch) Midline 1yr Warranty Hard Drive 625031-B21

HP 2TB 6G SAS 7.2K rpm LFF (3.5-inch) Dual Port Midline 1yr Warranty Hard Drive 507616-B21

HP 1TB 6G SAS 7.2K rpm LFF (3.5-inch) Dual Port Midline 1yr Warranty Hard Drive 507614-B21

NOTE: Please see the QuickSpecs for Technical Specifications and additional information:

http://h18000.www1.hp.com/products/quickspecs/12244_div/12244_div.html
(Worldwide)

6G SAS Hot Plug Enterprise Performance Solid State Drives

HP 400GB 6G SAS SLC SFF (2.5-inch) Enterprise Performance 3yr Warranty Solid State Drive 632494-B21

HP 200GB 6G SAS SLC SFF (2.5-inch) Enterprise Performance 3yr Warranty Solid State Drive 632492-B21

6G SAS Hot Plug Enterprise Mainstream Solid State Drives

HP 800GB 6G SAS MLC SFF (2.5-inch) Enterprise Mainstream 3yr Warranty Solid State Drive 632506-B21

HP 400GB 6G SAS MLC SFF (2.5-inch) Enterprise Mainstream 3yr Warranty Solid State Drive 632504-B21

HP 200GB 6G SAS MLC SFF (2.5-inch) Enterprise Mainstream 3yr Warranty Solid State Drive 632502-B21

NOTE: Please see the QuickSpecs for Technical Specifications and additional specifications:

http://h18000.www1.hp.com/products/quickspecs/14038_div/14038_div.html
(Worldwide)

SATA Hot Plug SFF (2.5-inch) Midline (MDL) Drives

HP 1TB 3G SATA 7.2K rpm SFF (2.5-inch) Hot Plug Midline 1yr Warranty Hard Drive 625609-B21

HP 500GB 3G SATA 7.2K rpm SFF (2.5-inch) Midline 1yr Warranty Hard Drive 507750-B21

SATA Hot Plug LFF (3.5-inch) Midline (MDL) Drives

HP 3TB 3G SATA 7.2K rpm LFF (3.5-inch) Midline 1yr Warranty Hard Drive 628059-B21

HP 2TB 3G SATA 7.2K rpm LFF (3.5-inch) Midline 1yr Warranty Hard Drive 507632-B21

HP 1TB 3G SATA 7.2K rpm LFF (3.5-inch) Midline 1yr Warranty Hard Drive 454146-B21

HP 500GB 3G SATA 7.2K rpm LFF (3.5-inch) Midline 1yr Warranty Hard Drive 458928-B21



QuickSpecs

HP ProLiant DL180 Generation 6 (G6)

Core Options

SATA Hot Plug LFF (3.5-inch) Entry (ETY) Drives

HP 250GB 3G SATA 7.2K rpm LFF (3.5-inch) Entry 1yr Warranty Hard Drive 571230-B21

NOTE: Please see the QuickSpecs for Technical Specifications and additional specifications:

http://h18000.www1.hp.com/products/quickspecs/13021_div/13021_div.html
(Worldwide)

SATA Hot Plug 2.5" Enterprise Mainstream Solid State Drives

HP 400GB 3G SATA MLC SFF (2.5-inch) Enterprise Mainstream 3yr Warranty Solid State Drive 636597-B21

HP 200GB 3G SATA MLC SFF (2.5-inch) Enterprise Mainstream 3yr Warranty Solid State Drive 636595-B21

HP 100GB 3G SATA MLC SFF (2.5-inch) Enterprise Mainstream 3yr Warranty Solid State Drive 636593-B21

SATA Hot Plug 3.5" Midline (MDL) Solid State Drives

HP 400GB 3G SATA MLC LFF (3.5-inch) Enterprise Mainstream 3yr Warranty Solid State Drive 636611-B21

HP 200GB 3G SATA MLC LFF (3.5-inch) Enterprise Mainstream 3yr Warranty Solid State Drive 636609-B21

HP 100GB 3G SATA MLC LFF (3.5-inch) Enterprise Mainstream 3yr Warranty Solid State Drive 636607-B21

NOTE: Please see the QuickSpecs for Technical Specifications and additional information:

http://h18000.www1.hp.com/products/quickspecs/14038_div/14038_div.html
(Worldwide)

HP Networking

Gigabit Ethernet Adapters

HP NC112T PCI Express Gigabit Server Adapter 503746-B21

HP NC360T PCI-E Dual Port Gigabit Server Adapter 412648-B21

HP NC364T PCI-E Quad Port Gigabit Server Adapter 435508-B21

NOTE: Does not support Windows 2000.

HP NC365T 4-port Ethernet Server Adapter 593722-B21

HP NC373F PCI-E Multifunction 1000SX Gigabit Svr Adapter 394793-B21

HP NC373T PCI-E Multifunction Gigabit Server Adapter 394791-B21

HP NC382T PCI Express Dual Port Multifunction Gigabit Server Adapter 458492-B21

10 Gigabit Ethernet Adapters

NOTE: No more than two 10GbE I/O devices are supported in a single ProLiant server.

NOTE: A minimum of two Gigabytes (2 GB) of server memory is required per each adapter.

NOTE: Direct Attach Cable (DAC) for copper environments or fiber transceivers and cables for fiber-optic environments must be purchased separately.

HP NC522SFP Dual Port 10GbE Gigabit Server Adapter 468332-B21

HP NC523SFP 10Gb 2-port Server Adapter 593717-B21

HP NC550SFP Dual Port 10GbE Server Adapter 581201-B21

HP NC552SFP 10Gb 2-port Ethernet Server Adapter 614203-B21



QuickSpecs

HP ProLiant DL180 Generation 6 (G6)

Core Options

NOTE: Please see the QuickSpecs for Technical Specifications and additional information: www.hp.com/go/ProLiantNICs.

HP InfiniBand

QLogic InfiniBand 4X QDR PCI-E G2 Dual Port HCA 583211-B21

HP InfiniBand 4X QDR ConnectX-2 PCIe G2 Dual Port HCA 592520-B21

HP InfiniBand 4X DDR ConnectX-2 PCIe G2 Dual Port HCA 592521-B21

NOTE: Please see the QuickSpecs for additional information:

http://h18000.www1.hp.com/products/quickspecs/13078_div/13078_div.html

QuickSpecs

HP ProLiant DL180 Generation 6 (G6)

Additional Options

NOTE: Some options may not be integrated at the factory. To ensure only valid configurations are ordered, HP recommends the use of an HP approved configurator. Contact your local sales representative for additional information.

HP Entry-Level Server Management HP Lights-Out 100i (LO100i) Advanced including 1yr 24x7 Support Single Server License 530521-B21
NOTE: For additional License Kits please see the Lights-Out 100i QuickSpecs at:
www.hp.com/go/lo100.

HP Insight Software	HP Insight Control	
	HP Insight Management Media Kit	436222-B21
	NOTE: HP Insight Management Media Kit contains DVDs without licenses. Contains HP Systems Insight Manager, HP Insight Control, HP Matrix Operating Environment, and Virtual Connect Enterprise Manager software. Uses an integrated installer to perform quick and accurate software installation and updates.	
	NOTE: For additional license kits please see the Insight Control QuickSpecs at: http://h18004.www1.hp.com/products/quickspecs/12631_div/12631_div.html	
	HP Insight Control for Linux	
	HP Insight Control for Linux including 1yr 24x7 Support Electronic License	TC213AAE
	NOTE: This part number can be purchased as a single license or as multiple licenses with a single activation key. Customer will receive a license entitlement certificate via e-mail. The license entitlement certificate must be redeemed online or via fax in order to obtain the license activation key(s). Includes one year of 24 x 7 HP Software Technical Support and Update Service.	
	NOTE: Electronic software is available in all countries except China and Japan. For China and Japan should order the physical equivalent.	
	HP Insight Control for Linux including 1yr 24x7 Support Single Server License	TC209A
	HP Insight Control for Linux Media Kit	TC208A
	NOTE: This optional Media pack DVD contains the ISO image for HP Insight Control for Linux, HP Systems Insight Manager, HP Insight Control power management, HP Insight Control virtual machine management, and an integrated installer. Servers must be acquired separately.	
	NOTE: This Media pack is optional because the latest ISO image and latest updates may be downloaded at no cost from: http://www.hp.com/go/ic-linux (click on Download button).	
	NOTE: Licenses ship without media. The Media Kit for Insight Control for Linux can be ordered separately, or can be downloaded at: http://www.hp.com/go/ic-linux (click on Download button).	
	NOTE: Electronic software is available in all countries except China and Japan. For China and Japan should order the physical equivalent.	
	NOTE: Customer will receive a license entitlement certificate, which must be redeemed online or via fax in order to obtain the license activation key(s). Includes one year of 24 x 7 HP Software Technical Support Service.	
	NOTE: For additional License Kits, including electronic licensing options, please see the QuickSpecs at: http://h18000.www1.hp.com/products/quickspecs/13019_div/13019_div.html	
	HP Insight Control server deployment	
	HP Insight Control Server Deployment including 1yr 24x7 Support Electronic License	T9082AAE
	HP Insight Control Server Deployment including 1yr 24x7 Support Single Server License	452151-B21



Additional Options

NOTE: Licenses ship without media. The Insight Control Media Kit can be ordered separately, or can be downloaded at: <http://www.hp.com/go/insightupdates>.

NOTE: Electronic software is available in all countries except China and Japan. For China and Japan should order the physical equivalent.

NOTE: Customer will receive a license entitlement certificate, which must be redeemed online or via fax in order to obtain the license activation key(s). Includes one year of 24 x 7 HP Software Technical Support Service.

NOTE: For additional license kits please see the Insight Control QuickSpecs at: http://h18004.www1.hp.com/products/quickspecs/12631_div/12631_div.html

High Performance Clusters

HP Cluster Management Utility

HP Cluster Management Utility Flexible License

QL803B

NOTE: This part number can be used to purchase one certificate for multiple licenses with a single activation key. Each license is for one node (server). Customer will receive a printed end user license agreement and license entitlement certificate via physical shipment. The license entitlement certificate must be redeemed online in order to obtain a license key.

HP Insight Cluster Management Utility Flexible License with 3 years of 24x7 updates and technical support

BD476A

NOTE: These part numbers can be used to purchase one certificate for multiple licenses and support with a single activation key. Each license is for one node (server). Customer will receive a printed end user license agreement and license entitlement certificate via physical shipment. The license entitlement certificate must be redeemed online in order to obtain a license key. Customer also will receive a support agreement.

HP Insight Cluster Management Utility Media

BD477A

NOTE: Order a minimum of one license per cluster to purchase media including software and documentation, which will be delivered to the customer, and also licenses Insight CMU management. No license key is delivered or required

NOTE: For additional license kits please see the QuickSpecs at:

http://h18004.www1.hp.com/products/quickspecs/12612_div/12612_div.html

HP HPC Linux Value Pack

HP High Performance Computing Linux Value Pack 1 Processor Flexible License

TC293B

NOTE: This part number can be used to purchase one certificate for multiple licenses with a single activation key. Each license is for one socket (a.k.a. processor). Customer will receive a printed end user license agreement and license entitlement certificate via physical shipment. The license entitlement certificate must be redeemed online in order to obtain a license key.

HP High Performance Computing Linux Value Pack Media Kit

TC294A

NOTE: This part number can be used to purchase media including software and documentation, which will be delivered to the customer.

NOTE: For additional license kits please see the QuickSpecs at:

http://h18004.www1.hp.com/products/quickspecs/13485_div/13485_div.html

QuickSpecs

HP ProLiant DL180 Generation 6 (G6)

Additional Options

HP I/O Accelerator Options

Second Generation Accelerators

HP 365GB Multi Level Cell G2 PCIe ioDrive2 for ProLiant Servers	673642-B21
HP 785GB Multi Level Cell G2 PCIe ioDrive2 for ProLiant Servers	673644-B21
HP 1205GB Multi Level Cell G2 PCIe ioDrive2 for ProLiant Servers	673646-B21

First Generation Accelerators

HP 160GB Single Level Cell PCIe ioDrive for ProLiant Servers	600278-B21
NOTE: A low-profile PCI bracket is included for use in low-profile slots.	
HP 320GB Multi Level Cell PCIe ioDrive for ProLiant Servers	600279-B21
NOTE: A low-profile PCI bracket is included for use in low-profile slots.	
HP 320GB Single Level Cell PCIe ioDrive Duo for ProLiant Servers	600281-B21
HP 640GB Multi Level Cell PCIe ioDrive Duo for ProLiant Servers	600282-B21
HP 1.28TB Multi Level Cell PCIe ioDrive Duo for ProLiant Servers	641027-B21

NOTE: For minimum system memory requirements please see the QuickSpecs referenced below.

NOTE: Please see the QuickSpecs for Technical Specifications and additional information:

http://h18000.www1.hp.com/products/quickspecs/13587_div/13587_div.html
(Worldwide)

HP Graphics Options

HP Graphic Card Power Adapter Kit	533955-B21
NOTE: The kit is applicable for 4LFF,8LFF and 8SFF cages .	
NOTE: The Graphic Power Adapter Kit can support up to 150 Watts.	

HP Security

HP Trusted Platform Module Option	488069-B21
NOTE: The TPM (Trusted Platform Module) is a microcontroller chip that can securely store artifacts used to authenticate the server platform. These artifacts can include passwords, certificates and encryption keys. Windows® BitLocker™ Drive Encryption (BitLocker) is a data protection feature available in Windows Server® 2008. BitLocker leverages the enhanced security capabilities of a Trusted Platform Module (TPM) version 1.2. The TPM works with BitLocker to help protect user data and to ensure that a server running Windows Server 2008 has not been tampered with while the system was offline.	
NOTE: For more information about TPM, including a white paper, go to www.hp.com/go/TPM	
NOTE: ProLiant OS pre-installed units will come with the partition required for TPM deployment.	
NOTE: The TPM key is unique to every TPM deployed server and must be retained. Misplacing or losing the key could result in data loss.	

HP Storage Controllers

SAS Controllers

HP Smart Array P212 Controller

HP Smart Array P212/ZM 1-ports Int/1-ports Ext PCIe x8 SAS Controller	462828-B21
HP Smart Array P212/256 1-ports Int/1-ports Ext PCIe x8 SAS Controller	462834-B21

HP Smart Array P410 Controller



QuickSpecs

HP ProLiant DL180 Generation 6 (G6)

Additional Options

HP Smart Array P410/256 2-ports Int PCIe x8 SAS Controller	462862-B21
HP Smart Array P410/512 BBWC 2-ports Int PCIe x8 SAS Controller	462864-B21
HP Smart Array P410/1G FBWC 2-ports Int PCIe x8 SAS Controller	572532-B21
HP Smart Array P410/512 FBWC 2-ports Int PCIe x8 SAS Controller	578230-B21
HP Smart Array P411 Controller	
HP Smart Array P411/256 2-ports Ext PCIe x8 SAS Controller	462830-B21
HP Smart Array P411/512 BBWC 2-ports Ext PCIe x8 SAS Controller	462832-B21
HP Smart Array P411/1G FBWC 2-ports Ext PCIe x8 SAS Controller	572531-B21
HP Smart Array P411/512 FBWC 2-ports Ext PCIe x8 SAS Controller	578229-B21
HP Smart Array P812 Controller	
HP Smart Array P812/1G FBWC 2-ports Int/4-ports Ext PCIe x8 SAS Controller	487204-B21
Optional Upgrades	
HP Mini SAS to Mini SAS 28in Cable Assembly	496013-B21
NOTE: Supports internal drives on the DL180 G6 with the Smart Array P800 Controller.	
HP 1GB Flash Backed Cache	534562-B21
HP 256MB P-series Cache Upgrade	462968-B21
NOTE: Supported on HP Smart Array P212 Controller only.	
HP 512MB Flash Backed Write Cache	534916-B21
HP 512MB P-Series Battery Backed Write Cache Upgrade	462967-B21
NOTE: Supported on HP Smart Array P410 Controller and HP Smart Array P411 Controller only.	
HP 650 mAh P-Series Battery	462969-B21
NOTE: To enable BBWC on the 256MB cache.	
NOTE: Supported on HP Smart Array P212 Controller, HP Smart Array P410 Controller, and HP Smart Array P411 Controller only.	
HP 8484 to Mini SAS 33in Cable Assembly	591734-B21
NOTE: Cable for use connecting the Smart Array P800 Controller to internal hard disk drives on select HP ProLiant G6 Servers.	
HP Smart Array Hot Plug Advance Pack for B110i w/1y 24x7 Supp Physical 1 Svr LTU	TC421A
HP Smart Array Advanced Pack including 1yr 24x7 Technical Support and Updates Single Server License	516471-B21
NOTE: This part number can be used to purchase a single license or to order multiple licenses with a single activation key. Customers will receive a license entitlement certificate via e-mail. The license entitlement certificate must be redeemed online or via fax in order to obtain the license activation key(s). Include one year of 24x7 HP Software Technical Support Services.	
NOTE: Please see the QuickSpecs for Technical Specifications and additional information:	
http://h18000.www1.hp.com/products/quickspecs/13203_div/13203_div.html (Smart Array P212 Controller)	
http://h18000.www1.hp.com/products/quickspecs/13201_div/13201_div.html (Smart Array P410 Controller)	
http://h18000.www1.hp.com/products/quickspecs/13202_div/13202_div.html (Smart Array P411 Controller)	

SAS HBA



QuickSpecs

HP ProLiant DL180 Generation 6 (G6)

Additional Options

NOTE: Please see the following QuickSpecs for Technical Specifications and additional information:

http://h18000.www1.hp.com/products/quickspecs/13203_div/13203_div.html

(Smart Array P212 Controller)

http://h18000.www1.hp.com/products/quickspecs/13201_div/13201_div.html

(Smart Array P410 Controller)

http://h18000.www1.hp.com/products/quickspecs/13202_div/13202_div.html

(Smart Array P411 Controller)

http://h18000.www1.hp.com/products/quickspecs/13558_div/13558_div.html

(Smart Array P812 Controller)

http://h18000.www1.hp.com/products/quickspecs/13200_div/13200_div.html

(Smart Array Advanced) Pack)

SCSI HBA

HP SC11Xe Ultra320 Single Channel/ PCIe x4 SCSI Host Bus Adapter

412911-B21

NOTE: Recommended HBA for SCSI tape drive connect.

NOTE: Please see the QuickSpecs for Technical Specifications and additional information:

http://h18000.www1.hp.com/products/quickspecs/12566_div/12566_div.html

(SCSI HBA)

HP Backup & Recovery Software

Data Protector Express

HP Data Protector Express V5.0 for 1 Server E-LTU

TC330AAE

HP Data Protector Express V5.0 for 3 Servers E-LTU

TC331AAE

HP Data Protector Express V5.0 for 10 Servers E-LTU

TC332AAE

HP Basic Upgrade to Data Protector Express V5 for 1 Server E-LTU

TC333AAE

NOTE: Only one of these Data Protector Express base products is required. To see available options: <http://www.hp.com/go/dataprotectorexpress>

HP Tape Backup

NOTE: For the complete range of tape drives, autoloaders, libraries and media see: <http://www.hp.com/go/tape>. For hardware and software compatibility of HP tape backup products see: <http://www.hp.com/storage/SPOCK>

HP DAT 160 SAS Internal Tape Drive

Q1587A

NOTE: For installation into 1U SAS Rack-Mount Kit (AE459B) or 3U SAS Rack-Mount Kit (AG576B). No peripheral bay available for installation into the server. Connection using the HP P212 SAS Smart Array Controller (462828-B21) is recommended.

HP DAT 320 SAS Internal Tape Drive

AJ830A

NOTE: For installation into 1U SAS Rack-Mount Kit (AE459B) or 3U SAS Rack-Mount Kit (AG576B). No peripheral bay available for installation into the server. Connection using the HP P212 SAS Smart Array Controller (462828-B21) is recommended.

HP Ultrium 448 SAS Internal Tape Drive

DW085B

NOTE: For installation into 1U SAS Rack-Mount Kit (AE459B) or 3U SAS Rack-Mount Kit (AG576B). No peripheral bay available for installation into the server. Connection using the HP P212 SAS Smart Array Controller (462828-B21) is recommended.



QuickSpecs

HP ProLiant DL180 Generation 6 (G6)

Additional Options

HP Ultrium 920 SAS Internal Tape Drive NOTE: For installation into 1U SAS Rack-Mount Kit (AE459B) or 3U SAS Rack-Mount Kit (AG576B). No peripheral bay available for installation into the server. Connection using the HP P212 SAS Smart Array Controller (462828-B21) is recommended.	EH847B
HP 1/8 G2 Ultrium 920 SAS Autoloader NOTE: Requires HP 1U Tape Autoloader Rack-Mount Kit (AH166A) for rack installation. Connection using the HP P212 SAS Smart Array Controller (462828-B21) is recommended.	AH558A
HP MSL2024 Ultrium 920 SAS Tape Library NOTE: Connection using the HP P212 SAS Smart Array Controller (462828-B21) is recommended.	AH559A

HP Disk Backup

NOTE: For the complete range of D2D Backup Systems see: <http://www.hp.com/go/d2d>. For the complete range of RDX drives and media see: <http://www.hp.com/go/rdx>. For hardware and software compatibility of HP disk backup products see: <http://www.hp.com/storage/SPOCK>

HP D2D Backup Systems with Backup Data Deduplication

HP D2D2502i Backup System NOTE: 1.5TB of usable network disk backup capacity. Network connected appliance with connectivity using the iSCSI protocol. If the server requires a hardware iSCSI initiator, the QLogic QLA4050 Host Bus Adapter is recommended.	EJ001C
--	--------

HP D2D2504i Backup System NOTE: 3.0TB of usable network disk backup capacity. Network connected appliance with connectivity using the iSCSI protocol. If the server requires a hardware iSCSI initiator, the QLogic QLA4050 Host Bus Adapter is recommended.	EJ002C
--	--------

USB Removable Media RDX Disk Backup Systems

HP RDX320 Internal Removable Disk Backup System NOTE: For installation into 1U USB Rack-Mount Kit (A8007A). No peripheral bay available for drive installation into the server. 320GB of disk capacity per data cartridge.	AJ767A
--	--------

HP RDX500 Internal Removable Disk Backup System NOTE: For installation into 1U USB Rack-Mount Kit (A8007A). No peripheral bay available for drive installation into the server. 500GB of disk capacity per data cartridge.	AJ934A
--	--------

QuickSpecs

HP ProLiant DL180 Generation 6 (G6)

Additional Options

HP Storage Options

Fibre Channel HBA

NOTE: The following is a list of all Fibre Channel Host Bus Adapters for Windows and Linux. For detailed compatibility information please see: <http://h18006.www1.hp.com/storage/saninfrastructure/hba.html>.

Brocade Fibre Channel HBAs

HP 81B 8Gb 1-port PCIe Fibre Channel Host Bus Adapter	AP769B
HP 82B 8Gb 2-port PCIe Fibre Channel Host Bus Adapter	AP770B
HP 41B 4Gb 1-port PCIe Fibre Channel Host Bus Adapter	AP767B
HP 42B 4Gb 2-port PCIe Fibre Channel Host Bus Adapter	AP768B

Emulex Fibre Channel HBAs

HP 81E 8Gb 1-port PCIe Fibre Channel Host Bus Adapter	AJ762B
HP 82E 8Gb 2-port PCIe Fibre Channel Host Bus Adapter	AJ763B
HP FC2142SR 4Gb 1-port PCIe Fibre Channel Host Bus Adapter	A8002B
HP FC2242SR 4Gb 2-port PCIe Fibre Channel Host Bus Adapter	A8003B

QLogic Fibre Channel HBAs

HP 81Q 8Gb 1-port PCIe Fibre Channel Host Bus Adapter	AK344A
HP 82Q 8Gb 2-port PCIe Fibre Channel Host Bus Adapter	AJ764A
HP FC1142SR 4Gb 1-port PCIe Fibre Channel Host Bus Adapter	AE311A
HP FC1242SR 4Gb 2-port PCIe Fibre Channel Host Bus Adapter	AE312A

SCSI HBA

HP U320e SCSI Dual Channel Host Bus Adapter	AH627A
---	--------

NOTE: Recommended for MSL SCSI Tape Library connect.

Converged Network Adapter

HP CN1000E Dual Port Converged Network Adapter	AW520B
HP CN1000Q Dual Port Converged Network Adapter	BS668A
HP CN1100E Dual Port Converged Network Adapter	BK835A

HP Disk Storage Systems

MSA SAN Storage Arrays

HP MSA70 Array	418800-B21
----------------	------------

NOTE: Supports up to 12 SFF drives.

NOTE: Please see the QuickSpecs for additional options and configuration information at: http://h18000.www1.hp.com/products/quickspecs/12652_div/12652_div.html

HP Uninterruptible Power Systems

HP Rack-mountable UPS

R7000 Uninterruptible Power System (UPS)

HP R7KVA 4U 50A High Voltage NA/JP Uninterruptible Power System	AF462A
HP R7KVA 4U IEC-32A High Voltage INTL Uninterruptible Power System	AF463A

NOTE: Please see the QuickSpecs for additional options and configuration information at:

http://h18000.www1.hp.com/products/quickspecs/14110_div/14110_div.html
(Worldwide)

R5000 Uninterruptible Power System (UPS)



QuickSpecs

HP ProLiant DL180 Generation 6 (G6)

Additional Options

HP R5KVA 3U IEC309-32A High Voltage INTL Uninterruptible Power System AF461A

HP R5KVA 3U L630 High Voltage NA/JP Uninterruptible Power System AF460A

NOTE: Please see the QuickSpecs for additional options and configuration information at:

http://h18000.www1.hp.com/products/quickspecs/14109_div/14109_div.html
(Worldwide)

HP Rack-Mountable R5500 UPS

HP R5500 6000VA INTL 3U Rackmount Uninterruptible Power System AF416A

HP R5500 5000kVA NA/JP 3U Rackmount Uninterruptible Power System AF426A

NOTE: Please see the QuickSpecs for additional options and configuration information at:

http://h18000.www1.hp.com/products/quickspecs/11871_div/11871_div.html
(Worldwide)

HP R/T3000 G2 Uninterruptible Power System (UPS)

HP R/T3000 G2 2U L530 Low Voltage NA/JP Uninterruptible Power System AF466A

HP R/T3000 G2 2U L620 High Voltage NA/JP Uninterruptible Power System AF467A

HP R/T3000 G2 2U Detachable Cord High Voltage INTL Uninterruptible Power System AF468A

Please see the QuickSpecs for additional information:

http://h18000.www1.hp.com/products/quickspecs/14058_div/14058_div.html
(Worldwide)

HP R1500 G3 Uninterruptible Power Supply (UPS)

HP R1.5kVA G3 1U NA Uninterruptible Power System AF469A

HP R1.5kVA G3 1U JP/TW Uninterruptible Power System AF470A

HP R1.5kVA G3 1U INTL Uninterruptible Power System AF471A

NOTE: Please see the QuickSpecs for additional information:

http://h18000.www1.hp.com/products/quickspecs/14059_div/14059_div.html
(Worldwide)

NOTE: For additional information on all HP Uninterruptible Power Systems and accessories please go to: www.hp.com/products/ups (Worldwide)

NOTE: For additional information on sizing your server, please reference: <http://www.upssizer.com>

NOTE: Please see the UPS and PDU cable matrix's on the HP Power Protection and Management page. Under Power Cords, click on the "HP Power Cord Matrix" link. That link will list cable descriptions, requirements, and specifications for UPS and PDU units. Please see the following link: www.hp.com/products/powercords.

QuickSpecs

HP ProLiant DL180 Generation 6 (G6)

Additional Options

HP Power Distribution Units

Monitored PDUs

HP Monitored Power Distribution Unit: Full Rack Version

HP 8.6kVA 24A Single Input Three Phase NA/JP Monitored Power Distribution Unit	AF504A
HP 16.6kVA 40A Dual Input Single Phase NA/JP Monitored Power Distribution Unit	AF505A
HP 8.3kVA 40A Single Input Single Phase NA/JP Monitored Power Distribution Unit	AF506A
HP 11kVA 16A Single Input Three Phase INTL Monitored Power Distribution Unit	AF508A
HP 7.3kVA 32A Single Input Single Phase INTL Monitored Power Distribution Unit	AF510A

HP Monitored Power Distribution Unit: Half Rack Version

HP 4.9kVA 24A Single Input Single Phase NA/JP Monitored Power Distribution Unit	AF914A
HP 7.3kVA 32A Single Input Single Phase INTL Monitored Power Distribution Unit	AF915A

NOTE: Please see the QuickSpecs for Technical Specifications and additional information:

http://h18000.www1.hp.com/products/quickspecs/12118_div/12118_div.html
(Worldwide)

Modular PDUs 1U/0U (Up to 28 outlets)

HP 4.9kVA 24A High Voltage NA/JP Modular Power Distribution Unit	252663-D72
HP 8.3kVA 40A High Voltage NA/JP Modular Power Distribution Unit	252663-D73
HP 3.6kVA 16A High Voltage INTL Modular Power Distribution Unit	252663-B24
HP 7.3kVA 32A High Voltage INTL Modular Power Distribution Unit	252663-B31

NOTE: Please see the following QuickSpecs for additional options including shorter jumper cables and country specific power cords:

http://h18000.www1.hp.com/products/quickspecs/11041_div/11041_div.html
(Worldwide)

NOTE: For additional information on HP Power Distribution Units including accessories please go to: www.hp.com/go/pdu.

NOTE: Please see the UPS and PDU cable matrix's on the HP Power Protection and Management page. Under Power Cords, click on the "HP Power Cord Matrix" link. That link will list cable descriptions, requirements, and specifications for UPS and PDU units. Please see the following link: www.hp.com/products/powercords.

QuickSpecs

HP ProLiant DL180 Generation 6 (G6)

Additional Options

HP Intelligent Power Distribution Units (iPDU)	iPDU Core Units	
	HP 4.9kVA 24A Single Phase NA/JP Core Intelligent Modular Power Distribution Unit	AF520A
	HP 8.6kVA 24A Three Phase NA/JP Core Intelligent Modular Power Distribution Unit	AF522A
	HP 7.3kVA 32A Single Phase INTL Core Intelligent Modular Power Distribution Unit	AF525A
	HP 11kVA 16A Three Phase INTL Core Intelligent Modular Power Distribution Unit	AF526A
	HP 11.4kVA 16A 415V Three Phase L22-20 NA Core Intelligent Power Distribution Unit	AF900A
	HP 17.3kVA 24A 415V Three Phase L22-30 NA Core Intelligent Power Distribution Unit	AF902A
	HP 17.3kVA 24A 415V Three Phase IEC309 NA Core Intelligent Power Distribution Unit	AF901A
	HP 22kVA 32A 400V Three Phase 12 Outlet Core INTL Intelligent Power Distribution Unit	AF538A
	HP 17.3kVA 24A 415V Three Phase 12 Outlet Core NA/JP Intelligent Power Distribution Unit	AF537A
	HP 17.3kVA 48A 208V Three Phase 12 Outlet Core NA/JP Intelligent Power Distribution Unit	AF535A

NOTE: Please see the QuickSpecs for Technical Specifications and additional information:
http://h18000.www1.hp.com/products/quickspecs/13650_div/13650_div.html
(Worldwide)

HP Rack Options		
	HP USB BFR with PVC Free INDIA Keyboard/Mouse Kit	672097-D63
	HP USB BFR with PVC Free AP-INTL Keyboard/Mouse Kit	672097-373
	HP USB BFR with PVC Free INTL Keyboard/Mouse Kit	672097-B33
	HP USB BFR with PVC Free PORT Keyboard/Mouse Kit	672097-133
	HP USB BFR with PVC Free TURK Keyboard/Mouse Kit	672097-143
	HP USB BFR with PVC Free CZ Keyboard/Mouse Kit	672097-223
	HP USB BFR with PVC Free FIN Keyboard/Mouse Kit	672097-353
	HP USB BFR with PVC Free SWE Keyboard/Mouse Kit	672097-103
	HP USB BFR with PVC Free SWIS Keyboard/Mouse Kit	672097-113
	HP USB BFR with PVC Free KOR Keyboard/Mouse Kit	672097-KD3

HP Server Console Switches

HP Server Console 0x2x8 Port Analog Switch	AF616A
HP Server Console 0x2x16 Port Analog Switch	AF617A

NOTE: Please see the QuickSpecs for Technical Specifications and additional information:
http://h18000.www1.hp.com/products/quickspecs/11834_div/11834_div.html
(Worldwide)

HP Server Console Switch G2 with Virtual Media & CAC

HP 0x2x16 KVM Server Console Switch G2 with Virtual Media CAC Software	AF618A
HP 0x2x32 KVM Server Console Switch G2 with Virtual Media CAC Software	AF619A

NOTE: Please see the QuickSpecs for Technical Specifications and additional information:
http://h18000.www1.hp.com/products/quickspecs/13475_div/13475_div.html
(Worldwide)

HP IP Console Switch G2 with Virtual Media & CAC



QuickSpecs

HP ProLiant DL180 Generation 6 (G6)

Additional Options

HP 1x1Ex8 KVM IP Console Switch G2 with Virtual Media CAC Software	AF620A
HP 2x1Ex16 KVM IP Console Switch G2 with Virtual Media CAC Software	AF621A
HP 4x1Ex32 KVM IP Console Switch G2 with Virtual Media CAC Software	AF622A

NOTE: Please see the QuickSpecs for Technical Specifications and additional information:

http://h18000.www1.hp.com/products/quickspecs/13474_div/13474_div.html
(Worldwide)

Rack Kits

HP Rack Cable Management Velcro Clips	379820-B21
---------------------------------------	------------

HP USB and SD Options

HP USB-P/S2 Mouse	DC369A
HP USB 04 Standard Keyboard	DT528A#ABA

HP Care Pack Services

Hardware Services 4-Hour On-site Service

HP 3 year 4 hour 13x5 ProLiant DL18x Hardware Support	UH271E
HP 3 year 4 hour 24x7 ProLiant DL18x Hardware Support	UH272E

Hardware Services Next Business Day On-Site Service

HP 3 year Next business day ProLiant DL18x Hardware Support	UH270E
---	--------

Hardware Services 6-Hour Call to Repair On-Site Service

HP 3 year 6 hour 24x7 Call to Repair ProLiant DL18x Hardware Support	UH273E
HP Installation ProLiant DL18x Service	UH301E

NOTE: For more information, customer/resellers can contact:
<http://www.hp.com/services/carepack>.



Memory

NOTE: Memory configurations listed do not apply to "Factory Integrated Models".

HP ProLiant DL180 G6

Standard Memory (depending on model)

4GB (1 x 4GB) PC3-10600R-9 Registered memory, with Advanced ECC Capabilities Memory installed.

8GB (2 x 4GB) PC3-10600R-9 Registered memory, with Advanced ECC Capabilities Memory installed.

16GB (4 x 4GB) PC3-10600R-9 Registered memory, with Advanced ECC Capabilities Memory installed.

Maximum Memory

Up to 192GB memory is available with the optional installation of PC3-8500R Registered DIMM memory kits.

NOTE: Charts do not represent all possible memory configurations.

DDR3 memory population guidelines

For detailed memory configuration rules and guidelines, please use the Online DDR3 Memory Configuration Tool:

www.hp.com/go/ddr3memory-configurator

Some DIMM installation guidelines are summarized below:

- For servers with twelve (12) memory slots
- There are three (3) channels per processor; six (6) channels per server
- There are two (2) DIMM slots for each memory channel; twelve (12) total slots
- Memory channel 1 consists of the two (2) DIMMs that are closest to the processor
- Memory channel 3 consists of the two (2) DIMMs that are furthest from the processor
- DIMM slots that are white should be populated first
- Do not mix Unbuffered memory (UDIMMs) with Registered memory (RDIMMs)
- Do not install DIMMs if the corresponding processor is not installed
- If only one processor is installed in a 2CPU system, only half of the DIMM slots are available
- To maximize performance, balance the total memory capacity between all installed processors
- It is not required, but it is recommended to load the channels similarly if possible
- If any Quad rank DIMMs are installed, all channels are limited to only 2 DIMMs per channel.
- You can only install two quad-rank DIMMs per channel
- You can install two UDIMMs per channel; if available, the third slot in the channel must remain empty
- Populate DIMMs from heaviest load (quad-rank) to lightest load (single-rank) within a channel
- Heaviest load (DIMM with most ranks) within a channel goes furthest from the chipset
- If mixing DIMM voltage is a requirement, please note that the DIMMs will run at 1.5V since all 1.35V are capable of supporting 1.5V operations
- Low Voltage DIMMs can only be used with Intel Xeon 5600 series processors.
- For memory mirroring mode, channel 3 must be unpopulated. Channels 1 and 2 are populated identically
- For lock-step mode, channel 3 must be unpopulated. DIMMs in channels 1 and 2 will be installed in pairs. The paired slots will be 1,4; 2,5; 3,6 on a 3DPC system or 1,4; 2,5; on a 2DPC system

QuickSpecs

HP ProLiant DL180 Generation 6 (G6)

Memory

DIMM Type ->	Registered DIMMS (RDIMMs)						Unbuffered with ECC DIMMs (UDIMMs)			
	Single Rank (1R)	Dual Rank (2R)			Quad Rank (4R)		Single Rank (1R)	Dual Rank (2R)		
DIMM Capacity ->	4GB	2GB	4GB	8GB	16GB	4GB	16GB	1GB	2GB	4GB
DIMM Native Speed (MHz) ->	1333	1333	1333	1333	1333	1066	1066	1333	1333	1333
Voltage	LV/Std	Std	Std	LV/Std	LV/Std	Std	Std	Std	Std	Std
SLOTS THAT CAN BE POPULATED										
12 slot servers	12	12	12	12	12	12	12	12	12	12
MAXIMUM CAPACITY (GB)										
12 slot servers	48	24	48	96	192	48	192	12	24	48
POPULATED DIMM SPEED (MHz)										
1 DIMM Per Channel	1333	1333	1333	1333	1333	1066	1066	1333	1333	1333
2 DIMM Per Channel	1333*	1333*	1333*	1333*	1066/ 1033**	800	800	1066	1066	1066

* Supported with BIOS update via ROM Based Setup Utility (RBSU). UDIMM support is on 12-slot server.

**2DPC: LV runs at 1066, Std voltage runs at 1333

NOTES:

- PC3-10600 DIMMs have a maximum speed of 1333MHz. PC3-8500 DIMMs have a maximum speed of 1066MHz
- Mixing DIMM speeds is allowed, but the system processor speed rules always override the DIMM capabilities.
- If you do mix DIMM speeds, the memory bus will default to the minimum clock rate of all DIMMs in the system - even if the slower DIMM is on the other processor.
- If you install 1x 1066MHz DIMM in channel 1 and 1x 1333MHz DIMM in channel 2, the maximum speed will be 1066MHz.
- If you install 1x 1066MHz DIMM in channel 1 and 5x 1333MHz DIMMs with 1 DIMM Per Channel (DPC) in each of the other channels the maximum speed will be 1066MHz.
- If you install 3DPC in one channel (if applicable) and 1DPC in all other channels, you run at 800MHz.
- Maximum memory speed will also depend on the processor installed.
- References to the above MHz speeds are for the various speeds of DDR3 DIMMs; 1333 refers to DDR3-1333, etc.

DIMM slot and configuration diagrams

Basic memory slot & population diagram

- Population order; start with "A" first, "B" second, "C" third, etc.

QuickSpecs

HP ProLiant DL180 Generation 6 (G6)

Memory

12 DIMM SLOTS (6 per CPU node)					
	CPU1		CPU2		
	slot #	population order	slot #	population order	
Chnl 1	1	D	1	D	Chnl 1
	2	A	2	A	
Chnl 2	3	E	3	E	Chnl 2
	4	B	4	B	
Chnl 3	5	F	5	F	Chnl 3
	6	C	6	C	

Standard memory configuration (1 CPU model)

- 6GB, consisting of three (3) 2GB dual-rank PC3-10600 RDIMMs

	CPU1		CPU2		
	slot #	population order	slot #	population order	
Chnl 1	1	D: empty	1	D: empty	Chnl 1
	2	A: 2GB DIMM	2	A: empty	
Chnl 2	3	E: empty	3	E: empty	Chnl 2
	4	B: 2GB DIMM	4	B: empty	
Chnl 3	5	F: empty	5	F: empty	Chnl 3
	6	C: 2GB DIMM	6	C: empty	

Standard memory plus optional memory (1 CPU model)

- 30GB, consisting of three (3) 2GB RDIMMs plus three (3) 8GB RDIMMs
 - 3x 2GB dual-rank PC3-10600 RDIMMs
 - 3x 8GB dual-rank PC3-8500 RDIMMs

	CPU1		CPU2		
	slot #	population order	slot #	population order	
Chnl 1	1	D: 8GB DIMM	1	D: empty	Chnl 1
	2	A: 2GB DIMM	2	A: empty	
Chnl 2	3	E: 8GB DIMM	3	E: empty	Chnl 2
	4	B: 2GB DIMM	4	B: empty	
Chnl 3	5	F: 8GB DIMM	5	F: empty	Chnl 3
	6	C: 2GB DIMM	6	C: empty	

QuickSpecs

HP ProLiant DL180 Generation 6 (G6)

Memory

Standard memory replaced with optional memory (1 CPU model)

RDIMM maximum configuration

- 96GB, consisting of six (6) 16GB quad-rank PC3-8500 RDIMMs

	CPU1		CPU2		
	slot #	population order	slot #	population order	
Chnl 1	1	D: 16GB DIMM	1	D: empty	Chnl 1
	2	A: 16GB DIMM	2	A: empty	
Chnl 2	3	E: 16GB DIMM	3	E: empty	Chnl 2
	4	B: 16GB DIMM	4	B: empty	
Chnl 3	5	I: 16GB DIMM	5	I: empty	Chnl 3
	6	C: 16GB DIMM	6	C: empty	

UDIMM maximum configuration (1 CPU model)

- 24GB, consisting of six (6) 4GB dual-rank PC3-10600 UDIMMs

	CPU1		CPU2		
	slot #	population order	slot #	population order	
Chnl 1	1	D: 4GB DIMM	1	D: empty	Chnl 1
	2	A: 4GB DIMM	2	A: empty	
Chnl 2	3	E: 4GB DIMM	3	E: empty	Chnl 2
	4	B: 4GB DIMM	4	B: empty	
Chnl 3	5	F: 4GB DIMM	5	F: empty	Chnl 3
	6	C: 4GB DIMM	6	C: empty	

Standard memory replaced with optional memory (2 CPU model)

RDIMM maximum configuration

- 192GB, consisting of twelve (12) 16GB quad-rank PC3-8500 RDIMMs and twelve (12) 16 GB dual rank PC3L-10600R-9 RDIMMs

	CPU1		CPU2		
	slot #	population order	slot #	population order	
Chnl 1	1	D: 16GB DIMM	1	D: 16GB DIMM	Chnl 1
	2	A: 16GB DIMM	2	A: 16GB DIMM	
Chnl 2	3	E: 16GB DIMM	3	E: 16GB DIMM	Chnl 2
	4	B: 16GB DIMM	4	B: 16GB DIMM	
Chnl 3	5	F: 16GB DIMM	5	F: 16GB DIMM	Chnl 3
	6	C: 16GB DIMM	6	C: 16GB DIMM	

QuickSpecs

HP ProLiant DL180 Generation 6 (G6)

Memory

UDIMM maximum configuration (2 CPU model)

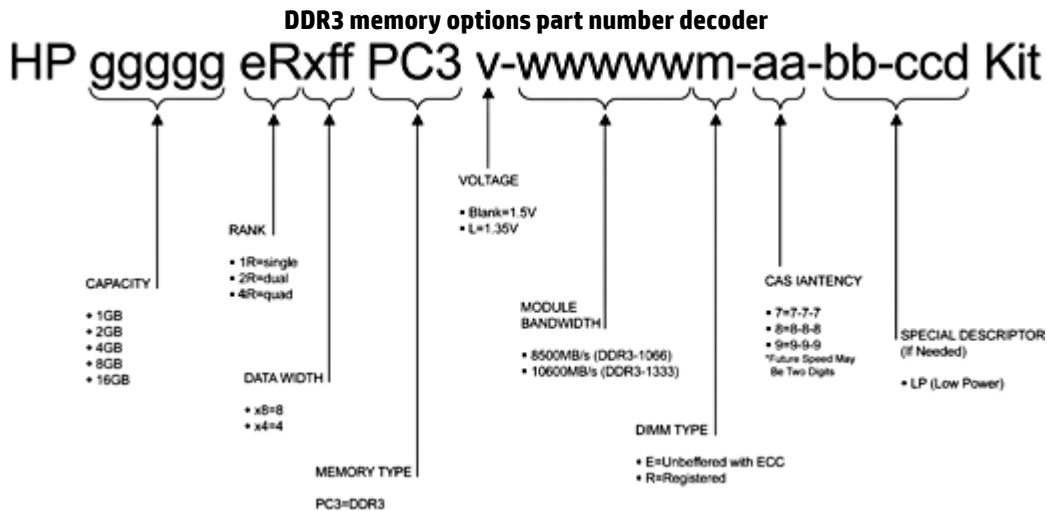
- 48GB, consisting of twelve (12) 4GB dual-rank PC3-10600 UDIMMs

	CPU1		CPU2		
	slot #	population order	slot #	population order	
Chnl 1	1	D: 4GB DIMM	1	D: 4GB DIMM	Chnl 1
	2	A: 4GB DIMM	2	A: 4GB DIMM	
Chnl 2	3	E: 4GB DIMM	3	E: 4GB DIMM	Chnl 2
	4	B: 4GB DIMM	4	B: 4GB DIMM	
Chnl 3	5	F: 4GB DIMM	5	F: 4GB DIMM	Chnl 3
	6	C: 4GB DIMM	6	C: 4GB DIMM	

NOTE: Capacity references are rounded to the common Gigabyte values.

- 1GB = 1024MB
- 2GB = 2048MB
- 4GB = 4096MB
- 8GB = 8192MB
- 16GB = 16384MB

For detailed memory configuration rules and guidelines, please use the [Online DDR3 Memory Configuration Tool: www.hp.com/go/ddr3memory-configurator](http://www.hp.com/go/ddr3memory-configurator)



HP Memory

Registered RDIMMs

HP 2GB (1x2GB) Dual Rank x8 PC3-10600 (DDR3-1333) Registered CAS-9 Memory Kit	500656-B21
HP 4GB (1x4GB) Dual Rank x4 PC3-10600 (DDR3-1333) Registered CAS-9 Memory Kit	500658-B21
HP 4GB (1x4GB) Single Rank x4 PC3-10600 (DDR3-1333) Registered CAS-9 Memory Kit	593339-B21
HP 16GB (1x16GB) Quad Rank x4 PC3-8500 (DDR3-1066) Registered CAS-7 Memory Kit	500666-B21



QuickSpecs

HP ProLiant DL180 Generation 6 (G6)

Memory

HP 4GB (1x4GB) Single Rank x4 PC3L-10600 (DDR3-1333) Registered CAS-9 Low Power Memory Kit	604504-B21
HP 8GB (1x8GB) Dual Rank x4 PC3L-10600 (DDR3-1333) Registered CAS-9 Low Power Memory Kit	604506-B21
HP 8GB (1x8GB) Dual Rank x4 PC3-10600 (DDR3-1333) Registered CAS-9 Memory Kit	500662-B21
HP 16GB (1x16GB) Dual Rank x4 PC3L-10600 (DDR3-1333) Registered CAS-9 LP Memory Kit	627812-B21

Unregistered with ECC UDIMMs

HP 1GB (1x1GB) Single Rank x8 PC3-10600 (DDR3-1333) Unbuffered CAS-9 Memory Kit	500668-B21
HP 2GB (1x2GB) Dual Rank x8 PC3-10600 (DDR3-1333) Unbuffered CAS-9 Memory Kit	500670-B21
HP 4GB (1x4GB) Dual Rank x8 PC3-10600 (DDR3-1333) Unbuffered CAS-9 Memory Kit	500672-B21
HP 4GB (1x4GB) Dual Rank x8 PC3L-10600 (DDR3-1333) Unbuffered CAS-9 Low Power Memory Kit	619488-B21

NOTE: All DDR3 memory option kits consist of one DIMM per kit. For detailed memory configuration rules and guidelines, please use the Online DDR3 Memory Configuration Tool: www.hp.com/go/ddr3memory-configurator.

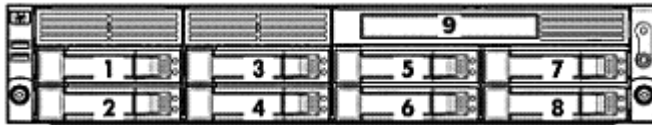
NOTE: Kits described as LP include Low Power DIMMs. For more information on ProLiant Energy Efficient Features, see: <http://h18004.www1.hp.com/products/servers/platforms/energyefficient/>

QuickSpecs

HP ProLiant DL180 Generation 6 (G6)

Storage

8 Drive Cage with DVD-Drive bay



- 1-8 Eight 3.5" Hot Plug SAS/SATA Hard Drive Bays
- 9 DVD-ROM, DVD RW

12 Drive Cage



- 1-12 Twelve 3.5" Hot Plug SAS/SATA Hard Drive Bays
- 13-14 Two Rear 3.5" Hot Plus SAS/SATA Hard Drive Bays (Not Shown)

Drive Support

Removable Media

	Quantity Supported	Position Supported	Controller
DVD-ROM	Up to 1	9	Integrated IDE (ATAPI) (optional)
DVD RW	Up to 1	9	Integrated IDE (ATAPI) (optional)

Hard Drives

NOTE: The components of a storage subsystem (e.g. the drive, the HBA/controller, and the server backplane) should operate at the same data transfer rate or the system bandwidth will be negotiated down to an acceptable level for all components.

NOTE: Hard drives have either a one year or three year warranty; refer to the specific hard drive QuickSpecs for details.

SATA Hot Plug SFF (2.5-inch) Midline (MDL) Drives

	Quantity Supported	Position Supported	Controller
1.0TB 3G SATA 7.2K 500GB 3G SATA 7.2K	Up to 8 with 8 drive cage	1-8	HP Smart Array P212/Zero Memory Controller HP Smart Array P212/256 MB Controller HP Smart Array P410/256 MB Controller HP Smart Array P410/512 MB BBWC Controller HP Smart Array P410/512 MB FBWC Controller HP Smart Array P410/1G FBWC Controller HP Smart Array P812/1G FBWC Controller HP Smart Array P800/512 BBWC Controller
	Up to 25 with 25 drive cage	1-25	NOTE: Smart Array P212 Controllers recommended. HP Smart Array P212/256 MB Controller HP Smart Array P410/256 MB Controller HP Smart Array P410/512 MB BBWC Controller

QuickSpecs

HP ProLiant DL180 Generation 6 (G6)

Storage

HP Smart Array P410/512 MB FBWC Controller
 HP Smart Array P410/1G FBWC Controller
 HP Smart Array P812/1G FBWC Controller
 HP Smart Array P800/512 BBWC Controller
 HP Smart Array Hot Plug Advance Pack for B110i

SATA Hot Plug LFF (3.5-inch) Midline (MDL) Drives

	Quantity Supported	Position Supported	Controller
3TB 3G SATA 7.2K 2TB 3G SATA 7.2K 1TB 3G SATA 7.2K 500GB 3G SATA 7.2K	Up to 8 with 8 drive cage	1-8	HP Smart Array P212/Zero Memory Controller HP Smart Array P212/256 MB Controller HP Smart Array P410/256 MB Controller HP Smart Array P410/512 MB BBWC Controller HP Smart Array P410/512 MB FBWC Controller HP Smart Array P410/1G FBWC Controller HP Smart Array P812/1G FBWC Controller HP Smart Array P800/512 BBWC Controller
	Up to 14 with 12 drive cage + Rear Drive Cage	1-14	NOTE: Smart Array P212 Controllers recommended. HP Smart Array P212/256 MB Controller HP Smart Array P410/256 MB Controller HP Smart Array P410/512 MB BBWC Controller HP Smart Array P410/512 MB FBWC Controller HP Smart Array P410/1G FBWC Controller HP Smart Array P812/1G FBWC Controller HP Smart Array P800/512 BBWC Controller HP Smart Array Hot Plug Advance Pack for B110i

SATA Hot Plug LFF (3.5-inch) Entry (ETY) Drives

	Quantity Supported	Position Supported	Controller
250GB 3G SATA 7.2K	Up to 8 with 8 drive cage	1-8	HP Smart Array P212/Zero Memory Controller HP Smart Array P212/256 MB Controller HP Smart Array P410/256 MB Controller HP Smart Array P410/512 MB BBWC Controller HP Smart Array P410/512 MB FBWC Controller HP Smart Array P410/1G FBWC Controller HP Smart Array P812/1G FBWC Controller HP Smart Array P800/512 BBWC Controller
	Up to 14 with 12 drive cage + Rear Drive Cage	1-14	HP Smart Array P212/256 MB Controller HP Smart Array P410/256 MB Controller HP Smart Array P410/512 MB BBWC Controller HP Smart Array P410/512 MB FBWC Controller HP Smart Array P410/1G FBWC Controller HP Smart Array P812/1G FBWC Controller HP Smart Array P800/512 BBWC Controller HP Smart Array Hot Plug Advance Pack for B110i

SATA Hot Plug 2.5" Enterprise Mainstream Solid State Drives

	Quantity Supported	Position Supported	Controller
400GB 3G SATA MLC SFF	Up to 8 with 8	1-8	HP Smart Array P212/Zero Memory Controller



QuickSpecs

HP ProLiant DL180 Generation 6 (G6)

Storage

SSD 200GB 3G SATA MLC SFF	drive cage		HP Smart Array P212/256 MB Controller HP Smart Array P410/256 MB Controller
SSD 100GB 3G SATA MLC SFF			HP Smart Array P410/512 MB BBWC Controller HP Smart Array P410/512 MB FBWC Controller HP Smart Array P410/1G FBWC Controller HP Smart Array P812/1G FBWC Controller
	Up to 25 with 25 drive cage	1-25	HP Smart Array P212/256 MB Controller HP Smart Array P410/256 MB Controller HP Smart Array P410/512 MB BBWC Controller HP Smart Array P410/512 MB FBWC Controller HP Smart Array P410/1G FBWC Controller HP Smart Array P812/1G FBWC Controller HP Smart Array Hot Plug Advance Pack for B110i

SATA Hot Plug 3.5" Midline (MDL) Solid State Drives

	Quantity Supported	Position Supported	Controller
400GB 3G SATA MLC LFF SSD	Up to 8 with 8 drive cage	1-8	HP Smart Array P410/256 MB Controller
200GB 3G SATA MLC LFF SSD			HP Smart Array P410/512 MB BBWC Controller
100GB 3G SATA MLC LFF SSD			HP Smart Array P410/512 MB FBWC Controller
			HP Smart Array P410/1G FBWC Controller
			HP Smart Array P812/1G FBWC Controller
			HP Smart Array P212/Zero Memory Controller HP Smart Array P212/256 MB Controller HP Smart Array B110i Hot Plug Advance Pack for B110i

SAS Hot Plug SFF (2.5-inch) Midline (MDL) Drives

	Quantity Supported	Position Supported	Controller
1.0TB 6G SAS 7.2K 500GB 6G SAS 7.2K	Up to 8 with 8 drive cage	1-8	HP Smart Array P212/Zero Memory Controller HP Smart Array P212/256 MB Controller HP Smart Array P410/256 MB Controller HP Smart Array P410/512 MB BBWC Controller HP Smart Array P410/512 MB FBWC Controller HP Smart Array P410/1G FBWC Controller HP Smart Array P812/1G FBWC Controller HP Smart Array P800/512 BBWC Controller
			Up to 25 with 25 drive cage

SAS Hot Plug LFF (3.5-inch) Midline (MDL) Drives

	Quantity Supported	Position Supported	Controller
3TB 6G SAS 7.2K 2TB 6G SAS 7.2K 1TB 6G SAS 7.2K	Up to 8 with 8 drive cage	1-8	HP Smart Array P212/Zero Memory Controller HP Smart Array P212/256 MB Controller HP Smart Array P410/256 MB Controller



QuickSpecs

HP ProLiant DL180 Generation 6 (G6)

Storage

HP Smart Array P410/512 MB BBWC Controller
 HP Smart Array P410/512 MB FBWC Controller
 HP Smart Array P410/1G FBWC Controller
 HP Smart Array P812/1G FBWC Controller
 HP Smart Array P800/512 BBWC Controller
 HP Smart Array P212/256 MB Controller
 HP Smart Array P410/256 MB Controller
 HP Smart Array P410/512 MB BBWC Controller
 HP Smart Array P410/512 MB FBWC Controller
 HP Smart Array P410/1G FBWC Controller
 HP Smart Array P812/1G FBWC Controller
 HP Smart Array P800/512 BBWC Controller

Up to 14 with 12
 drive cage + Rear
 Drive Cage

1-14

SAS Hot Plug SFF (2.5-inch) Enterprise (ENT) Drives

	Quantity Supported	Position Supported	Controller
900GB 6G 10K SAS 600GB 6G 10K SAS 450GB 6G 10K SAS 300GB 6G SAS 15K 300GB 6G 10K SAS 146GB 6G 15K SAS	Up to 8 with 8 drive cage	1-8	HP Smart Array P212/Zero Memory Controller HP Smart Array P212/256 MB Controller HP Smart Array P410/256 MB Controller HP Smart Array P410/512 MB BBWC Controller HP Smart Array P410/512 MB FBWC Controller HP Smart Array P410/1G FBWC Controller HP Smart Array P812/1G FBWC Controller HP Smart Array P800/512 BBWC Controller
	Up to 25 with 25 drive cage	1-25	HP Smart Array P212/256 MB Controller HP Smart Array P410/256 MB Controller HP Smart Array P410/512 MB BBWC Controller HP Smart Array P410/512 MB FBWC Controller HP Smart Array P410/1G FBWC Controller HP Smart Array P812/1G FBWC Controller HP Smart Array P800/512 BBWC Controller

SAS Hot Plug LFF (3.5-inch) Enterprise (ENT) Drives

	Quantity Supported	Position Supported	Controller
600GB 6G SAS 15K 450GB 6G SAS 15K 300GB 6G SAS 15K	Up to 8 with 8 drive cage	1-8	HP Smart Array P212/Zero Memory Controller HP Smart Array P212/256 MB Controller HP Smart Array P410/256 MB Controller HP Smart Array P410/512 MB BBWC Controller HP Smart Array P410/512 MB FBWC Controller HP Smart Array P410/1G FBWC Controller HP Smart Array P812/1G FBWC Controller HP Smart Array P800/512 BBWC Controller
	Up to 14 with 12 drive cage + Rear Drive Cage	1-14	HP Smart Array P212/256 MB Controller HP Smart Array P410/256 MB Controller HP Smart Array P410/512 MB BBWC Controller HP Smart Array P410/512 MB FBWC Controller HP Smart Array P410/1G FBWC Controller HP Smart Array P812/1G FBWC Controller HP Smart Array P800/512 BBWC Controller

6G SAS Hot Plug Enterprise Performance Solid State Drives



QuickSpecs

HP ProLiant DL180 Generation 6 (G6)

Storage

	Quantity Supported	Position Supported	Controller
400GB 6G SAS SLC 200GB 6G SAS SLC	Up to 4	1-4	HP Smart Array P212 Controller HP Smart Array P410 Controller HP Smart Array P812/1G Flash Backed Cache Controller

6G SAS Hot Plug Enterprise Mainstream Solid State Drives

	Quantity Supported	Position Supported	Controller
800GB 6G SAS MLC 400GB 6G SAS MLC 200GB 6G SAS MLC	Up to 4	1-4	HP Smart Array P212 Controller HP Smart Array P410 Controller HP Smart Array P812/1G Flash Backed Cache Controller

External Storage

	Quantity Supported	Position Supported	Controller
70 Modular Smart Array	Up to 2	External	HP Smart Array P212/256 MB Controller
	Up to 4	External	HP Smart Array P411/256 MB Controller HP Smart Array P411/512 MB FBWC Controller HP Smart Array P411/512 MB FBWC Controller HP Smart Array P411/1G FBWC Controller HP Smart Array P812/1G Flash Backed Cache Controller HP Smart Array P800/512 BBWC Controller

Tape and Disk Backup

NOTE: For the complete range of tape drives, autoloaders, libraries and media, including the internal fitting models, see: <http://www.hp.com/go/tape>. For the complete range of D2D Backup Systems see: <http://www.hp.com/go/d2d>. For the complete range of RDX drives and media see: <http://www.hp.com/go/rdx>. For hardware and software compatibility of HP disk and tape backup products see: <http://www.hp.com/storage/SPOCK>

	Position	Recommended Controller	Part Number
HP SCSI Tape Drives	External	HP SC11Xe Ultra320 Single Channel/ PCIe x4 SCSI Host Bus Adapter	412911-B21
LTO-1 Ultrium 232			
LTO-2 Ultrium 448			
LTO-3 Ultrium 920			
LTO-3 Ultrium 960			
LTO4 Ultrium 1760			
LTO-4 Ultrium 1840			
DAT 40			
DAT 72			
DAT 160			
1U Rack-Mount Kit			
3U Rack-Mount Kit			
HP USB Tape Drives	External	USB 2.0 Port	N/A
DAT 40			
DAT 72			



QuickSpecs

HP ProLiant DL180 Generation 6 (G6)

Storage

DAT 160
 DAT 320
 1U USB Rack-Mount Kit

HP SAS Tape Drives DAT 160 DAT 320 LTO-2 Ultrium 448 LTO-3 Ultrium 920 LTO-4 Ultrium 1760 LTO-4 Ultrium 1840 LTO-5 Ultrium 3000 LTO-5 Ultrium 3280 1U Rack-Mount Kit 3U Rack-Mount Kit	External	HP Smart Array P212/ZM 1-ports Int/1-ports Ext PCIe x8 SAS Controller	462828-B21
---	----------	---	------------

HP SCSI Tape Autoloaders DAT 72x10 Autoloader 1/8 G2 Autoloader	External	HP SC11Xe Ultra320 Single Channel/ PCIe x4 SCSI Host Bus Adapter	412911-B21
--	----------	--	------------

HP SCSI Tape Libraries MSL2024 MSL4048 MSL8096 MSL6000	External	HP U320e SCSI Dual Channel Host Bus Adapter	AH627A
---	----------	---	--------

HP SAS Tape Autoloaders and Libraries 1/8 G2 Autoloader MSL2024 MSL4048 MSL8096	External	HP Smart Array P212/ZM 1-ports Int/1-ports Ext PCIe x8 SAS Controller	462828-B21
--	----------	---	------------

HP Fibre Channel Tape Libraries MSL2024 MSL4048 MSL8096 MSL6000	External	Please consult the EBS connectivity matrix at: http://www.hp.com/go/ebs for connectivity information and the supported Fibre Channel HBAs shown in this QuickSpecs.	
--	----------	--	--

HP USB RDX Removable Disk Backup System RDX160 RDX320 RDX500 RDX750	External	USB 2.0 port	N/A
--	----------	--------------	-----



QuickSpecs

HP ProLiant DL180 Generation 6 (G6)

Storage

**HP D2D Backup Systems,
iSCSI**

D2D2500i
D2D4000i

External

Embedded Network Controller. If the server requires a hardware iSCSI initiator, the QLogic QLA4050 Host Bus Adapter is recommended.

**HP D2D Backup Systems,
Fibre Channel**

D2D4000fc

External

Direct server attach is not supported, requires connection via SAN fabric. See: <http://www.hp.com/storage/SPOCK>

QuickSpecs

HP ProLiant DL180 Generation 6 (G6)

Power Specifications

HP 460W Common Slot Gold Hot Plug Power Supply Kit							
Part Number	503296-B21						
Input Voltage Range (Vrms)	100 to 240						
Frequency Range (Nominal) (Hz)	50/60						
Nominal Input Voltage (Vrms)	100	120	208	200	220	230	240
Maximum Rated Output Wattage	460	460	460	460	460	460	460
Nominal Input Current (A rms)	5.5	4.5	2.6	2.5	2.4	2.3	2.2
Max Rated Input Wattage Rating (Watts)	526	520	505	505	503	503	503
Max. Rated VA (Volt-Amp)	548	542	527	527	524	524	524
Efficiency (%) at Max. Rated Output Wattage	87.5	88.5	91	91	91.5	91.5	91.5
Power Factor	0.97	0.97	0.97	0.97	0.97	0.97	0.97
Leakage Current (mA)	0.42	0.50	0.83	0.87	0.92	0.96	1.00
Max. Inrush Current (A peak)	30	30	30	30	30	30	30
Max. Inrush Current duration (mS)	20	20	20	20	20	20	20
Maximum British Thermal Unit Rating (BTU-Hr)	1794	1773	1725	1725	1715	1715	1715

HP 750W Common Slot Gold Hot Plug Power Supply Kit							
Part Number	512327-B21						
Input Voltage Range (Vrms)	100 to 240						
Frequency Range (Nominal) (Hz)	50/60						
Nominal Input Voltage (Vrms)	100	120	208	200	220	230	240
Maximum Rated Output Wattage	750	750	750	750	750	750	750
Nominal Input Current (A rms)	8.9	7.4	4.3	4.1	3.9	3.7	3.6
Max Rated Input Wattage Rating (Watts)	857	847	824	825	820	820	820
Max. Rated VA (Volt-Amp)	894	884	859	859	854	854	854
Efficiency (%) at Max. Rated Output Wattage	87.5	88.5	91	91	91.5	91.5	91.5
Power Factor	0.97	0.97	0.97	0.97	0.97	0.97	0.97
Leakage Current (mA)	0.42	0.50	0.83	0.87	0.92	0.96	1.00
Max. Inrush Current (A peak)	30	30	30	30	30	30	30
Max. Inrush Current duration (mS)	20	20	20	20	20	20	20
Maximum British Thermal Unit Rating (BTU-Hr)	2925	2892	2812	2812	2797	2797	2797

QuickSpecs

HP ProLiant DL180 Generation 6 (G6)

Power Specifications

HP 460W Common Slot Platinum Hot Plug Power Supply Kit							
Part Number	593188-B21						
Input Voltage Range (Vrms)	100 to 240						
Frequency Range (Nominal) (Hz)	50/60						
Nominal Input Voltage (Vrms)	100	120	208	200	220	230	240
Maximum Rated Output Wattage	460	460	460	460	460	460	460
Nominal Input Current (A rms)	5.3	4.3	2.5	2.4	2.3	2.2	2.1
Max Rated Input Wattage Rating (Watts)	512	505	493	493	492	492	491
Max. Rated VA (Volt-Amp)	526	518	506	506	505	505	504
Efficiency (%) at Max. Rated Output Wattage	89.8	91.2	93.2	93.3	93.5	93.6	93.6
Power Factor	0.985						
Leakage Current (mA)	0.42	0.50	0.83	0.87	0.92	0.96	1.00
Max. Inrush Current (A peak)	30						
Max. Inrush Current duration (mS)	20						
Maximum British Thermal Unit Rating (BTU-Hr)	1747	1722	1683	1682	1679	1678	1677

HP 750W Common Slot Platinum Hot Plug Power Supply Kit							
Part Number	593831-B21						
Input Voltage Range (Vrms)	100 to 240						
Frequency Range (Nominal) (Hz)	50/60						
Nominal Input Voltage (Vrms)	100	120	208	200	220	230	240
Maximum Rated Output Wattage	750	750	750	750	750	750	750
Nominal Input Current (A rms)	8.6	7.1	4.2	4.0	3.8	3.6	3.4
Max Rated Input Wattage Rating (Watts)	841	828	809	808	807	806	805
Max. Rated VA (Volt-Amp)	863	850	830	829	828	827	826
Efficiency (%) at Max. Rated Output Wattage	89.2	90.6	92.7	92.8	93.0	93.1	93.2
Power Factor	0.985						
Leakage Current (mA)	0.42	0.50	0.83	0.87	0.92	0.96	1.00
Max. Inrush Current (A peak)	30						
Max. Inrush Current duration (mS)	20						
Maximum British Thermal Unit Rating (BTU-Hr)	2868	2825	2761	2757	2753	2749	2747

QuickSpecs

HP ProLiant DL180 Generation 6 (G6)

Power Specifications

HP 1200W Common Slot -48VDC Hot Plug Power Supply Kit			
Part Number	437573-B21		
Input Voltage Range (Vrms)	36-72		
Frequency Range (Nominal) (Hz)	DC		
Nominal Input Voltage (Vrms)	36	48	72
Maximum Rated Output Wattage Rating	1200	1200	1200
Nominal Input Current (A rms)	38	28	19
Max Rated Input Wattage Rating (Watts)	1380	1350	1365
Max. Rated VA (Volt-Amp)	1380	1350	1365
Efficiency (%)	87	89	88
Power Factor	N/A		
Leakage Current (mA)	N/A		
Max. Inrush Current (A peak)	20	25	35
Max. Inrush Current duration (mS)	1	1	3
Maximum British Thermal Unit Rating (BTU-Hr)	4713	4610	4662

Optional Country Power Cords and Jumper Cords

WW	HP C20 - C13 WW 250V 15Amp 2.0m Jumper Cord	AF590A
Brazil	HP C13 - NBR-14136 BR 250V 10Amp 1.83m Power Cord	AF591A

QuickSpecs

HP ProLiant DL180 Generation 6 (G6)

Technical Specifications

System Unit	Dimensions (H x W x D) (with bezel)	3.45" x 17.64" x 28.23" in (8.76 x 44.80 x 71.71 cm)		
	Weight (approximate)	Maximum	45.0 lb (16.80 kg) (all hard drives, power supplies, and processors installed)	
		Minimum	32.0 lb (11.94 kg) (one hard drive, power supply, and processor installed)	
Input Requirements (per power supply)	Rated Line Voltage	90 -- 132 VAC, 180 - 264 V		
		Rated Input Current	460 Watt	7.1 A (at 120 VAC) 3.5 A (at 240 VAC)
			750 Watt	7.4 A (at 120 VAC) 3.6 A (at 240 VAC)
		Rated Input Frequency	50 to 60 Hz	
	Rated Input Power	460 & 750 watt - 852 W		
BTU Rating	Maximum	460 Watt	1773 BTU/hr (at 120 VAC) 1715 BTU/hr (at 240 VAC)	
		750 Watts	2892 BTU/hr (at 120 VAC) 2797 BTU/hr (at 240 VAC)	
Power Specifications	To review typical system power ratings use the Power Advisor which is available via the online tool located at URL: www.hp.com/go/proliant-energy-efficient			
		<ul style="list-style-type: none"> Click on the system of interest. Example: DL180 G6 Follow the instructions of the next screens. 		
Power Supply Output (per power supply)	Rated Steady-State Power	460 W (at 100 VAC)		
		750 W (at 100 VAC)		
		460 W (at 200 VAC)		
		750 W (at 200 VAC)		
	Maximum Peak Power	460 W (at 100 VAC)		
		750 W (at 100 VAC)		
		460 W (at 200 VAC)		
		750 W (at 200 VAC)		
System Inlet Temperature	Operating	10° to 35°C (50° to 95°F) at sea level with an altitude derating of 1.0°C per every 305 m (1.8°F per every 1000 ft) above sea level to a maximum of 3050 m (10,000 ft), no direct sustained sunlight. Maximum rate of change is 10°C/hr (18°F/hr). The upper limit may be limited by the type and number of options installed.		



QuickSpecs

HP ProLiant DL180 Generation 6 (G6)

Technical Specifications

		System performance may be reduced if operating with a fan fault or above 30°C (86°F).
	Non-operating	-30° to 60°C (-22° to 140°F). Maximum rate of change is 20°C/hr (36°F/hr).
Relative Humidity (non-condensing)	Operating	10 to 90% relative humidity (Rh), 28°C (82.4°F) maximum wet bulb temperature, non-condensing.
	Non-operating	5 to 95% relative humidity (Rh), 38.7°C (101.7°F) maximum wet bulb temperature, non-condensing.
Altitude	Operating	3050 m (10,000 ft). This value may be limited by the type and number of options installed. Maximum allowable altitude change rate is 457 m/min (1500 ft/min).
	Non-operating	9144 m (30,000 ft). Maximum allowable altitude change rate is 457 m/min (1500 ft/min).
Acoustic Noise	Listed are the declared A-Weighted sound power levels (LWAd) and declared average bystander position A-Weighted sound pressure levels (LpAm) when the product is operating in a 23°C ambient environment. Noise emissions were measured in accordance with ISO 7779 (ECMA 74) and declared in accordance with ISO 9296 (ECMA 109).	
	Idle	
	LWAd	5.3 B
	LpAm	38 dBA
	Operating	
	LWAd	5.3 B
	LpAm	38 dBA

NC362i Integrated Dual Port Gigabit Server Adapter

Network Interface	Integrated 10/100/1000BASE-T Transceiver Combines a triple-speed IEEE 802.3TM - Compliant Media Access Controller (MAC) with a triple-speed Ethernet transceiver.	
Data Transfer Method	Compliant to x1 PCIe Specification	
Controller	Intel® 82576	
Network Transfer Rate	10Base-T (Half-Duplex)	10 Mb/s
	10Base-T (Full-Duplex)	20 Mb/s
	100Base-TX (Half-Duplex)	100 Mb/s
	100Base-TX (Full-Duplex)	200 Mb/s
	1000Base-TX (Half and Full-Duplex)	2000 Mb/s
Connector	RJ-45	
Cable Support	Performs all the physical layer functions for 10BASE-T, 100BASE-T, and 1000BASE-T Ethernet on standard Category 5 UT	

QuickSpecs

HP ProLiant DL180 Generation 6 (G6)

Technical Specifications

Smart Array P212 Controller	Disk Drive and Enclosure Interface	3G SAS (Serial Attached SCSI) 1.5G SATA (Serial ATA)
	SAS Connectors	1 internal/1 external (Mini-SAS) x8 wide port connectors
	Cache Memory Speed	DDR-2/533 MHz with 40 or 72-bit wide bus provides up to 4.2 GB/s maximum bandwidth.
	Server Interface	x8 2.5G PCIe 2.0 provides 2GB/s maximum bandwidth.
	SAS Speed	x8 3G SAS provides 2.4GB/s maximum bandwidth.
	Cache Memory	40-bit 256MB ECC protected cache; transportable with battery-backed upgrade. NOTE: The 256MB cache is not battery-backed or transportable.
	Logical Drives Supported	Up to 32 logical volumes
	Host Memory Addressing	64-bit, supporting greater than 4GB server memory space
	RAID Support	RAID 6, 6+0 (Advanced Data Guarding) NOTE: A minimum of 256 MB cache, battery kit, and Smart Array Advanced Pack License Key upgrade is required to enable RAID 6, 6+0 RAID 5, 5+0 (Distributed Data Guarding) NOTE: The 256 MB & Battery Kit upgrade is required to enable RAID 5, 5+0 support RAID 1, 1+0 (Striping & Mirroring) RAID 0 (Striping)

Smart Array P410/410i Controller	Disk Drive and Enclosure Interface	6Gb/s SAS (Serial Attached SCSI) 3Gb/s SATA (Serial ATA)
	SAS Connectors	2 internal (Mini-SAS) x8 wide port connectors
	Cache Memory Speed	DDR2-533MHz with 40 or 72-bit wide bus provides up to 4.2 GB/s maximum bandwidth.
	Server Interface	x8 2.5G PCIe 2.0 provides 2GB/s maximum bandwidth
	SAS Speed	x8 6Gb/s SAS provides 24.8GB/s maximum bandwidth
	Cache Memory	40-bit 256MB ECC protected cache (72-bit 512MB BBWC module upgrades available); transportable with battery-backed upgrade
	Logical Drives Supported	Up to 64 logical drives
	Host Memory Addressing	64-bit, supporting greater than 4GB server memory space
	RAID Support	RAID 6, 6+0 (Advanced Data Guarding) NOTE: The minimum of 256 MB cache, battery kit, and Smart Array Advanced Pack License Key upgrade is required to enable RAID 6, 6+0 RAID 5, 5+0 (Distributed Data Guarding) NOTE: The 256 MB is required to enable RAID 5, 5+0 support of the Smart Array P410i RAID 1+0 (Striping & Mirroring) RAID 0 (Striping)

QuickSpecs

HP ProLiant DL180 Generation 6 (G6)

Technical Specifications

Environment-friendly Products and Approach

End-of-life Management and Recycling

Hewlett-Packard offers end-of-life HP product return, trade-in, and recycling programs in many geographic areas. For trade-in information, please go to: <http://www.hp.com/go/green>. To recycle your product, please go to: <http://www.hp.com/go/green> or contact your nearest HP sales office. Products returned to HP will be recycled, recovered or disposed of in a responsible manner.

The EU WEEE directive (2002/95/EC) requires manufacturers to provide treatment information for each product type for use by treatment facilities. This information (product disassembly instructions) is posted on the Hewlett Packard web site at: <http://www.hp.com/go/green>. These instructions may be used by recyclers and other WEEE treatment facilities as well as HP OEM customers who integrate and re-sell HP equipment.

© Copyright 2012 Hewlett-Packard Development Company, L.P.

The information contained herein is subject to change without notice.

Microsoft and Windows NT are US registered trademarks of Microsoft Corporation.

Intel, the Intel logo, Xeon and Xeon Inside are trademarks of Intel Corporation in the U.S. and other countries.

The only warranties for HP products and services are set forth in the express warranty statements accompanying such products and services. Nothing herein should be construed as constituting an additional warranty. HP shall not be liable for technical or editorial errors or omissions contained herein.

For hard drives, 1GB = 1 billion bytes. Actual formatted capacity is less.