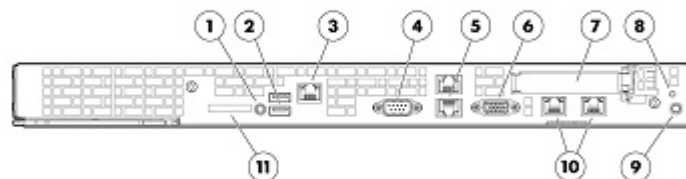
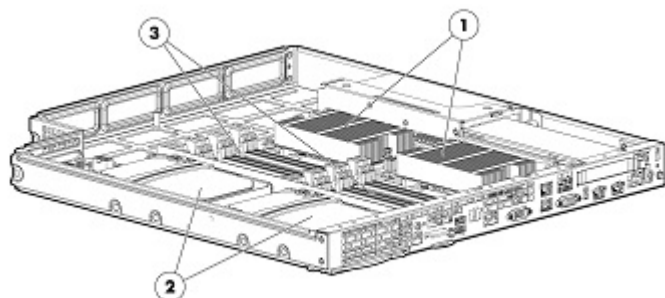


# QuickSpecs

## HP ProLiant SL165z Generation 7 (G7)

### Overview

Introducing the HP ProLiant SL165z G7, now available with the latest high performance Opteron Eight and Twelve Core processors, 24 DDR3 memory DIMMs, 2 PCIe Gen2 slots, four NIC ports and an Easy Setup CD.



#### Inside View:

1. Up to Two AMD Opteron™ Processor 6100 series
2. Two 3.5" or four 2.5" non-hot plug hard drives using a quick release drive carrier
3. 24 DDR3 DIMM slots

#### Front View:

1. UID
2. (2) USB Ports
3. Optional Dedicated Management port
4. Video Port
5. (2) 1Gbit NIC
6. Serial Port
7. Optional low profile x16 PCI-e Gen 2
8. Health LED
9. Power Button
10. (2) 1Gbit NIC
11. Optional SD Slot



# QuickSpecs

## HP ProLiant SL165z Generation 7 (G7)

### Standard Features

**NOTE:** For the Standard Features shipped in the "Factory Integrated Models", please see the "Configuration Information - Factory Integrated Models" section.

#### Processor

One of the following depending on Model

#### Twelve-Core Processors

AMD Opteron™ Processor Model 6176SE (2.3 GHz, 12MB Level 3 Cache, 105W)

AMD Opteron™ Processor Model 6174 (2.2 GHz, 12MB Level 3 Cache, 80 W)

AMD Opteron™ Processor Model 6172 (2.1 GHz, 12MB Level 3 Cache, 80W)

AMD Opteron™ Processor Model 6168 (1.9 GHz, 12MB Level 3 Cache, 80W)

AMD Opteron™ Processor Model 6164HE (1.7 GHz, 12MB Level 3 Cache, 65W)

#### Eight-Core Processors

AMD Opteron™ Processor Model 6136 (2.4 GHz, 12MB Level 3 Cache, 80W)

AMD Opteron™ Processor Model 6134 (2.3 GHz, 12MB Level 3 Cache, 80W)

AMD Opteron™ Processor Model 6128 (2.0 GHz, 12MB Level 3 Cache, 80W)

AMD Opteron™ Processor Model 6128HE (2.0 GHz, 12MB Level 3 Cache, 65W)

AMD Opteron™ Processor Model 6124HE (1.8 GHz, 12MB Level 3 Cache, 65W)

**NOTE:** Supports up to two AMD Opteron™ 6000 series Eight-Core and Twelve-Core processors.

**NOTE:** Supports DirectConnect Architecture and Power Now.

**NOTE:** Processor wattage references reflect Average CPU Power (ACP). For more information on ACP visit: <http://www.amd.com/powernow>.

---

#### Cache Memory

12MB shared L3

---

#### Chipset

AMD Chipset SR5670/SP5100

---

#### Upgradeability

Upgradeable to two processors

---

#### Memory Protection

Advanced ECC

---



# QuickSpecs

## HP ProLiant SL165z Generation 7 (G7)

### Standard Features

Memory	Type	Capacity	Configuration
One of the following depending on Model	Maximum (RDIMM)	256GB	(8 x 16GB + 16 x 8GB) using 2x8GB Dual-Rank and 1x16GB Quad-Rank PC3-8500R-7 DDR3 Registered (RDIMM) memory per memory channel, operating at 800MHz in 24 slots
	Maximum (RDIMM)	192GB	(24 x 8 GB) PC3-10600R DDR3 Registered (RDIMM) memory, operating at 800MHz when populated at 3 DIMMs per Channel in 24 slots
	Maximum (UDIMM)	64GB	(16 x 4GB) using PC3-10600E DDR3 Unbuffered (UDIMM) memory, operating at 1066MHz when populated at 2 DIMMs per Channel in 16 slots

**NOTE:** All DDR3 memory option kits consist of one DIMM per kit. For detailed memory configuration rules and guidelines, please use the Online DDR3 Memory Configuration Tool: [www.hp.com/go/ddr3memory-configurator](http://www.hp.com/go/ddr3memory-configurator).

**NOTE:** Kits described as LP include Low Power DIMMs. For more information on ProLiant Energy Efficient Features, see: <http://www.hp.com/go/proliant-energy-efficient>

**Network Controller** Two HP NC362i Integrated Dual Port Gigabit Server Adapter

**Expansion Slots** **NOTE:** Optional - PCI-Express assembly includes: Slot 1: Low-profile PCI-Express Gen2 x16 and Slot 2: low-profile PCI-Express Gen2 x4 (x8 connector) (internal only).

Expansion Slot #	Technology	Bus Width**	Connector Width	Bus Number*	Form Factor	Notes
1	PCI-Express 2.0	x16	x16	5	Low Profile	
2	PCI-Express 2.0	x4	x8	2	Low Profile, Internal Only	

\* Default bus assignment. Inserting cards with PCI bridges may alter the actual bus assignment number.

\*\* Slots are enumerated differently based on OS. MS OS's enumerate from lowest to highest Device ID by bus (starting with the lowest bus).

**Storage Controller** HP Embedded B110i SATA RAID Controller (RAID 0, 1, 10)

**NOTE:** Transfer rate: up to 3 Gb/s SATA

**NOTE:** To enable RAID on Embedded SATA, use the HP Smart Array B110i SATA RAID controller. To enable use of the B110i, enter the ROM based setup utility(RBSU). The option for enabling RAID can be found in the advanced section of the RBSU. For additional details [www.hp.com/go/SATARAID](http://www.hp.com/go/SATARAID)

**NOTE:** A diskette drive or virtual FDD using LO100i Advanced Pack is needed to install storage controller drivers during a Windows operating system installation from a CD.



# QuickSpecs

## HP ProLiant SL165z Generation 7 (G7)

### Standard Features

Storage	Diskette Drives	Via USB only
	Optical Drives	Via USB only <b>NOTE:</b> External support only.
	Hard Drives	None ship standard
	Drive Bays	Up to two 3.5" non-hot plug Serial ATA (SATA) hard drives using a quick release drive carrier Up to four 2.5" non-hot plug Serial ATA (SATA) or Solid State Drive (SSD) hard drives using a quick release drive carrier and the SFF drive cage

---

Maximum Internal Storage	Non-Hot Plug SATA 3.5"	4.0TB	2 x 2TB
	Non-Hot Plug SAS 3.5"	600GB	2 x 300GB
	Non-Hot Plug SATA 2.5"	2.0TB	4 x 500GB
	Non-Hot Plug SAS 2.5"	1.2TB	4 x 300GB
	Non-Hot Plug SSD 2.5"	1.6TB	4 x 400GB

---

Interfaces	Serial	1
	Parallel	None
	Network RJ-45 (Ethernet)	HP NC362i Integrated Dual Port Gigabit Server Adapter
	Keyboard	1
	Pointing Device (Mouse)	1
	Graphics	1
	Keyboard	1
	USB	3 (two front, one internal)

---

Industry Standard Compliance	ACPI V2.0 Compliant
	PCI 2.2 Compliant
	PXE Support
	WOL Support
	Microsoft® Logo certifications
	IPMI 2.0, SMASH CLP, DCMI 1.0 compliant

---

Server Power Cords	One 6' Highline (IEC-IEC) power cord ships standard <b>NOTE:</b> HP ProLiant DL and SL servers no longer ship standard with NEMA power cords (163719-002) that allow connection to 110V US wall outlets in a home or office. ProLiant DL servers are primarily connected to PDU's in data center racks so they now ship standard with only a PDU power cord (416151-B21).
--------------------	--

If customers require a local power cord, they can check the power cord matrix for the appropriate cord. Please see the following power cord matrix: <http://www.hp.com/go/powercordmatrix>.

---



# QuickSpecs

## HP ProLiant SL165z Generation 7 (G7)

### Standard Features

#### Common Slot Power Supplies

HP has a new design for ProLiant power-supplies. The new Common Slot (CS) Power Supply provides the customer with commonality in power supplies across multiple platforms to save on the cost of spares and allows HP to offer multiple power solutions to fit the customers' needs. Many HP ProLiant Servers come with or are compatible with high-efficiency power without degrading performance of the ProLiant server. Power Supplies have efficiency ratings up to 94%. There are five right size power options to choose from depending on the configuration of your server. To make sure you select the correct power supply to meet your configuration, please use the HP Power Advisor at: [www.hp.com/go/hppoweradvisor](http://www.hp.com/go/hppoweradvisor). All HP Common Slot power sources are UL, CE Mark Compliant, Hot Plug and Redundant.

It is highly recommended that you use the HP Power Calculator in defining the "Right-Size" power supply for your needs.

The HP ProLiant Common Slot Power supplies meet multiple Energy Efficiency Initiatives: Climate Savers Computing Initiative GOLD and ECOS Consulting 80PLUS GOLD for the 460w and 750w Power Supplies and Climate Savers Computing Initiative PLATINUM, ECOS Consulting 80PLUS PLATINUM for 1200w Power Supply. HP worked with the EPA on developing an ENERGY STAR Computer Server specification and we now offer models that meet the requirements. Please visit the ENERGY STAR website at: [www.energystar.gov](http://www.energystar.gov) for a list of qualified platforms. Optional power supplies can be purchased through power supply option kits (see Power Supply Options for part numbers).

---

#### System Fans

3 system fans ship standard in z6000 chassis

---

#### Required Cabling

For required cabling information, refer to the HP Web site at: [www.hp.com/servers/sl165z](http://www.hp.com/servers/sl165z).

---

#### Operating Systems and Virtualization Software Support for ProLiant Servers

[Microsoft Windows Server](#)  
[Red Hat Enterprise Linux \(RHEL\)](#)  
[SUSE Linux Enterprise Server \(SLES\)](#)  
[Solaris](#)  
[VMware](#)  
[Citrix Essentials for XenServer \(Retail\)](#)

**NOTE:** For more information on HP's Certified and Supported ProLiant Servers for OS and Virtualization Software and latest listing of software drivers available for your server, please visit our Support Matrix at: <http://www.hp.com/go/ossupport>

---

#### Graphics

32MB shared supporting 1600x1200x16M resolution

---

#### Form Factor

HP ProLiant z6000 G6 Chassis - 2U Chassis  
**NOTE:** Can support two SL165z server trays in the 2U chassis.  
HP ProLiant SL165z G6 Server - 1U server tray



# QuickSpecs

## HP ProLiant SL165z Generation 7 (G7)

### Standard Features

#### Embedded Manageability HP LO100 Advanced

HP Lights-Out 100 with Optional LO100 Advanced Licenses for Virtual KVM and Virtual Media.

#### Standard Features:

- Embedded IPMI standard reporting
- System event log access
- Remote Serial console (serial redirection)
- Browser, Telnet access
- SMASH-CLP compliant
- IPMI 2.0 compliant
- Secure Socket Layer (SSL) Encryption
- Secure Shell (SSH) Encryption

#### Licensed Features:

- Virtual media (Floppy, CD, USB 2.0)
- Virtual KVM

---

#### Security

Power-on password  
Setup password  
Diskette boot control  
Secure Sockets Layer (SSL)  
Secure Shell (SSH)

---

#### Warranty

This product is covered by a global limited warranty and supported by HP Services and a worldwide network of HP Authorized Channel Partners. Hardware diagnostic support and repair is available for one year from date of purchase. Support for software and initial setup is available for 90 days from date of purchase. Enhancements to warranty services are available through HP Care Pack services or customized service agreements. Hard drives have either a one year or three year warranty.

**NOTE:** Server Warranty includes 1 year Parts, 1 year labor, and 1 year on-site service. Warranty repairs may be accomplished through the use of Customer Self Repair (CSR) parts. These parts fall into two categories: 1) Mandatory CSR parts are designed for easy replacement. A travel and labor charge will result when customers decline to replace a Mandatory CSR part; 2) Optional CSR parts are also designed for easy replacement but may involve added complexity. Customers may choose to have HP replace Optional CSR parts at no charge. Additional information regarding worldwide limited warranty and technical support is available at:

<http://h18004.www1.hp.com/products/servers/platforms/warranty/index.html>.



# QuickSpecs

## HP ProLiant SL165z Generation 7 (G7)

### Optional Features

#### HP Insight Control management software

#### HP Insight Control for Linux

HP Insight Control for Linux (IC-Linux), as a product option, delivers essential lifecycle management that can help save time and money by integrating discovery, server deployment, firmware updates & provisioning, health & performance management, remote management, and virtualization. This makes it easy to optimize your IT infrastructure through a single, simple management console. The IC-Linux suite installs and licenses software modules that are integrated into HP System Insight Manager (HP SIM).

HP Insight Control for Linux serves environments requiring a Linux-based management console. See [www.hp.com/go/ic-linux](http://www.hp.com/go/ic-linux).

HP Insight Control for Linux includes one year of 24 x 7 HP Software Technical Support and Update Service ensuring rapid access to HP support staff and proactive delivery of software updates. For more information about this service, please visit: <http://www.hp.com/services/insight>

#### HP Insight Control server deployment

HP Insight Control server deployment is an optional deployment solution for HP ProLiant and Integrity servers hosted on a Windows CMS. It automates the process of deploying and provisioning server software, enabling companies to quickly and easily adapt to changing business demands. Insight Control server deployment includes software optimizations for HP servers, including the HP scripting toolkits, configuration jobs for leading industry-standard operating systems, sample unattended files, and HP server support packs that include software drivers, management agents, and important documentation. Deploying servers can be accomplished either through imaging or through scripting.

Insight Control server deployment is hosted on a Windows server and is intended for heterogeneous environments deploying Windows, Linux, VMware ESX and Microsoft Hyper-V systems.

Insight Control server deployment includes one year of 24 x 7 HP Software Technical Support and Update Service ensuring rapid access to HP support staff and proactive delivery of software updates. For more information about this service, please visit: <http://www.hp.com/services/insight>



# QuickSpecs

## HP ProLiant SL165z Generation 7 (G7)

### Optional Features

#### High Performance Clusters

##### HP Cluster Platforms

HP Cluster Platforms are specifically engineered, factory-integrated large-scale ProLiant clusters optimized for High Performance Computing, with a choice of servers, networks and software. Operating system options include specially priced offerings for Red Hat Enterprise Linux and Novell SLES, as well as Microsoft Windows HPC Server. A Cluster Platform Configurator simplifies ordering. <http://www.hp.com/go/clusters>.

##### HP HPC Interconnects

High Performance Computing (HPC) interconnect technologies are available for this server as part of the HP Cluster Platform portfolio. These high-speed InfiniBand and Gigabit interconnects are fully supported by HP when integrated within an HP cluster. Flexible, validated solutions can be defined with the help of configuration tools. <http://www.hp.com/techservers/clusters/ucp/index.html>

##### HP Cluster Management Utility

HP Cluster Management Utility (CMU) is an HP-licensed and HP-supported suite of tools that are used to manage large-scale Linux ProLiant systems. CMU includes software for the centralized provisioning, management and monitoring of nodes. CMU makes the administration of clusters user friendly, efficient, and effective. <http://www.hp.com/go/cmu>

##### HP HPC Linux Value Pack

HP HPC Linux Value Pack (Value Pack) is an HP-licensed and HP-supported specially priced software bundle for the development and deployment of applications on HPC Cluster Platforms. Value Pack includes the Platform HPC Enterprise Edition suite of tools including the LSF workload scheduler, the HP-MPI parallelization library. Also included are the HP Unified Parallel C compiler and the HP Shmem library, as well as the execution environments for the libraries and compiler. [HP HPC Linux Value Pack](#)

#### Factory Express Portfolio for Servers and Storage

HP Factory Express offers configuration, customization, integration and deployment services for HP servers and storage products. Customers can choose how their factory solutions are built, tested, integrated, shipped and deployed.

Factory Express offers service packages for simple configuration, racking, installation, complex configuration and design services as well as individual factory services, such as image loading, asset tagging, and custom packaging. HP products supported through Factory Express include a wide array of servers and storage: HP Integrity, HP ProLiant, HP ProLiant Server Blades, HP BladeSystem, HP 9000 servers as well as the MSAxxx, VA7xxx, EVA, XP, rackable tape libraries and configurable network switches.

For more information on Factory Express services for your specific server model please contact your sales representative or go to: <http://www.hp.com/go/factory-express>.

#### HP Enterprise Configurator

The HP eConfigure Enterprise Configurator now provides factory default racking for our HP hardware portfolio. This approach is aligned with our strategic direction to meet the needs and expectations of our valued customers. If you require "custom" rack configuration, please contact HP's Customer Business Center or an Authorized Partner for assistance.





# QuickSpecs

HP ProLiant SL165z Generation 7 (G7)

## Service and Support

**NOTE:** HP Care Pack services are offered at enclosure level only.

### Service and Support

#### HP Technology Services for Industry Standard Servers and BladeSystem

Capitalizing on HP ProLiant server and HP BladeSystem capabilities requires a service partner who understands your increasingly complex business technology environment. That's why it makes sense to team up with the people who know HP infrastructure hardware and software best - the experienced professionals at HP Services.

#### What HP ProLiant and BladeSystem Services can do for you

HP ProLiant and BladeSystem Services can help you design, deploy, test, integrate, support, and manage IT and infrastructure solutions. This way, HP proposes services solutions that include more than just uplift of base warranty. You can get the support you need by choosing from one of a number of service packaged solutions we have designed to address wider set of customer support needs:

HP Technology Services meets business challenges with services offered in three packages - **Optimized Care Package, Standard Care Package, and Basic Care Package** - available for each product group. Such packaged solutions enable customers to optimize technology operations, minimize risk and drive better business outcomes with easy-to-buy, easy-to-use scalable support packages for servers, storage, networking and software.

---

### Optimized Care

**Optimized Care Package: Supports maintaining servers at optimum performance availability**

#### HP ProLiant Server Hardware Installation

Provides for the basic hardware installation of HP branded servers, storage devices and networking options to assist you in bringing your new hardware into operation in a timely and professional manner <http://h20195.www2.hp.com/V2/GetPDF.aspx/5981-9356EN>

#### HP Installation and Startup for Insight Control Software

Provides for the deployment and basic configuration of HP Insight Control on HP ProLiant ML and DL series servers or HP BladeSystem servers <http://h20195.www2.hp.com/v2/GetPDF.aspx/4AA0-9972ENW.pdf>

#### 3-Year HP Critical Advantage

Provides end-to-end infrastructure support solution for business critical applications running on virtualized/x86 infrastructures, enabling the customers to cost effectively build, operate, and continuously improve their IT environment

<http://h20195.www2.hp.com/V2/GetDocument.aspx?docname=4AA3-1772ENW>

**Additional Services:** Data Center Transformation Service

---



### Service and Support

#### Standard Care

**Standard Care Package:** Package that maintains high level of server availability

##### **HP ProLiant Server Hardware Installation**

Provides for the basic hardware installation of HP branded servers, storage devices and networking options to assist you in bringing your new hardware into operation in a timely and professional manner <http://h20195.www2.hp.com/V2/GetPDF.aspx/5981-9356EN>

##### **HP Installation and Startup for Insight Control Software**

Provides for the deployment and basic configuration of HP Insight Control on HP ProLiant ML and DL series servers or HP BladeSystem servers <http://h20195.www2.hp.com/v2/GetPDF.aspx/4AA0-9972ENW.pdf>

##### **3-Year HP 6 hour Hardware Support Onsite Call-to-Repair Service**

Provides an IT manager with a team of support specialists who will quickly begin troubleshooting the system to help return the hardware to operating condition within 6 hours of the initial service request to the HP Global Solution Center

<http://h20195.www2.hp.com/V2/GetPDF.aspx/5982-6547EN.pdf>

##### **3-Year , HP 24x7 Software Support for Insight Control**

Provides for the deployment and basic configuration of HP Insight Control on HP ProLiant ML and DL series servers or HP BladeSystem servers

<http://h20195.www2.hp.com/V2/GetPDF.aspx/5981-6645EEE.pdf>

**Additional Services:** Software OS (Microsoft, Linux (SUSE/Red Hat) & VMware Installation & Start Up and Software Support); Microsoft or Linux or VMware education courses; +60 Proactive Select Credits

---

#### Basic Care

**Basic Care Package:** delivers minimum recommended support service level

##### **HP ProLiant Server Hardware Installation**

Provides for the basic hardware installation of HP branded servers, storage devices and networking options to assist you in bringing your new hardware into operation in a timely and professional manner <http://h20195.www2.hp.com/V2/GetPDF.aspx/5981-9356EN>

##### **HP Installation and Startup for Insight Control Software**

Provides for the deployment and basic configuration of HP Insight Control on HP ProLiant ML and DL series servers or HP BladeSystem servers <http://h20195.www2.hp.com/v2/GetPDF.aspx/4AA0-9972ENW.pdf>

##### **3-Year HP 24x7 4 hour Response, Hardware Support Onsite Service**

Provides for the deployment and basic configuration of HP Insight Control on HP ProLiant ML and DL series servers or HP BladeSystem servers <http://h20195.www2.hp.com/v2/GetPDF.aspx/4AA0-9972ENW.pdf>

<http://h20195.www2.hp.com/v2/GetPDF.aspx/4AA0-9972ENW.pdf>

##### **3-Year , HP 24x7 Software Support for Insight Control**

Provides for the deployment and basic configuration of HP Insight Control on HP ProLiant ML and DL series servers or HP BladeSystem servers

<http://h20195.www2.hp.com/V2/GetPDF.aspx/5981-6645EEE.pdf>

**Additional Services:** Software OS (Microsoft, Linux (SUSE/Red Hat) & VMware Installation & Start Up and Software Support); +30 Proactive Select Credits, Factory Express



# QuickSpecs

HP ProLiant SL165z Generation 7 (G7)

---

## Service and Support

---

**Insight Remote Support** The packages include HP Insight Remote Support that uses proven technology to deliver secure, reliable 24x7 remote monitoring, diagnoses, and problem resolution. It is available at no additional cost to all warranty, HP Care Pack Service, and service agreement customers.

---

**For more information** To learn more on HP ProLiant servers and HP BladeSystem servers, please contact your HP sales representative or HP Authorized Channel Partner. Or visit: <http://www.hp.com/services/proliant>



# QuickSpecs

## HP ProLiant SL165z Generation 7 (G7)

### Configuration Information - Factory Integrated Models

**NOTE:** This section lists some of the steps required to configure a Factory Integrated Model. To ensure only valid configurations are ordered, HP recommends the use of an HP approved configurator. Contact your local sales representative for information on configurable product offerings and requirements.

**NOTE:** Configure-to-order (CTO) servers must start with a CTO Chassis.

**NOTE:** FIO indicates that this option is only available as a factory installable option.

#### Step 1: Base Configuration (choose one from each list unless otherwise noted)

HP Chassis	HP ProLiant z6000 G6 2U Configure-to-order Chassis <b>NOTE:</b> ships with 2U chassis and 3 fans.	538080-B21
HP Server Node	HP ProLiant SL165z G7 Node Tray Server <b>NOTE:</b> It is required that 2 server trays be purchased. <b>NOTE:</b> Each SL165z tray has 1 system board.	592023-B21
HP Rail Kits	HP ProLiant z6000 G6 1U/2U E-L Servers Rail Kit <b>NOTE:</b> 2U rail kit used for HP or 3rd part racks - allows addition of one z6000 chassis at a time.	570226-B21
	HP ProLiant z6000 G6 5 Shelf 10U Bulk Rail Kit <b>NOTE:</b> 10U rail kit used for HP racks ONLY - allows addition of five z6000 chassis at a time.	570227-B21
HP Power Supplies	<b>NOTE:</b> Prior to making a power supply selection it is highly recommended that the HP Power Advisor is run to determine the right size power supply for your server configuration. The HP Power Advisor is located at: <a href="http://www.hp.com/go/hppoweradvisor">www.hp.com/go/hppoweradvisor</a>	
	HP 460W Common Slot Gold Hot Plug Power Supply Kit	503296-B21
	HP 460W Common Slot Platinum Hot Plug Power Supply Kit	593188-B21
	HP 750W Common Slot Platinum Hot Plug Power Supply Kit	593831-B21
	HP 750W Common Slot Gold Hot Plug Power Supply Kit	512327-B21
	HP 1200W Common Slot Silver Hot Plug Power Supply Kit	500172-B21
	HP 1200W Common Slot Platinum Hot Plug Power Supply Kit	578322-B21

#### Step 2: Choose Required Options (only one of the following from each list unless otherwise noted)

HP Processors	<b>Twelve-Core Processors</b> <b>NOTE:</b> If 2 processors are desired, select one xxxx-L21 and one xxxxx-B21.	
	HP SL165z G7 AMD Opteron™ 6176SE (2.3GHz/12-core/12MB/140W) FIO Processor Kit	592052-L21
	HP SL165z G7 AMD Opteron™ 6174 (2.2GHz/12-core/12MB/115W) FIO Processor Kit	592054-L21
	HP SL165z G7 AMD Opteron™ 6172 (2.1GHz/12-core/12MB/115W) FIO Processor Kit	592056-L21
	HP SL165z G7 AMD Opteron™ 6168 (1.9GHz/12-core/12MB/115W) FIO Processor Kit	592062-L21
	HP SL165z G7 AMD Opteron™ 6164HE (1.7GHz/12-core/12MB/85W) FIO Processor Kit	592071-L21
	<b>Eight-Core Processors</b>	
	HP SL165z G7 AMD Opteron™ 6136 (2.4GHz/8-core/12MB/115W) FIO Processor Kit	592064-L21



# QuickSpecs

## HP ProLiant SL165z Generation 7 (G7)

### Configuration Information - Factory Integrated Models

HP SL165z G7 AMD Opteron™ 6134 (2.3GHz/8-core/12MB/115W) FIO Processor Kit	592066-L21
HP SL165z G7 AMD Opteron™ 6128 (2.0GHz/8-core/12MB/115W) FIO Processor Kit	592069-L21
HP SL165z G7 AMD Opteron™ 6128HE (2.0GHz/8-core/12MB/85W) FIO Processor Kit	595608-L21
HP SL165z G7 AMD Opteron™ 6124HE (1.8GHz/8-core/12MB/85W) FIO Processor Kit	595610-L21

### HP Memory

#### Registered DIMMs (RDIMMs)

HP 2GB (1x2GB) Dual Rank x8 PC3-10600 (DDR3-1333) Registered CAS-9 Memory Kit	593907-B21
HP 4GB (1x4GB) Single Rank x4 PC3-10600 (DDR3-1333) Registered CAS-9 Memory Kit	593911-B21
HP 4GB (1x4GB) Single Rank x4 PC3L-10600 (DDR3-1333) Registered CAS-9 Low Power Memory Kit	604500-B21
HP 8GB (1x8GB) Dual Rank x4 PC3L-10600 (DDR3-1333) Registered CAS-9 Low Power Memory Kit	604502-B21
HP 8GB (1x8GB) Dual Rank x4 PC3-10600 (DDR3-1333) Registered CAS-9 Memory Kit	593913-B21
HP 16GB (1x16GB) Quad Rank x4 PC3-8500 (DDR3-1066) Registered CAS-7 Memory Kit	593915-B21

#### Unbuffered with ECC DIMMs (UDIMMs)

HP 2GB (1x2GB) Dual Rank x8 PC3-10600 (DDR3-1333) Unbuffered CAS-9 Memory Kit	593921-B21
HP 4GB (1x4GB) Dual Rank x8 PC3-10600 (DDR3-1333) Unbuffered CAS-9 Memory Kit	593923-B21

**NOTE:** All DDR3 memory option kits consist of one DIMM per kit. For detailed memory configuration rules and guidelines, please use the Online DDR3 Memory Configuration Tool: [www.hp.com/go/ddr3memory-configurator](http://www.hp.com/go/ddr3memory-configurator).

**NOTE:** Kits described as LP include Low Power DIMMs. For more information on ProLiant Energy Efficient Features, see: <http://www.hp.com/go/proliant-energy-efficient>

**NOTE:** There is a maximum support limitation of 8 ranks per memory channel (maximum of 2 quad rank DIMMs per channel)

**NOTE:** PC3L is a low voltage memory.



# QuickSpecs

## HP ProLiant SL165z Generation 7 (G7)

### Configuration Information - Factory Integrated Models

Storage Controllers	HP Smart Array P212/256 BBWC 1-ports Int/1-ports Ext PCIe x8 FIO SAS Controller <b>NOTE:</b> HP P212 SAS 4HDD Cable Kit is required when adding SAS hard drives using the P212 controller (574001-B21) <b>NOTE:</b> HP z6000 BBWC HDWR KIT is required when adding BBWC (582653-B21)	491191-B21
	HP Smart Array P410/ZM 2-ports Int PCIe x8 FIO SAS Controller <b>NOTE:</b> HP P410 SAS 4HDD Cable Kit is required when adding SAS hard drives using the P410 controller (583997-B21)	462860-B21
	HP Smart Array P410/256 BBWC 2-ports Int PCIe x8 FIO SAS Controller <b>NOTE:</b> HP P410 SAS 4HDD Cable Kit is required when adding SAS hard drives using the P410 controller (583997-B21) <b>NOTE:</b> HP z6000 BBWC HDWR KIT is required when adding BBWC (582653-B21)	491195-B21
	HP Smart Array P411/256 BBWC 2-ports Ext PCIe x8 FIO SAS Controller <b>NOTE:</b> HP z6000 BBWC HDWR KIT is required when adding BBWC (582653-B21)	491193-B21

### Step 3: Choose Additional Options for Factory Integration

HP Insight Software	HP Insight Control for Linux including 1yr 24x7 Support ML/DL Bundle 1 Server FIO License	TC203A
---------------------	---	--------

**NOTE:** For additional options, please refer to the "Core Options" and "Additional Options" section below.



# QuickSpecs

## HP ProLiant SL165z Generation 7 (G7)

### Core Options

**NOTE:** Some options may not be available for factory integration. Please contact an HP sales representative for additional information.

<b>HP Unique Options</b>	HP Dedicated Management Port Kit	516006-B21
	HP SL160/170 G6 x16 Input/Output Riser Kit	574806-B21
	HP SL160z G6 X4 PCI-E Riser Kit	571408-B21
	HP DL165 G7 Secure Card Reader Module Option Kit	592710-B21
	HP Internal USB Cable G6 Kit	536769-B21
	HP z6000 P212 SAS 4 Hard Drive Power Cable Kit	574001-B21
	<b>NOTE:</b> This is required when adding SAS hard drives using the P212 controller.	
	HP z6000 P410 SAS 4 Hard Drive Power Cable Kit	583997-B21
	<b>NOTE:</b> This is required when adding SAS hard drives using the P410 controller.	
	HP z6000 Battery Back Write Cache Hardware Kit	582653-B21
	<b>NOTE:</b> This is required when adding BBWC.	
	HP z6000 Small Form Factor 2 Drive Cage Kit	582657-B21
	<b>NOTE:</b> This is required when adding SFF (2.5") SSD or hard drives.	

### HP Processor

#### Twelve-Core Processors

HP SL165z G7 AMD Opteron™ 6176SE (2.3GHz/12-core/12MB/140W) Processor Kit	592052-B21
HP SL165z G7 AMD Opteron™ 6174 (2.2GHz/12-core/12MB/115W) Processor Kit	592054-B21
HP SL165z G7 AMD Opteron™ 6172 (2.1GHz/12-core/12MB/115W) Processor Kit	592056-B21
HP SL165z G7 AMD Opteron™ 6168 (1.9GHz/12-core/12MB/115W) Processor Kit	592062-B21
HP SL165z G7 AMD Opteron™ 6164HE (1.7GHz/12-core/12MB/85W) Processor Kit	592071-B21

#### Eight-Core Processors

HP SL165z G7 AMD Opteron™ 6136 (2.4GHz/8-core/12MB/115W) Processor Kit	592064-B21
HP SL165z G7 AMD Opteron™ 6134 (2.3GHz/8-core/12MB/115W) Processor Kit	592066-B21
HP SL165z G7 AMD Opteron™ 6128 (2.0GHz/8-core/12MB/115W) Processor Kit	592069-B21
HP SL165z G7 AMD Opteron™ 6128HE (2.0GHz/8-core/12MB/85W) Processor Kit	595608-B21
HP SL165z G7 AMD Opteron™ 6124HE (1.8GHz/8-core/12MB/85W) Processor Kit	595610-B21



# QuickSpecs

## HP ProLiant SL165z Generation 7 (G7)

### Core Options

#### HP Memory

##### Registered DIMMs (RDIMMs)

HP 2GB (1x2GB) Dual Rank x8 PC3-10600 (DDR3-1333) Registered CAS-9 Memory Kit	593907-B21
HP 4GB (1x4GB) Single Rank x4 PC3-10600 (DDR3-1333) Registered CAS-9 Memory Kit	593911-B21
HP 4GB (1x4GB) Single Rank x4 PC3L-10600 (DDR3-1333) Registered CAS-9 Low Power Memory Kit	604500-B21
HP 8GB (1x8GB) Dual Rank x4 PC3L-10600 (DDR3-1333) Registered CAS-9 Low Power Memory Kit	604502-B21
HP 8GB (1x8GB) Dual Rank x4 PC3-10600 (DDR3-1333) Registered CAS-9 Memory Kit	593913-B21
HP 16GB (1x16GB) Quad Rank x4 PC3-8500 (DDR3-1066) Registered CAS-7 Memory Kit	593915-B21

##### Unbuffered with ECC DIMMs (UDIMMs)

HP 2GB (1x2GB) Dual Rank x8 PC3-10600 (DDR3-1333) Unbuffered CAS-9 Memory Kit	593921-B21
HP 4GB (1x4GB) Dual Rank x8 PC3-10600 (DDR3-1333) Unbuffered CAS-9 Memory Kit	593923-B21

**NOTE:** All DDR3 memory option kits consist of one DIMM per kit. For detailed memory configuration rules and guidelines, please use the [Online DDR3 Memory Configuration Tool: www.hp.com/go/ddr3memory-configurator](http://www.hp.com/go/ddr3memory-configurator).

**NOTE:** Kits described as LP include Low Power DIMMs. For more information on ProLiant Energy Efficient Features, see: <http://www.hp.com/go/proliant-energy-efficient>

**NOTE:** There is a maximum support limitation of 8 ranks per memory channel (maximum of 2 quad rank DIMMs per channel)

**NOTE:** PC3L is a low voltage memory.

#### HP Hard Drives

**NOTE:** The components of a storage subsystem (e.g. the drive, the HBA/controller, firmware, and the server backplane) should operate at the same data transfer rate or the system bandwidth will be negotiated down to an acceptable level for all components.

**NOTE:** Hard drives have either a one year or three year warranty.

**NOTE:** The hard drives use a quick release carrier.

**NOTE:** One 2 Drive SFF Drive Cage (582657-B21) is required when installing 2 SFF drives.

**NOTE:** When adding SAS one of the following cable kits needs to be ordered depending on which SAS controller installing - HP P212 SAS 4HDD Cable Kit 574001-B21 or HP P410 SAS 4HDD Cable Kit 583997-B21.

##### SAS Non-Hot Plug LFF (2.5-inch) Enterprise Mainstream Drives - with quick-release (QR) carrier

HP 400GB 3G SATA MLC SFF (2.5-inch) Quick-release Enterprise Mainstream 3yr Wty Solid State Drive	636625-B21
HP 200GB 3G SATA MLC SFF (2.5-inch) Quick-release Enterprise Mainstream 3yr Wty Solid State Drive	636623-B21
HP 100GB 3G SATA MLC SFF (2.5-inch) Quick-release Enterprise Mainstream 3yr Wty Solid State Drive	636621-B21





# QuickSpecs

## HP ProLiant SL165z Generation 7 (G7)

### Core Options

<b>SAS Non-Hot Plug LFF (3.5-inch) Enterprise (ENT) Drives - with quick-release (QR) carrier</b>	
HP 600GB 6G SAS 15K rpm LFF (3.5-inch) Quick-release Dual Port Enterprise 3yr Warranty Hard Drive	574758-B21
HP 300GB 6G SAS 15K rpm LFF (3.5-inch) Quick-release Dual Port Enterprise 3yr Warranty Hard Drive	585980-B21
<b>SAS Non-Hot Plug SFF (2.5-inch) Enterprise (ENT) Drives - with quick-release (QR) carrier</b>	
HP 300GB 6G SAS 10K rpm SFF (2.5-inch) Quick-release Dual Port Enterprise 3yr Warranty Hard Drive	574879-B21
<b>SAS Non-Hot Plug LFF (3.5-inch) Midline (MDL) Drives - with quick-release (QR) carrier</b>	
HP 2TB 6G SAS 7.2K rpm LFF (3.5-inch) Quick-release Dual Port Midline 1yr Warranty Hard Drive	574761-B21
<b>SATA Non-Hot Plug LFF (3.5-inch) Entry (ETY) Drives - with quick-release (QR) carrier</b>	
HP 160GB 3G SATA 7.2K rpm LFF (3.5-inch) Quick-release Entry 1yr Warranty Hard Drive	574021-B21
<b>SATA Non-Hot Plug LFF (3.5-inch) Midline (MDL) Drives - with quick-release (QR) carrier</b>	
HP 2TB 3G SATA 7.2K rpm LFF (3.5-inch) Quick-release Midline 1yr Warranty Hard Drive	574755-B21
HP 1TB 3G SATA 7.2K rpm LFF (3.5-inch) Quick-release Midline 1yr Warranty Hard Drive	574025-B21
HP 500GB 3G SATA 7.2K rpm LFF (3.5-inch) Quick-release Midline 1yr Warranty Hard Drive	574023-B21
<b>SATA Non-Hot Plug SFF (2.5-inch) Midline (MDL) Drives - with quick-release (QR) carrier</b>	
HP 1TB 3G SATA 7.2K rpm SFF (2.5-inch) Quick-release Midline 1yr Warranty Hard Drive	627632-B21
HP 500GB 3G SATA 7.2K rpm SFF (2.5-inch) Quick-release Midline 1yr Warranty Hard Drive	574953-B21



# QuickSpecs

## HP ProLiant SL165z Generation 7 (G7)

### Core Options

#### HP Networking

##### Gigabit Ethernet Adapters

HP NC112T PCI Express Gigabit Server Adapter	503746-B21
HP NC360T PCI-E Dual Port Gigabit Server Adapter	412648-B21
HP NC365T 4-port Ethernet Server Adapter	593722-B21
HP NC373F PCI-E Multifunction 1000SX Gigabit Svr Adapter	394793-B21
HP NC373T PCI-E Multifunction Gigabit Server Adapter	394791-B21
HP NC375T PCI Express Quad Port Gigabit Server Adapter	538696-B21
HP NC382T PCI Express Dual Port Multifunction Gigabit Server Adapter	458492-B21

##### 10 Gigabit Ethernet Adapters

**NOTE:** A minimum of two Gigabytes (2 GB) of server memory is required per each NC522SFP adapter.

**NOTE:** Direct Attach Cable (DAC) for copper environments or fiber transceivers and cables for fiber-optic environments must be purchased separately.

HP NC522SFP Dual Port 10GbE Gigabit Server Adapter	468332-B21
HP NC523SFP 10Gb 2-port Server Adapter	593717-B21
HP NC550SFP Dual Port 10GbE Server Adapter	581201-B21
HP NC552SFP 10Gb 2-port Ethernet Server Adapter	614203-B21

**NOTE:** Please see the QuickSpecs for Technical Specifications and additional information: [www.hp.com/go/ProLiantNICs](http://www.hp.com/go/ProLiantNICs)

#### HP InfiniBand

HP InfiniBand 4X QDR ConnectX-2 PCIe G2 Dual Port HCA	592520-B21
QLogic InfiniBand 4X QDR PCI-E G2 Dual Port HCA	583211-B21

**NOTE:** Please see the QuickSpecs for additional information: [http://h18000.www1.hp.com/products/quickspecs/13078\\_div/13078\\_div.html](http://h18000.www1.hp.com/products/quickspecs/13078_div/13078_div.html)

#### HP Power Supplies

**NOTE:** Prior to making a power supply selection it is highly recommended that the HP Power Advisor is run to determine the right size power supply for your server configuration. The HP Power Advisor is located at: [www.hp.com/go/hppoweradvisor](http://www.hp.com/go/hppoweradvisor)

HP 460W Common Slot Gold Hot Plug Power Supply Kit	503296-B21
HP 460W Common Slot Platinum Hot Plug Power Supply Kit	593188-B21
HP 750W Common Slot Platinum Hot Plug Power Supply Kit	593831-B21
HP 750W Common Slot Gold Hot Plug Power Supply Kit	512327-B21
HP 1200W Common Slot Silver Hot Plug Power Supply Kit	500172-B21
HP 1200W Common Slot Platinum Hot Plug Power Supply Kit	578322-B21



# QuickSpecs

## HP ProLiant SL165z Generation 7 (G7)

### Additional Options

#### HP Insight Software

#### HP Insight Control for Linux

HP Insight Control for Linux including 1yr 24x7 Support Electronic License

TC213AAE

HP Insight Control for Linux including 1yr 24x7 Support Single Server License

TC209A

HP Insight Control for Linux Media Kit

TC208A

**NOTE:** Licenses ship without media. The Media Kit for Insight Control for Linux can be ordered separately, or can be downloaded at: <http://www.hp.com/go/ic-linux> (click on Download button).

**NOTE:** Electronic licenses can be used to purchase multiple licenses with a single activation key, and are available in all countries except China and Japan. Customers in China and Japan should order the physical equivalent.

**NOTE:** Customer will receive a license entitlement certificate, which must be redeemed online or via fax in order to obtain the license activation key(s). Includes one year of 24 x 7 HP Software Technical Support Service.

**NOTE:** For additional License Kits, including electronic licensing options, please see the QuickSpecs at:

[http://h18000.www1.hp.com/products/quickspecs/13019\\_div/13019\\_div.html](http://h18000.www1.hp.com/products/quickspecs/13019_div/13019_div.html)

#### High Performance Clusters

#### HP Cluster Management Utility

HP Cluster Management Utility Flexible License

QL803A

**NOTE:** This part number can be used to purchase one certificate for multiple licenses with a single activation key. Each license is for one node (server). Customer will receive a printed end user license agreement and license entitlement certificate via physical shipment. The license entitlement certificate must be redeemed online in order to obtain a license key.

HP Cluster Management Utility Media

433257-B21

**NOTE:** Order a minimum of one license per cluster to purchase media including software and documentation, which will be delivered to the customer, and also licenses CMU management. No license key is delivered or required.

**NOTE:** For additional license kits please see the QuickSpecs at:

[http://h18004.www1.hp.com/products/quickspecs/12612\\_div/12612\\_div.html](http://h18004.www1.hp.com/products/quickspecs/12612_div/12612_div.html)

#### HP HPC Linux Value Pack

HP High Performance Computing Linux Value Pack 1 Processor Flexible License

TC293B

**NOTE:** This part number can be used to purchase one certificate for multiple licenses with a single activation key. Each license is for one socket (a.k.a. processor).

Customer will receive a printed end user license agreement and license entitlement certificate via physical shipment. The license entitlement certificate must be redeemed online in order to obtain a license key.

HP High Performance Computing Linux Value Pack Media Kit

TC294A

**NOTE:** This part number can be used to purchase media including software and documentation, which will be delivered to the customer.

**NOTE:** For additional license kits please see the QuickSpecs at:

[http://h18004.www1.hp.com/products/quickspecs/13485\\_div/13485\\_div.html](http://h18004.www1.hp.com/products/quickspecs/13485_div/13485_div.html)



# QuickSpecs

## HP ProLiant SL165z Generation 7 (G7)

### Additional Options

HP Rail Options	HP SL Universal Switch Rail Kit <b>NOTE:</b> This kit allows you to install HP or 3rd party switch in the same rack as SL6000.	592774-B21
-----------------	---	------------

HP Security	HP Trusted Platform Module Option <b>NOTE:</b> The TPM (Trusted Platform Module) is a microcontroller chip that can securely store artifacts used to authenticate the server platform. These artifacts can include passwords, certificates and encryption keys. Windows® BitLocker™ Drive Encryption (BitLocker) is a data protection feature available in Windows Server® 2008. BitLocker leverages the enhanced security capabilities of a Trusted Platform Module (TPM) version 1.2. The TPM works with BitLocker to help protect user data and to ensure that a server running Windows Server 2008 has not been tampered with while the system was offline. For more information about TPM, including a white paper, go to: <a href="http://www.hp.com/go/TPM">www.hp.com/go/TPM</a> . <b>NOTE:</b> ProLiant OS pre-installed units will come with the partition required for TPM deployment. <b>NOTE:</b> The TPM key is unique to every TPM deployed server and must be retained. Misplacing or losing the key could result in data loss.	488069-B21
-------------	--	------------

HP Storage Controllers	<b>SAS Controllers</b>	
	<b>Smart Array P212 Controller</b>	
	<b>NOTE:</b> HP P212 SAS 4HDD Cable Kit is required when adding SAS hard drives using the P212 controller (574001-B21)	
	HP Smart Array P212/ZM 1-ports Int/1-ports Ext PCIe x8 SAS Controller	462828-B21
	HP Smart Array P212/256 1-ports Int/1-ports Ext PCIe x8 SAS Controller	462834-B21
	<b>Smart Array P410 Controller</b>	
	<b>NOTE:</b> HP P410 SAS 4HDD Cable Kit is required when adding SAS hard drives using the P410 controller (583997-B21)	
	HP Smart Array P410/256 2-ports Int PCIe x8 SAS Controller	462862-B21
	HP Smart Array P410/512 BBWC 2-ports Int PCIe x8 SAS Controller	462864-B21
	HP Smart Array P410/512 FBWC 2-ports Int PCIe x8 SAS Controller	578230-B21
	HP Smart Array P410/1G FBWC 2-ports Int PCIe x8 SAS Controller	572532-B21
	<b>Smart Array P411 Controller</b>	
	HP Smart Array P411/256 2-ports Ext PCIe x8 SAS Controller	462830-B21
	HP Smart Array P411/512 BBWC 2-ports Ext PCIe x8 SAS Controller	462832-B21
	HP Smart Array P411/512 FBWC 2-ports Ext PCIe x8 SAS Controller	578229-B21
	HP Smart Array P411/1G FBWC 2-ports Ext PCIe x8 SAS Controller	572531-B21
	<b>Optional Upgrades</b>	
<b>NOTE:</b> HP z6000 BBWC HDWR KIT is required when adding BBWC (582653-B21)		
HP 256MB P-series Cache Upgrade <b>NOTE:</b> Supported on HP Smart Array P212 Controller only.	462968-B21	
HP 512MB P-Series Battery Backed Write Cache Upgrade <b>NOTE:</b> Supported on HP Smart Array P410 Controller and HP Smart Array P411 Controller only.	462967-B21	



# QuickSpecs

## HP ProLiant SL165z Generation 7 (G7)

### Additional Options

HP 650 mAh P-Series Battery	462969-B21
<b>NOTE:</b> To enable BBWC on the 256MB cache.	
<b>NOTE:</b> Supported on HP Smart Array P212 Controller, HP Smart Array P410 Controller, and HP Smart Array P411 Controller only.	
HP 512MB Flash Backed Write Cache	534916-B21
HP 1GB Flash Backed Cache	534562-B21
HP Smart Array Advanced Pack including 1yr 24x7 Technical Support and Updates Single Server License	516471-B21
<b>NOTE:</b> Please see the following QuickSpecs for Technical Specifications and additional information:	
<a href="http://h18000.www1.hp.com/products/quickspecs/13203_div/13203_div.html">http://h18000.www1.hp.com/products/quickspecs/13203_div/13203_div.html</a> (Smart Array P212 Controller)	
<a href="http://h18000.www1.hp.com/products/quickspecs/13201_div/13201_div.html">http://h18000.www1.hp.com/products/quickspecs/13201_div/13201_div.html</a> (Smart Array P410 Controller)	
<a href="http://h18000.www1.hp.com/products/quickspecs/13202_div/13202_div.html">http://h18000.www1.hp.com/products/quickspecs/13202_div/13202_div.html</a> (Smart Array P411 Controller)	
<a href="http://h18000.www1.hp.com/products/quickspecs/13200_div/13200_div.html">http://h18000.www1.hp.com/products/quickspecs/13200_div/13200_div.html</a> (Smart Array Advanced Pack)	
<b>SCSI HBA</b>	
HP SC11Xe Ultra320 Single Channel/ PCIe x4 SCSI Host Bus Adapter	412911-B21
<b>NOTE:</b> Please see the following QuickSpecs for Technical Specifications and additional information:	
<a href="http://h18000.www1.hp.com/products/quickspecs/12566_div/12566_div.html">http://h18000.www1.hp.com/products/quickspecs/12566_div/12566_div.html</a> (SC11Xe Host Bus Adapter)	

### HP Storage Options

<b>Fibre Channel HBA</b>	
<b>NOTE:</b> For the complete listing of Fibre Channel Host Bus Adapters for Windows 2000, Windows Server 2003 and Linux, please see:	
<a href="http://h18006.www1.hp.com/storage/saninfrastructure/hba.html">http://h18006.www1.hp.com/storage/saninfrastructure/hba.html</a>	
<b>Brocade Fibre Channel HBAs</b>	
HP 81B PCIe 8Gb Fibre Channel Single Port Host Bus Adapter	AP769A
HP 82B PCIe 8Gb Fibre Channel Dual Port Host Bus Adapter	AP770A
HP 41B PCIe 4Gb Fibre Channel Single Port Host Bus Adapter	AP767A
HP 42B PCIe 4Gb Fibre Channel Dual Port Host Bus Adapter	AP768A
<b>Emulex Fibre Channel HBAs</b>	
HP 81E 8Gb Single Port PCI-e Fibre Channel Host Bus Adapter	AJ762A
HP 82E 8Gb Dual Port PCI-e Fibre Channel Host Bus Adapter	AJ763A
HP FC2142SR 4Gb PCIe Host Bus Adapter	A8002A
HP FC2242SR 4Gb PCIe DC Host Bus Adapter	A8003A
<b>QLogic Fibre Channel HBAs</b>	
HP 81Q PCI-e Fibre Channel Host Bus Adapter	AK344A
HP 82Q 8Gb Dual Port PCI-e Fibre Channel Host Bus Adapter	AJ764A
HP FC1142SR 4Gb PCIe Host Bus Adapter	AE311A
HP FC1242SR 4Gb PCIe DC Host Bus Adapter	AE312A
<b>SCSI HBA</b>	



# QuickSpecs

## HP ProLiant SL165z Generation 7 (G7)

### Additional Options

HP U320e SCSI Dual Channel Host Bus Adapter	AH627A
<b>NOTE:</b> Recommended HBA for MSL SCSI Tape Library connect.	
<b>Converged Network Adapter</b>	
HP CN1100E Dual Port Converged Network Adapter	BK835A

---

### HP Disk Storage Systems

#### Disk Enclosures

HP D2600 Disk Enclosure	AJ940A
HP D2700 Disk Enclosure	AJ941A

**NOTE:** Please see the QuickSpecs for additional options and configuration information at:

[http://h18000.www1.hp.com/products/quickspecs/13404\\_div/13404\\_div.html](http://h18000.www1.hp.com/products/quickspecs/13404_div/13404_div.html)  
(Worldwide)

---

### HP SL Advanced Power Manager

**NOTE:** The SL Advanced Power Manager is an optional rack level solution for the HP ProLiant SL6000 which enables server-level DC (or hardware) power on and off and server-level monitoring. In addition, the SL APM will automatically discover SL hardware components which are connected into the SL APM solution.

**NOTE:** The SL APM does not replace rack PDUs, but is designed to enable the utilization of basic, low cost, rack PDUs while providing the functionality of 'switched' PDUs which provide hardware power on/off of individual servers by turning off the AC power to the power supplies of a given server. Because the SL servers share power supplies to optimize power efficiency, using 'switched' PDUs to turn off the power supplies in the chassis will result in the loss of all servers in that chassis. The SL APM solves this by allowing server-level hardware power on/off of the DC power to the individual server motherboards.

HP SL Advanced Power Manager Kit	538084-B21
----------------------------------	------------

HP SL Advanced Power Manager Distribution Module Kit	539264-B21
--	------------

**NOTE:** Connects up to 10 chassis.

HP SL APM Cable Kit	580212-B21
---------------------	------------

**NOTE:** 1 per SL APM Distribution module.

**NOTE:** Please see the UPS and PDU cable matrix's on the HP Power Protection and Management page. Under Power Cords, click on the "HP Power Cord Matrix" link. That link will list cable descriptions, requirements, and specifications for UPS and PDU units. Please see the following link: [www.hp.com/products/powercords](http://www.hp.com/products/powercords).

---



# QuickSpecs

## HP ProLiant SL165z Generation 7 (G7)

### Additional Options

#### HP Rack Series

HP Rack 10000 G2 Series (Carbon/Graphite Metallic)

HP 10642 G2 Pallet Universal Rack

AF001A

HP 10642 G2 Shock Universal Rack

AF002A

HP 10642 G2 1200mm deep Shock Rack

AF092A

HP 10647 G2 1200mm deep Shock Rack

AF094A

**NOTE:** HP ProLiant SL165z G7 models have two different rail kits to choose from:

- 10U bulk rail kit - Used to fit in HP 10000 series racks
  - One 10U bulk rail kit will hold up to five z6000 chassis, thus ten SL165z G7 servers
- 2U rail kit - Used to fit in 3rd party racks or to sell one z6000 chassis at a time

One 2U rail kit will hold one z6000 chassis, thus two SL165z servers

**NOTE:** It is mandatory to use a shock pallet when shipping racks with equipment installed.

**NOTE:** Please see the QuickSpecs for Technical Specifications and additional information:

[http://h18000.www1.hp.com/products/quickspecs/12402\\_div/12402\\_div.html](http://h18000.www1.hp.com/products/quickspecs/12402_div/12402_div.html)  
(Worldwide)

**NOTE:** For additional information regarding Rack Cabinets, please see the following URL: <http://www.hp.com/go/rackandpower>.

**NOTE:** The increasing power of new high-performance processor technology requires increased cooling efficiency for rack-mounted servers. The 10000 G2 Series Racks provide enhanced airflow for maximum cooling, allowing these racks to be fully loaded with servers using the latest processors.

**CAUTION:** If a third-party rack is used, observe the following additional requirements to ensure adequate airflow and to prevent damage to the equipment: Front and rear doors: If your 42U server rack includes closing front and rear doors, you must allow 830 square inches (5,350 sq cm) of hole evenly distributed from top to bottom to permit adequate airflow (equivalent to the required 64 percent open area for ventilation). Side: The clearance between the installed rack component and the side panels of the rack must be a minimum of 2.75 inches (7 cm).

**CAUTION:** Always use blanking panels to fill all remaining empty front panel U-spaces in the rack. This arrangement ensures proper airflow. Using a rack without blanking panels results in improper cooling that can lead to thermal damage.

**NOTE:** Quick deploy rail system provides tool-free support for racks with square or round mounting holes (including Compaq/HP 7000, 9000, 10000 G2 and HP series), with an adjustment range of 24" - 36". The ambidextrous cable management arm can be mounted on either the left or right side for improved cable management.

---

#### HP USB and SD Options

HP USB 2-Button Optical Scroll Mouse

DC172B

HP USB 04 Standard Keyboard

DT528A#ABA

---



# QuickSpecs

HP ProLiant SL165z Generation 7 (G7)

---

## Additional Options

HP Care Pack Services	<b>Hardware Services 4-Hour On-site Service</b>	
	HP 3 year 4 hour 24x7 ProLiant DL14x and DL16x Hardware Support	U9510E
	<b>Hardware Services Next Business Day On-Site Service</b>	
	HP 3 year Next business day ProLiant DL14x and DL16x Hardware Support	U9508E
	<b>Hardware Services 6-Hour Call to Repair On-Site Service</b>	
	HP Install ProLiant DL14x and DL16x Service	U9520E
	<b>LO100i Advanced Pack</b>	
	HP 3y 24x7 LO100i Adv Pack SW Support	UM748E
	<b>NOTE:</b> For more information, customer/resellers can contact: <a href="http://www.hp.com/services/carepack">http://www.hp.com/services/carepack</a> .	





# QuickSpecs

## HP ProLiant SL165z Generation 7 (G7)

### Memory

**NOTE:** Memory configurations listed do not apply to "Factory Integrated Models".

#### HP ProLiant SL165z G7 (all models)

##### Maximum Memory

Up to 246GB memory is available with the optional installation of Registered DIMM memory kits.

Memory should be installed in pairs and matched for optimum performance.

##### DDR3 memory population guidelines

For detailed memory configuration rules and guidelines, please use the Online DDR3 Memory Configuration Tool:

[www.hp.com/go/ddr3memory-configurator](http://www.hp.com/go/ddr3memory-configurator)

Some DIMM installation guidelines are summarized below:

- For servers with twenty-four (24) memory slots:
  - There are four (4) channels per processor; eight (8) channels per server
  - There are three (3) DIMM slots for each memory channel; twenty-four (24) total slots
  - Memory channel 1 consists of the three (3) DIMMs that are furthest from the processor
  - Memory channel 4 consists of the three (3) DIMMs that are closest to the processor
- Do not mix Unbuffered memory (UDIMMs) with Registered memory (RDIMMs)
- Do not install DIMMs if the corresponding processor is not installed
- If only one processor is installed in a 2CPU system, only half of the DIMM slots are available
- To maximize performance, balance the total memory capacity between all installed processors
- It is not required, but it is recommended to load the channels similarly if possible
- You can only have up to eight (8) ranks installed per channel
- Mixing DIMM speeds is allowed, but the system processor speed rules always override the DIMM capabilities
- If you do mix DIMM speeds, the memory bus will default to the minimum clock rate of all DIMMs in the system - even if the slower DIMM is on the other processor
- If you install 1x 1066MHz DIMM in channel 1 and 1x 1333MHz DIMM in channel 2, you still run at 1066MHz
- If you install 1x 1066MHz DIMM in channel 1 and 5x 1333MHz DIMMs with 1 DIMM Per Channel (DPC) in each of the other channels, you run at 1066MHz
- If you install 3DPC in one channel (if applicable) and 1DPC in all other channels, you run at 800MHz
- References to the above MHz speeds are for the various speeds of DDR3 DIMMs; 1333 refers to DDR3-1333, etc
- You can only install one quad-rank DIMMs per channel and it must be in the center socket
- You can only install two UDIMMs per channel; if available, the second (or middle) slot in the channel must remain empty
- Populate DIMMs from heaviest load (quad-rank) to lightest load (single-rank) within a channel
- Heaviest load (DIMM with most ranks) within a channel goes furthest from the chipset



# QuickSpecs

## HP ProLiant SL165z Generation 7 (G7)

### Memory

DIMM Type ->	Registered DIMMS (RDIMMs)				Unbuffered with ECC DIMMs (UDIMMs)	
DIMM Rank ->	Single Rank	Dual Rank (2R)		Quad Rank (4R)	Dual Rank (2R)	
DIMM Capacity ->	4GB	2GB	8GB	16GB	2GB	4GB
DIMM Native Speed (MHz) - >	1333	1333	1333	1066	1333	1333
Voltage	LV/Std	Std	LV/Std	Std	Std	Std
<b>SLOTS THAT CAN BE POPULATED</b>						
24 slot servers	24	24	24	8	16	16
<b>MAXIMUM CAPACITY (GB)</b>						
24 slot servers	96	48	192	256*	32	64
<b>POPULATED DIMM SPEED (MHz)</b>						
1 DIMM Per Channel	1066/1333**	1333	1066/1333**	1066	1333	1333
2 DIMM Per Channel	1066/1333**	1333	1066/1333**	n/a	1333	1333
3 DIMM Per Channel	1066/1333**	1066	1066	n/a	n/a	n/a
* This capacity is achieved by loading 1 16GB in center socket and remaining sockets with 8GB DIMMs						
** LV runs at 1066/Std voltage runs at 1333						

### DIMM slot and configuration diagrams

#### Basic memory slot & population diagram

- Population order; start with "A" first, "B" second, "C" third, etc.

24 DIMM SLOTS (12 per CPU node)					
	CPU1		CPU2		
	slot #	population order	slot #	population order	
Chnl 1	1	A	1	A	Chnl 1
	2	I	2	I	
	3	E	3	E	
Chnl 2	4	C	4	C	Chnl 2
	5	K	5	K	
	6	G	6	G	
Chnl 3	7	B	7	B	Chnl 3
	8	J	8	J	
	9	F	9	F	
Chnl 4	10	D	10	D	Chnl 4
	11	L	11	L	
	12	H	12	H	



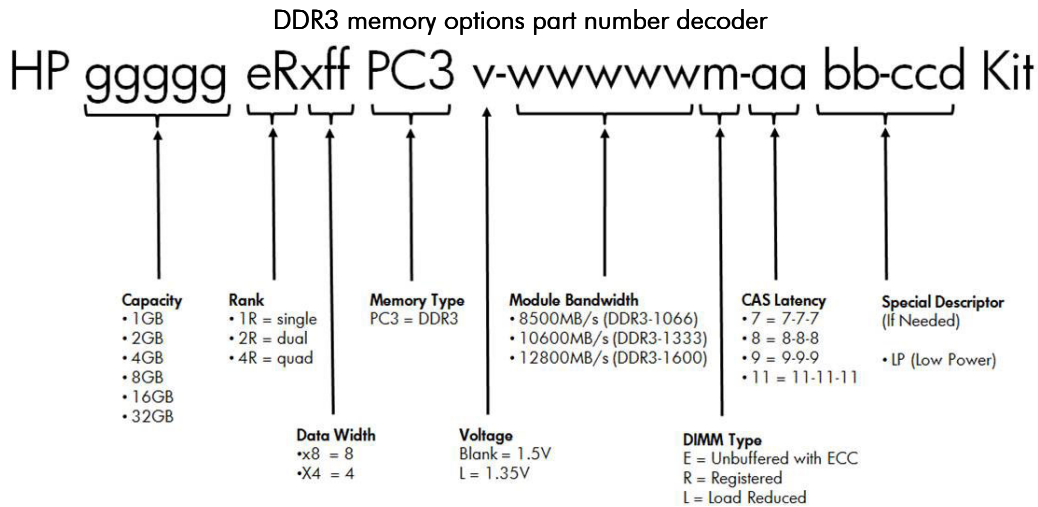
# QuickSpecs

## HP ProLiant SL165z Generation 7 (G7)

### Memory

NOTE: Capacity references are rounded to the common Gigabyte values.

- 2GB = 2048MB
- 4GB = 4096MB
- 8GB = 8192MB
- 16GB = 16384MB



Following are memory options available from HP:

#### HP Memory

##### Registered DIMMs (RDIMMs)

HP 2GB (1x2GB) Dual Rank x8 PC3-10600 (DDR3-1333) Registered CAS-9 Memory Kit	593907-B21
HP 4GB (1x4GB) Single Rank x4 PC3-10600 (DDR3-1333) Registered CAS-9 Memory Kit	593911-B21
HP 4GB (1x4GB) Single Rank x4 PC3L-10600 (DDR3-1333) Registered CAS-9 Low Power Memory Kit	604500-B21
HP 8GB (1x8GB) Dual Rank x4 PC3L-10600 (DDR3-1333) Registered CAS-9 Low Power Memory Kit	604502-B21
HP 8GB (1x8GB) Dual Rank x4 PC3-10600 (DDR3-1333) Registered CAS-9 Memory Kit	593913-B21
HP 16GB (1x16GB) Quad Rank x4 PC3-8500 (DDR3-1066) Registered CAS-7 Memory Kit	593915-B21

##### Unbuffered with ECC DIMMs (UDIMMs)

HP 2GB (1x2GB) Dual Rank x8 PC3-10600 (DDR3-1333) Unbuffered CAS-9 Memory Kit	593921-B21
HP 4GB (1x4GB) Dual Rank x8 PC3-10600 (DDR3-1333) Unbuffered CAS-9 Memory Kit	593923-B21

NOTE: All DDR3 memory option kits consist of one DIMM per kit. For detailed memory configuration rules and guidelines, please use the Online DDR3 Memory Configuration Tool: [www.hp.com/go/ddr3memory-configurator](http://www.hp.com/go/ddr3memory-configurator).

NOTE: Kits described as LP include Low Power DIMMs. For more information on ProLiant Energy Efficient Features, see: <http://www.hp.com/go/proliant-energy-efficient>



# QuickSpecs

HP ProLiant SL165z Generation 7 (G7)

---

## Memory

efficient

**NOTE:** There is a maximum support limitation of 8 ranks per memory channel (maximum of 2 quad rank DIMMs per channel)

**NOTE:** PC3L is a low voltage memory.

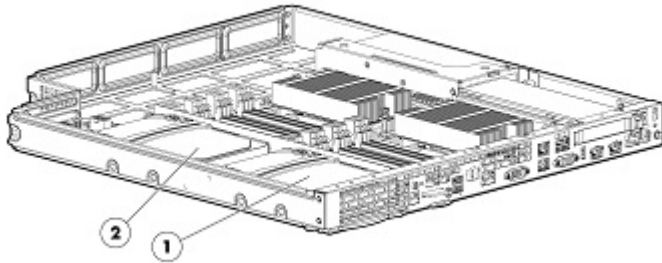


# QuickSpecs

## HP ProLiant SL165z Generation 7 (G7)

### Storage

- 1-2 Non-hot plug SATA hard drive bays - Using quick release carrier



### Drive Support

#### Hard Drives

**NOTE:** The components of a storage subsystem (e.g. the drive, the HBA/controller, firmware, and the server backplane) should operate at the same data transfer rate or the system bandwidth will be negotiated down to an acceptable level for all components.

**NOTE:** Hard drives have either a one year or three year warranty.

#### SAS Non-Hot Plug LFF (3.5-inch) Enterprise (ENT) Drives - with quick-release (QR) carrier

	Quantity Supported	Position Supported	Controller
600GB 6G SAS 10K	Up to 2	1-2	HP Smart Array P212/Zero Memory Controller
300GB 6G SAS 10K			HP Smart Array P212/256 MB Controller
			<b>NOTE:</b> HP P212 SAS 4HDD Cable Kit is required when adding SAS hard drives using the P212 controller.
			HP Smart Array P410/256MB Controller
			HP Smart Array P410/512MB with BBWC
			<b>NOTE:</b> HP P410 SAS 4HDD Cable Kit is required when adding SAS hard drives using the P410 controller.

#### SAS Non-Hot Plug SFF (2.5-inch) Enterprise (ENT) Drives - with quick-release (QR) carrier

	Quantity Supported	Position Supported	Controller
300GB 6G SAS 10K	Up to 4	1-4	HP Smart Array P212/Zero Memory Controller
			HP Smart Array P212/256 MB Controller
			<b>NOTE:</b> HP P212 SAS 4HDD Cable Kit is required when adding SAS hard drives using the P212 controller.
			HP Smart Array P410/256MB Controller
			HP Smart Array P410/512MB with BBWC
			<b>NOTE:</b> HP P410 SAS 4HDD Cable Kit is required when adding SAS hard drives using the P410 controller.

#### SAS Non-Hot Plug LFF (3.5-inch) Midline (MDL) Drives - with quick-release (QR) carrier



# QuickSpecs

## HP ProLiant SL165z Generation 7 (G7)

### Storage

	Quantity Supported	Position Supported	Controller
2TB 6G SAS 7.2K	Up to 2	1-2	HP Smart Array P212/Zero Memory Controller HP Smart Array P212/256 MB Controller <b>NOTE:</b> HP P212 SAS 4HDD Cable Kit is required when adding SAS hard drives using the P212 controller. HP Smart Array P410/256MB Controller HP Smart Array P410/512MB with BBWC <b>NOTE:</b> HP P410 SAS 4HDD Cable Kit is required when adding SAS hard drives using the P410 controller.

### SATA Non-Hot Plug LFF (3.5-inch) Entry (ETY) Drives - with quick-release (QR) carrier

	Quantity Supported	Position Supported	Controller
160GB 3G SATA 7.2K	Up to 2	1-2	HP Embedded SATA Controller

### SATA Non-Hot Plug LFF (3.5-inch) Midline (MDL) Drives - with quick-release (QR) carrier

	Quantity Supported	Position Supported	Controller
2TB 3G SATA 7.2K 1TB 3G SATA 7.2K 500GB 3G SATA 7.2K	Up to 2	1-2	HP Embedded SATA Controller

### SATA Non-Hot Plug SFF (2.5-inch) Midline (MDL) Drives - with quick-release (QR) carrier

	Quantity Supported	Position Supported	Controller
1TB 3G SATA 7.2K 500GB 3G SATA 7.2K	Up to 4	1-4	HP Embedded SATA Controller

### External Storage

	Quantity Supported	Position Supported	Controller
D2700 Disk Enclosure			



# QuickSpecs

## HP ProLiant SL165z Generation 7 (G7)

### Power Specifications

HP 460W Common Slot Platinum Hot Plug Power Supply Kit							
Part Number	593188-B21						
Input Voltage Range (Vrms)	100 to 240						
Frequency Range (Nominal) (Hz)	50/60						
Nominal Input Voltage (Vrms)	100	120	200	208	220	230	240
Maximum Rated Output Wattage Rating	460	460	460	460	460	460	460
Nominal Input Current (A rms)	5.3	4.3	2.5	2.4	2.3	2.2	2.1
Maximum Rated Input Wattage Rating (Watts)	512	505	493	493	492	492	491
Maximum Rated VA (Volt-Amp)	526	518	506	506	505	505	504
Efficiency (%)	89.8	91.2	93.2	93.3	93.5	93.6	93.6
Power Factor	0.985						
Leakage Current (mA)	0.42	0.50	0.83	0.87	0.92	0.96	1.00
Maximum Inrush Current (A peak)	30						
Maximum Inrush Current duration (mS)	20						
Maximum British Thermal Unit Rating (BTU-Hr)	1747	1722	1683	1682	1679	1678	1677

HP 460W Common Slot Gold Hot Plug Power Supply Kit							
Part Number	503296-B21						
Input Voltage Range (Vrms)	100 to 240						
Frequency Range (Nominal) (Hz)	50/60						
Nominal Input Voltage (Vrms)	100	120	200	208	220	230	240
Maximum Rated Output Wattage Rating	460	460	460	460	460	460	460
Nominal Input Current (A rms)	5.5	4.5	2.6	2.5	2.4	2.3	2.2
Maximum Rated Input Wattage Rating (Watts)	526	520	505	505	503	503	503
Maximum Rated VA (Volt-Amp)	548	542	527	527	524	524	524
Efficiency (%)	87.5	88.5	91	91	91.5	91.5	91.5
Power Factor	0.97	0.97	0.97	0.97	0.97	0.97	0.97
Leakage Current (mA)	0.42	0.50	0.83	0.87	0.92	0.96	1.00
Maximum Inrush Current (A peak)	30						
Maximum Inrush Current duration (mS)	20						
Maximum British Thermal Unit Rating (BTU-Hr)	1794	1773	1725	1725	1715	1715	1715



# QuickSpecs

## HP ProLiant SL165z Generation 7 (G7)

### Power Specifications

HP 750W Common Slot Platinum Hot Plug Power Supply Kit							
Part Number	593831-B21						
Input Voltage Range (Vrms)	100 to 240						
Frequency Range (Nominal) (Hz)	50/60						
Nominal Input Voltage (Vrms)	100	120	200	208	220	230	240
Maximum Rated Output Wattage Rating	750	750	750	750	750	750	750
Nominal Input Current (A rms)	8.6	7.1	4.2	4.0	3.8	3.6	3.4
Maximum Rated Input Wattage Rating (Watts)	841	828	809	808	807	806	805
Maximum Rated VA (Volt-Amp)	863	850	830	829	828	827	826
Efficiency (%)	89.2	90.6	92.7	92.8	93	93.1	93.2
Power Factor	0.985						
Leakage Current (mA)	0.42	0.50	0.83	0.87	0.92	0.96	1.00
Maximum Inrush Current (A peak)	30						
Maximum Inrush Current duration (mS)	20						
Maximum British Thermal Unit Rating (BTU-Hr)	2868	2825	2761	2757	2753	2749	2747

HP 750W Common Slot Gold Hot Plug Power Supply Kit							
Part Number	512327-B21						
Input Voltage Range (Vrms)	100 to 240						
Frequency Range (Nominal) (Hz)	50/60						
Nominal Input Voltage (Vrms)	100	120	200	208	220	230	240
Maximum Rated Output Wattage Rating	750	750	750	750	750	750	750
Nominal Input Current (A rms)	8.9	7.4	4.3	4.1	3.9	3.7	3.6
Max Rated Input Wattage Rating (Watts)	857	847	824	824	820	820	820
Maximum Rated VA (Volt-Amp)	894	884	859	854	854	854	854
Efficiency (%)	87.5	88.5	91	91	91.5	91.5	91.5
Power Factor	0.97	0.97	0.97	0.97	0.97	0.97	0.97
Leakage Current (mA)	0.42	0.50	0.83	0.87	0.92	0.96	1.00
Maximum Inrush Current (A peak)	30						
Maximum Inrush Current duration (mS)	20						
Maximum British Thermal Unit Rating (BTU-Hr)	2925	2892	2812	2812	2797	2797	2797





# QuickSpecs

## HP ProLiant SL165z Generation 7 (G7)

### Power Specifications

HP 1200W Common Slot Platinum Hot Plug Power Supply Kit							
Part Number	578322-B21						
Input Voltage Range (Vrms)	100 to 240						
Frequency Range (Nominal) (Hz)	50/60						
Nominal Input Voltage (Vrms)	100	120	200	208	220	230	240
Maximum Rated Output Wattage Rating	800	900	1200	1200	1200	1200	1200
Nominal Input Current (A rms)	9.3	8.6	6.7	6.5	6.1	5.8	5.6
Maximum Rated Input Wattage Rating (Watts)	889	989	1290	1290	1290	1290	1290
Maximum Rated VA (Volt-Amp)	927	1031	1345	1345	1345	1345	1345
Efficiency (%)	90	91	93	93	93	93	93
Power Factor	0.97						
Leakage Current (mA)	0.42	0.50	0.83	0.87	0.92	0.96	1.00
Maximum Inrush Current (A peak)	30						
Maximum Inrush Current duration (mS)	10						
Maximum British Thermal Unit Rating (BTU-Hr)	3033	3375	4403	4403	4403	4403	4403

HP 1200W Common Slot Silver Hot Plug Power Supply Kit							
Part Number	500172-B21						
Operational Input Voltage Range (Vrms)	100 to 240						
Frequency Range (Nominal) (Hz)	50/60						
Nominal Input Voltage (Vrms)	100	120	200	208	220	230	240
Maximum Rated Output Wattage Rating	800	900	1200	1200	1200	1200	1200
Nominal Input Current (A rms)	9.7	9.0	7.0	6.8	6.4	6.1	5.9
Maximum Rated Input Wattage Rating (Watts)	930	1034	1348	1348	1348	1348	1348
Maximum Rated VA (Volt-Amp)	970	1079	1406	1406	1406	1406	1406
Efficiency (%)	86	87	89	89	89	89	89
Power Factor	0.97	0.97	0.97	0.97	0.97	0.97	0.97
Leakage Current (mA)	0.42	0.50	0.83	0.87	0.92	0.96	1.00
Maximum Inrush Current (A peak)	30						
Maximum Inrush Current duration (mS)	20						
Maximum British Thermal Unit Rating (BTU-Hr)	3174	3530	4600	4600	4600	4600	4600

To review typical system power ratings use the Active Answers HP Power Advisor which is available via the online tool located at URL: [www.hp.com/go/proliant-energy-efficient](http://www.hp.com/go/proliant-energy-efficient) or [www.hp.com/go/hppoweradvisor](http://www.hp.com/go/hppoweradvisor)



# QuickSpecs

## HP ProLiant SL165z Generation 7 (G7)

### Technical Specifications

<b>System Unit</b>	<b>Dimensions</b> (H x W x D) (with bezel)	3.46 x 17.64 x 28.1 in (8.79 x 44.80 x 71.37 cm)		
	<b>Weight</b> (approximate)	Maximum (all hard drives, power supplies, and processors installed)	53.7 lb (24.35 kg)	
	<b>Input Requirements</b> (per power supply)	Rated Line Voltage	90 to 132 VAC 180 to 264 VAC	
		Rated Input Current	5.8 Amps (at 100 VAC) to 2.9 Amps (at 200 VAC)	
		Rated Input Frequency	47 to 63 Hz	
		Rated Input Power	570W (at 100 VAC) 565W (at 200 VAC)	
	<b>BTU Rating</b>	Maximum	460W - 1773 BTU / hr (at 120 VAC), 1715 (at 240 VAC) 750W - 2892 BTU / hr (at 120 VAC), 2797 (at 240 VAC)	
	<b>Power Specifications</b>	To review typical system power ratings use the Power Advisor which is available via the online tool located at URL: <a href="http://www.hp.com/go/hppoweradvisor">www.hp.com/go/hppoweradvisor</a>		
		<ul style="list-style-type: none"> <li>- Click on the system of interest. Example: SL165 G7</li> <li>- Follow the instructions of the next screens.</li> </ul>		
	<b>System Inlet Temperature</b>	Operating	10° to 35°C (50° to 95°F) at sea level with an altitude derating of 1.0°C per every 305 m (1.8°F per every 1000 ft) above sea level to a maximum of 3050 m (10,000 ft), no direct sustained sunlight. Maximum rate of change is 10°C/hr (18°F/hr). The upper limit may be limited by the type and number of options installed. System performance may be reduced if operating with a fan fault or above 30°C (86°F).	
Non-operating		-30° to 60°C (-22° to 140°F). Maximum rate of change is 20°C/hr (36°F/hr).		
<b>Relative Humidity</b> (non-condensing)	Operating	10 to 90% relative humidity (Rh), 28°C (82.4°F) maximum wet bulb temperature, non-condensing.		
	Non-operating	5 to 95% relative humidity (Rh), 38.7°C (101.7°F) maximum wet bulb temperature, non-condensing.		
<b>Altitude</b>	Operating	3050 m (10,000 ft). This value may be limited by the type and number of options installed. Maximum allowable altitude change rate is 457 m/min (1500 ft/min).		
	Non-operating	9144 m (30,000 ft). Maximum allowable altitude change rate is 457 m/min (1500 ft/min).		



# QuickSpecs

## HP ProLiant SL165z Generation 7 (G7)

### Technical Specifications

<b>Acoustic Noise</b>	Listed are the declared A-Weighted sound power levels (LWAd) and declared average bystander position A-Weighted sound pressure levels (LpAm) when the product is operating in a 23°C ambient environment. Noise emissions were measured in accordance with ISO 7779 (ECMA 74) and declared in accordance with ISO 9296 (ECMA 109).	
	<b>Idle</b>	
	<i>LWAd</i>	6.82 B
	<i>LpAm</i>	51.93 dBA
	<b>Operating</b>	
	<i>LWAd</i>	6.84 B
	<i>LpAm</i>	51.93 dBA
<b>Emissions Classification (EMC)</b>	FCC Rating	Class A
	Normative Standards	CISPR 22; EN55022; EN55024; FCC CFR 47, Pt 15; ICES-003; CNS13438; GB9254; K22;K24; EN 61000-3-2; EN 61000-3-3; EN 60950-1; IEC 60950-1

**NOTE:** Product conformance to cited product specifications is based on sample (type) testing, evaluation, or assessment. This product or family of products is eligible to bear the appropriate compliance logos and statements.

---

<b>HP Embedded B110i SATA RAID Controller (RAID 0, 1, 10)</b>	<b>Drives Supported</b>	Up to 4 SATA devices
	<b>Channels</b>	(4) 1.5Gb SATA
	<b>Storage Capacity</b>	4.0TB internal storage
	<b>Data Transfer Method</b>	32-bit/33-MHz PCI bus-master
	<b>Maximum SATA Channel Transfer Rate</b>	1.5Gb/s per channel
	<b>Maximum Transfer Rate per PCI Bus (peak)</b>	266 MB/s per channel
	<b>Protocols</b>	SATA
		PIO Mode [0-4]
	<b>Cable</b>	SATA
	<b>Internal ATA Connectors</b>	Four SATA connectors

---



# QuickSpecs

## HP ProLiant SL165z Generation 7 (G7)

### Technical Specifications

Two NC362i Integrated Dual Port Gigabit Server Adapter	<b>Network Interface</b>	Integrated 10/100/1000BASE-T Transceiver Combines a triple-speed IEEE 802.3TM - Compliant Media Access Controller (MAC) with a triple-speed Ethernet transceiver.
	<b>Data Transfer Method</b>	Compliant to x1 PCIe Specification
	<b>Controller</b>	Intel® 82576
	<b>Network Transfer Rate</b>	10Base-T (Half-Duplex)
		10Base-T (Full-Duplex)
		100Base-TX (Half-Duplex)
		100Base-TX (Full-Duplex)
	<b>Connector</b>	1000Base-TX (Half and Full-Duplex)
		RJ-45 connector
	<b>Cable Support</b>	Performs all the physical layer functions for 10BASE-T, 100BASE-T, and 1000BASE-T Ethernet on standard Category 5 UTP

---

<b>Environment-friendly Products and Approach</b>	<b>End-of-life Management and Recycling</b>	Hewlett-Packard offers end-of-life HP product return, trade-in, and recycling programs in many geographic areas. For trade-in information, please go to: <a href="http://www.hp.com/go/green">http://www.hp.com/go/green</a> . To recycle your product, please go to: <a href="http://www.hp.com/go/green">http://www.hp.com/go/green</a> or contact your nearest HP sales office. Products returned to HP will be recycled, recovered or disposed of in a responsible manner.
---	---	--

The EU WEEE directive (2002/95/EC) requires manufacturers to provide treatment information for each product type for use by treatment facilities. This information (product disassembly instructions) is posted on the Hewlett Packard web site at: <http://www.hp.com/go/green>. These instructions may be used by recyclers and other WEEE treatment facilities as well as HP OEM customers who integrate and re-sell HP equipment.

---

© Copyright 2012 Hewlett-Packard Development Company, L.P.

The information contained herein is subject to change without notice.

Microsoft and Windows NT are US registered trademarks of Microsoft Corporation. AMD, Opteron, and Hyper-Transport are trademarks of AMD Corporation in the United States and other countries.

The only warranties for HP products and services are set forth in the express warranty statements accompanying such products and services. Nothing herein should be construed as constituting an additional warranty. HP shall not be liable for technical or editorial errors or omissions contained herein.

For hard drives, 1GB = 1 billion bytes. Actual formatted capacity is less.

